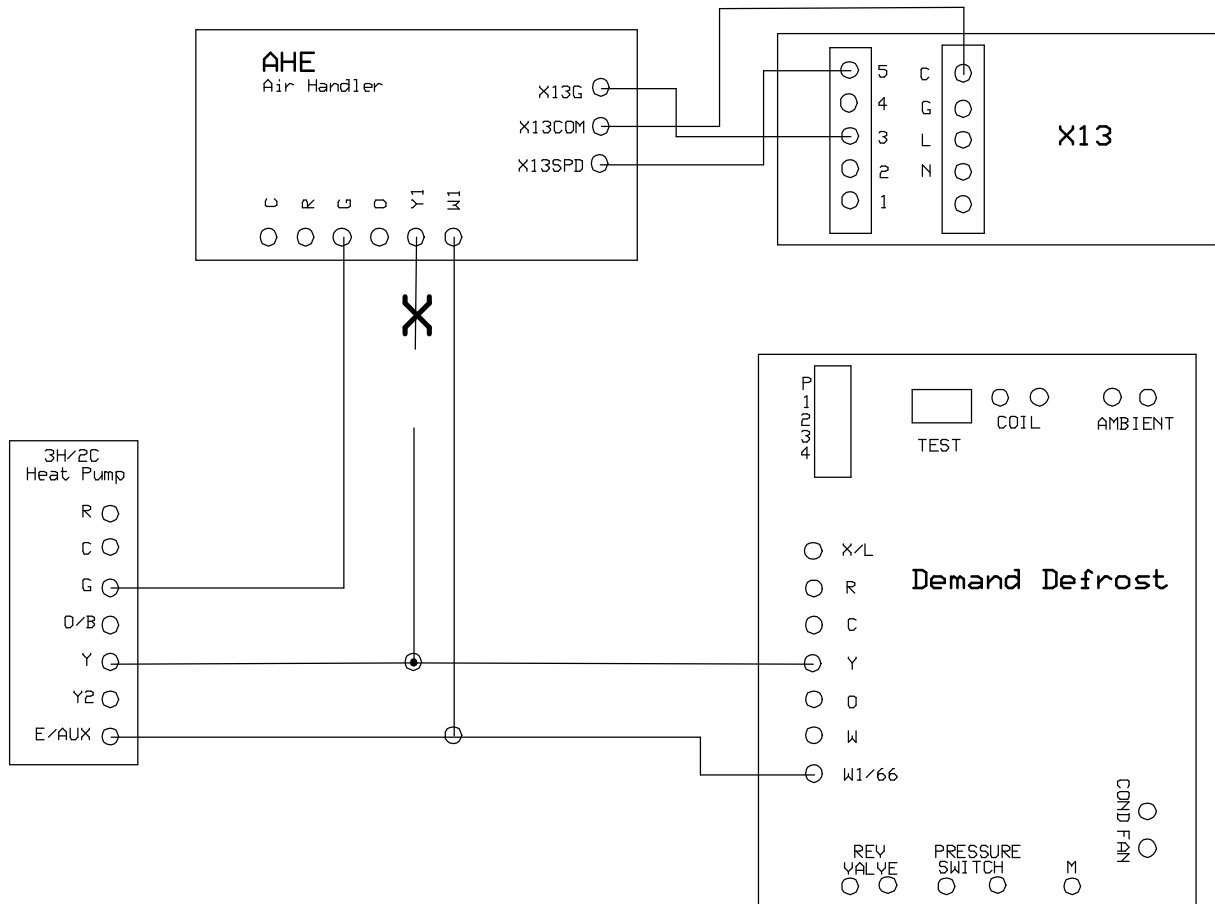




## AHE air handler wiring



1. The blower board has 2 outputs, X13G and X13SPD
  - a. X13G is energized with an input at G
  - b. X13SPD is energized with an input at W1 and/or Y1.
  - c. Compressor heat/cool fan speed is energized with a G input and the Electric heat strip airflow will be energized with input at W1.
  - d. If Y1 is energized during compressor heat the airflow could be the wrong setting.