



TECHNICAL GUIDE

AFFINITY

SPLIT-SYSTEM AIR CONDITIONERS

13 SEER – R-410A

MODELS:

CZB018 THRU 060

(1.5 THRU 5 NOMINAL TONS)



Due to continuous product improvement, specifications are subject to change without notice.

Visit us on the web at www.york.com

Additional rating information can be found at www.ahridirectory.org

WARRANTY

Standard 5-year limited parts warranty.
10-year limited compressor warranty.

Extended 10-year limited parts warranty when product is registered online within 90 days of purchase for replacement or closing for new home construction.

DESCRIPTION

The 13 SEER Series unit is the outdoor part of a versatile climate system. It is designed with a matching indoor coil component from Johnson Controls Unitary Products. Available for typical applications this climate system is supported with accessories and documents to serve specific functions.

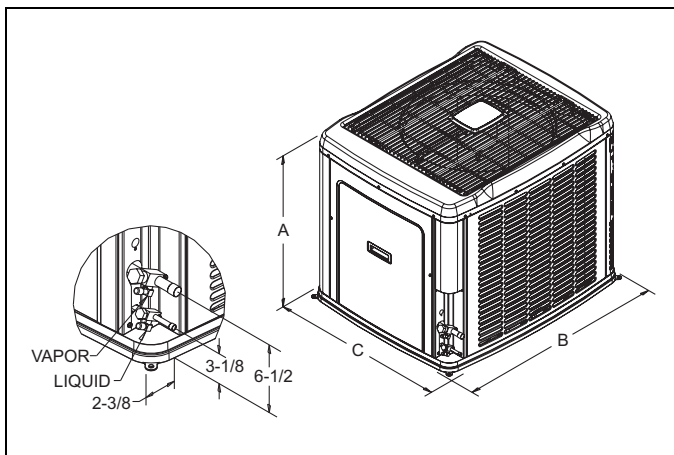
FEATURES

- **Superior Coil Protection** – A stamped decorative metal coil guard completely protects coil from debris and other large damaging material while a polymer mesh further protects the coil against smaller particles.
- **Color Grilles** - Engineered around the needs and wants of the consumer, Affinity units are now available with a choice of color options designed to compliment any home.
- **Isolated Compressor Compartment** – A molded composite bulkhead isolates the compressor from the rest of the unit reducing sound and vibration.
- **Protected Compressors** – Each compressor is protected against abnormal pressures by an internal pressure relief valve and factory installed high and low pressure controls. Additional protection against moisture and debris is provided by factory installed liquid line filter driers.
- **Environmentally Friendly Refrigerant** – Next generation refrigerant R-410A delivers environmentally friendly performance with zero ozone depletion.
- **Durable Finish** – Automotive quality finish provides the ultimate protection from harmful U.V. rays and rust creep ensuring long-lasting high quality appearance. A powder-paint topcoat is applied over a baked-on primer, using a galvanized, zinc coated steel base material. The result is a finish that has been proven in testing to provide 33% greater durability than conventional powder-coat finishes.
- **Lower Installed Cost** – Designed to provide enhanced instability by featuring a slide-down control compartment and angled service valves to reduce overall installation time and cost.
- **Low Operating Sound Levels** – A fan design boasting technology adapted from aeronautic and defense engineering provides for whisper quiet operation by allowing airflow to flow smoothly and efficiently across the fan tips.
- **Filter-Drier** – A factory installed, solid core liquid line filter-drier filters harmful debris and moisture from the system.
- **Easy Service Access** – A full end, full service, access panel with handle makes for easy entry to internal components.
- **Composite Base** - Strong and durable composite base pan resists rust and corrosion while it helps reduce vibrations and noise.
- **Quiet drive system** - Features combination of swept-wing fan, composite base pan, isolated compressor compartment and two-stage compressor to reduce overall sound to a mere whisper.
- **Low RPM fan motor** - Helps to reduce airflow noise.
- **Agency Listed** - U.L. and C.U.L. listed - approved for outdoor application. The unit is certified in accordance with the Unitary Small Equipment certification program, which is based on ARI Standard 210/240.

PHYSICAL AND ELECTRICAL DATA

MODEL	CZB01811	CZB02411	CZB03011	CZB03611	CZB04211	CZB04811	CZB06011	
Unit Supply Voltage	208-230V, 1 ϕ , 60Hz							
Normal Voltage Range ¹	187 to 252							
Minimum Circuit Ampacity	13.3	16.5	18.9	22.3	28.7	31.1	34.4	
Max. Overcurrent Device Amps ²	20	25	30	35	50	50	60	
Min. Overcurrent Device Amps ³	15	20	20	25	30	35	35	
Compressor Type	Scroll	Scroll	Scroll	Scroll	Scroll	Scroll	Scroll	
Compressor Amps	Rated Load	10.3	14.3	16.4	16.6	21.8	23.7	26.3
	Locked Rotor	51	60	73	88	105	150	150
Crankcase Heater	No	No	No	No	No	No	No	
Fan Motor Amps	Rated Load	0.5	0.5	0.5	1.5	1.5	1.5	1.5
Fan Diameter Inches	22	22	22	22	22	22	22	
Fan Motor	Rated HP	1/15	1/15	1/15	1/4	1/4	1/4	1/4
	Nominal RPM	850	850	850	850	850	850	850
	Nominal CFM	2100	2,250	2,300	3,200	3,250	3,500	3,500
Coil	Face Area Sq. Ft.	14.86	14.86	17.15	17.15	20.58	20.58	20.58
	Rows Deep	1	1	1	1	1	1	2
	Fins / Inch	22	22	22	22	22	22	22
Liquid Line Set OD (Field Installed)	3/8	3/8	3/8	3/8	3/8	3/8	3/8	
Vapor Line Set OD (Field Installed)	3/4	3/4	3/4	3/4	7/8	7/8	7/8	
Unit Charge (Lbs. - Oz.) ⁴	5-13	6-4	7-4	6-4	8-13	8-12	13-9	
Charge Per Foot, Oz.	0.62	0.62	0.62	0.62	0.67	0.67	0.67	
Operating Weight Lbs.	165	170	190	190	205	215	260	

1. Rated in accordance with ARI Standard 110, utilization range "A".
2. Dual element fuses or HACR circuit breaker. Maximum allowable overcurrent protection.
3. Dual element fuses or HACR circuit breaker. Minimum recommended overcurrent protection.
4. The Unit Charge is correct for the outdoor unit, matched indoor coil and 15 feet of refrigerant tubing. For tubing lengths other than 15 feet, add or subtract the amount of refrigerant, using the difference in length multiplied by the per foot value.



All dimensions are in inches. They are subject to change without notice. Certified dimensions will be provided upon request.

DIMENSIONS

Unit Model	Dimensions (Inches)			Refrigerant Connection Service Valve Size	
	A	B	C	Liquid	Vapor
018	29-1/2	37	31	3/8"	3/4"
024	29-1/2	37	31		
030	33-1/2	37	31		
036	33-1/2	37	31		
042	39-1/2	37	31		
048	39-1/2	37	31	7/8"	
060	39-1/2	37	31		

System Charge for Various Matched Systems							
Outdoor Unit	CZB01811	CZB02411	CZB03011	CZB03611	CZB04211	CZB04811	CZB06011
Unit Orifice (s)	1TVM4F1	1TVM4G1	1TVM4G1	1TVM4G1	1TVM4H1	1TVM4J1	1TVM4J1
Factory Charge, lbs-oz	5-13	6-4	7-4	6-4	8-13	8-12	13-9
Indoor Coil ^{1,2}	Additional Charge, oz						
AHP18	0	-	-	-	-	-	-
AHP24	2	2	-	-	-	-	-
AHP30	-	-	9	-	-	-	-
AHP36	-	-	14	12	-	-	-
AHP42	-	-	-	12	-	-	-
AHP/SHP48	-	-	-	-	16	9	-
AHP/SHP60	-	-	-	-	16	9	7
AHX18	0	0	-	-	-	-	-
AHX24	11	10	-	-	-	-	-
AHX30	14	13	8	-	-	-	-
AHX36	-	20	14	12	-	-	-
AHX42	-	-	25	22	11	-	-
AHX48	-	-	24	21	10	9	-
AHX60	-	-	-	27	16	14	12
AV24	2	2	-	-	-	-	-
AV36	21	20	15	12	-	-	-
AV/SV48	-	-	-	21	11	9	-
AV/SV60	-	-	-	-	11	9	7
F*FP024	0	-	-	-	-	-	-
F*FP036	-	-	6	4	-	-	-
F*FP048	-	-	-	15	11	-	-
F*FV060	-	-	-	-	-	9	7
F6FP018	0	-	-	-	-	-	-
F6FP024	3	3	-	-	-	-	-
F6FP030	14	13	9	-	-	-	-
F6FP036	-	13	9	6	-	-	-
F6FP042	-	-	18	15	11	-	-
F6FP048	-	-	11	9	0	9	-
F6FP060	-	-	-	27	16	14	12
FC/MC/PC18	0	-	-	-	-	-	-
FC/MC/PC24	4	0	-	-	-	-	-
FC/MC/PC30	4	4	0	-	-	-	-
FC/MC/PC32	-	13	9	-	-	-	-
FC/MC/PC35	-	-	9	3	-	-	-
FC/MC/PC36	-	-	2	0	-	-	-
FC/MC/PC37	-	-	14	12	-	-	-
FC/MC/PC42	-	-	-	2	-	-	-
FC/MC/PC43	-	-	-	12	2	-	-
FC/MC/PC48	-	-	-	22	11	9	-
FC/MC/PC60	-	-	-	-	-	9	7
FC/MC62	-	-	-	-	-	14	14
HC18	0	-	-	-	-	-	-
HC30	-	10	6	-	-	-	-
HC36	-	-	9	6	-	-	-
HC42	-	-	-	12	2	1	-
HC60	-	-	-	-	0	0	0
HD24	21	18	-	-	-	-	-
HD36	-	-	14	16	-	-	-
HD48	-	-	-	31	27	-	-
HD60	-	-	-	-	26	24	20

For Notes See Page 4.

System Charge for Various Matched Systems (Continued)							
Outdoor Unit	CZB01811	CZB02411	CZB03011	CZB03611	CZB04211	CZB04811	CZB06011
Unit Orifice (s)	1TVM4F1	1TVM4G1	1TVM4G1	1TVM4G1	1TVM4H1	1TVM4J1	1TVM4J1
Factory Charge, lbs-oz	5-13	6-4	7-4	6-4	8-13	8-12	13-9
Indoor Coil^{1,2}	Additional Charge, oz						
UC18	1	–	–	–	–	–	–
UC24	5	5	–	–	–	–	–
UC30	5	5	1	–	–	–	–
UC36	–	–	1	1	–	–	–
UC42	–	–	–	1	–	–	–
UC48	–	–	–	16	6	3	–
UC60	–	–	–	–	–	9	7

FOOTNOTES:

1. Systems matched with furnace or air handlers not equipped with blower-off delays may require blower Time Delay Kit 2FD06700224.
2. PC coils cannot be used in downflow or horizontal applications. FC coils cannot be used in horizontal applications.

PROCEDURES:

1. Unit factory charge listed on the unit nameplate includes refrigerant for the condenser, the smallest evaporator and 15 feet of interconnecting line tubing.
2. Verify the TXV and additional charge required for specific evaporator coil in the system using the above table.
3. Additional charge for the amount of interconnecting line tubing greater than 15 feet at the rate specified in Physical and Electrical Data Table.
4. For TXV matches requiring additional charge, the refrigerant needs to be weighed in for specific coil match and lineset length.
5. Permanently mark the unit nameplate with the total system charge. Total System Charge = Base Charge (as shipped) + adder for evaporator + adder for line set.

COOLING CAPACITY - With Air Handler Coils

UNIT MODEL	AIR HANDLER		COIL MODEL ¹	COOLING				
	MODEL	W		RATED CFM	NET MBH		SEER	EER
					TOTAL	SENS.		
1 PH 13 SEER AC WITH MA								
CZB01811	MA08B	17	FC/MC18B	600	18.0	12.1	13.00	11.00
	MA08B	17	FC/MC24B	600	18.0	12.1	13.00	11.00
	MA08B	17	FC/MC30B	600	18.0	12.1	13.00	11.00
CZB02411	MA08B	17	FC/MC24B	800	23.2	16.9	13.00	11.00
	MA08B	17	FC/MC30B	800	23.2	16.9	13.00	11.00
CZB03011	MA12B	17	FC/MC30B	1000	29.8	21.7	13.00	11.00
	MA12B	17	FC/MC36B	1000	30.0	21.9	13.00	11.00
CZB03611	MA12B	17	FC/MC35B	1200	36.0	26.5	13.00	11.00
	MA12B	17	FC/MC36B	1200	35.6	26.3	13.00	11.00
	MA12B	17	FC/MC42B	1200	36.0	26.5	13.00	11.00
CZB04211	MA16C	21	FC/MC48C	1400	41.0	30.2	13.00	11.00
	MA14D	24	FC/MC48D	1400	41.0	30.2	13.00	11.00
CZB04811	MA20D	24	FC/MC60D	1600	48.0	35.8	13.00	11.00
	MA16C	21	FC60C	1600	48.0	35.8	13.00	11.00
CZB06011	MA20D	24	FC/MC60D	1800	55.5	39.7	13.00	11.00
	MA20D	24	MC61D	1800	56.0	40.0	13.00	11.00
1 PH 13 SEER AC WITH MV - VARIABLE SPEED								
CZB01811	MV12B	17	MC18B	600	18.1	12.1	14.00	11.50
CZB02411	MV12B	17	MC24B	825	23.2	16.9	14.00	11.50
CZB03011	MV12B	17	MC36B	1000	30.6	22.3	14.00	11.50
CZB03611	MV12B	17	MC36B	1200	36.0	26.5	13.50	11.00
	MV12B	17	MC42B	1200	36.2	26.7	13.80	11.00
CZB04211	MV16C	21	MC48C	1380	41.5	30.5	13.50	11.00
	MV20D	24	MC48D	1380	41.5	30.5	13.50	11.00
CZB04811	MV20D	24	MC60D	1600	48.5	36.1	13.25	11.00
CZB06011	MV20D	24	MC60D	1780	55.5	39.7	13.10	11.00
	MV20D	24	MC61D	1780	57.5	41.1	13.25	11.00
1 PH 13 SEER AC WITH AV / SV / F*FV VARIABLE SPEED								
CZB01811	AV*24	17	–	610	18.0	12.4	15.00	12.50
	AV*36	21	–	630	19.0	13.2	15.50	13.00
CZB02411	AV*24	17	–	800	23.0	16.6	14.00	12.00
	AV*36	21	–	725	23.4	16.6	14.50	12.50
CZB03011	AV*36	21	–	960	30.0	22.2	14.50	12.50
CZB03611	AV*36	17	–	1200	36.0	26.5	14.00	11.50
CZB04211	AV/SV*48	24	–	1385	41.0	30.4	13.50	11.50
	AV/SV*60	24	–	1360	40.0	29.7	13.50	11.50
CZB04811	AV/SV*48	24	–	1600	48.0	35.8	14.00	11.50
	AV/SV*60	24	–	1600	48.0	35.8	14.00	11.50
	F*FV060	24	–	1600	48.0	36.5	13.25	11.00
CZB06011	AV/SV*60	24	–	1730	56.5	39.2	13.25	11.00
	F*FV060	24	–	1780	55.5	40.8	13.25	11.00
1 PH 13 SEER AC WITH AHP/ SHP / AHX / F*FP								
CZB01811	AHP18	17	–	600	18.0	12.1	13.00	11.00
	AHP24	17	–	600	18.0	12.3	13.00	11.00
	AHX18	17	–	630	18.0	12.3	15.00	12.50
	AHX24	17	–	590	18.0	12.2	15.00	12.50
	AHX30	17	–	610	18.5	12.7	15.50	13.00
	F*FP024	17	–	600	18.0	12.1	13.00	11.00
	F6FP018	17	–	600	18.0	12.2	14.50	12.00
	F6FP024	17	–	600	18.0	12.1	15.00	12.50
	F6FP030	17	–	620	18.5	12.8	15.00	12.50

For Notes See Page 6.

COOLING CAPACITY - With Air Handler Coils (Continued)

UNIT MODEL	AIR HANDLER		COIL MODEL ¹	COOLING				
	MODEL	W		RATED CFM	NET MBH		SEER	EER
					TOTAL	SENS.		
CZB02411	AHP24	17	—	800	23.0	16.9	13.00	11.00
	AHX18	17	—	835	22.8	16.5	14.00	12.00
	AHX24	17	—	800	23.0	16.8	14.00	12.00
	AHX30	17	—	820	23.4	17.3	14.50	12.00
	AHX36	21	—	815	23.4	17.3	14.50	12.50
	F6FP024	17	—	840	23.0	16.9	14.00	12.00
	F6FP030	17	—	850	23.2	17.0	13.50	11.50
	F6FP036	21	—	855	23.4	17.3	14.00	12.00
CZB03011	AHP30	17	—	1000	30.0	21.9	13.00	11.00
	AHP36	17	—	1000	30.0	21.9	13.00	11.00
	AHX30	17	—	1025	30.0	22.3	13.50	12.00
	AHX36	21	—	1005	30.0	22.5	14.50	12.50
	AHX42	21	—	990	31.0	23.1	15.00	12.50
	AHX48	24	—	1090	31.4	24.1	15.00	12.50
	F*FP036	21	—	1000	30.0	22.3	13.00	11.00
	F6FP030	17	—	1035	29.6	21.9	13.00	11.50
	F6FP036	21	—	980	29.6	21.7	14.00	12.00
	F6FP042	21	—	1065	31.2	23.5	14.50	12.50
	F6FP048	24	—	1125	30.0	22.9	14.00	12.00
CZB03611	AHP36	17	—	1200	36.0	26.5	13.00	11.00
	AHP42	21	—	1200	36.0	26.5	13.00	11.00
	AHX36	21	—	1225	36.0	26.7	14.00	12.00
	AHX42	21	—	1190	37.2	27.5	14.50	12.50
	AHX48	24	—	1255	37.0	27.7	14.50	12.00
	AHX60	24	—	1300	37.6	28.5	14.50	12.50
	F*FP036	21	—	1200	36.0	26.7	13.00	11.00
	F*FP048	21	—	1200	36.0	26.8	13.00	11.00
	F6FP036	21	—	1210	35.6	25.7	13.50	11.50
	F6FP042	21	—	1290	37.4	28.1	14.00	12.00
	F6FP048	24	—	1125	35.4	25.7	13.50	11.50
	F6FP060	24	—	1240	37.6	27.9	14.00	12.00
CZB04211	AHP/SHP48	24	—	1400	41.5	30.5	13.00	11.00
	AHP/SHP60	24	—	1400	41.5	30.5	13.00	11.00
	AHX42	21	—	1395	41.0	30.3	13.50	12.00
	AHX48	24	—	1445	41.0	30.5	13.50	11.50
	AHX60	24	—	1440	40.0	29.7	13.50	11.50
	F*FP048	24	—	1400	41.0	30.2	13.00	11.00
	F6FP042	21	—	1455	40.0	29.9	13.00	11.50
	F6FP048	24	—	1380	40.0	29.4	13.00	11.50
	F6FP060	24	—	1475	40.0	30.1	13.50	11.50
CZB04811	AHP/SHP48	24	—	1600	48.0	36.1	13.00	11.00
	AHP/SHP60	24	—	1600	48.0	36.1	13.00	11.00
	AHX48	24	—	1660	48.0	36.0	13.50	11.50
	AHX60	24	—	1680	48.0	36.2	13.50	11.50
	F6FP048	24	—	1625	47.0	35.4	13.00	11.00
	F6FP060	24	—	1710	48.0	36.0	13.50	11.50
CZB06011	AHP/SHP60	24	—	1800	55.5	39.7	13.00	11.00
	AHX60	24	—	1905	56.5	40.1	13.00	11.00
	F6FP060	24	—	1710	56.5	39.0	13.00	11.00

Rated in accordance with DOE test procedures (Federal Register 12-27-79 and 3-18-88) and ARI Standards 210.

Cooling MBH based on 80°F entering air temperature, 50% RH, and rated air flow.

EER (Energy Efficiency Ratio) is the total cooling output in BTU's at 95°F outdoor ambient divided by the total electric power in watt-hours at those conditions.

SEER (Seasonal Energy Efficiency Ratio) is the total cooling output in BTU's during a normal annual usage period for cooling divided by the total electric power input in watt-hours during the same period.

1. MC coils available with a factory installed horizontal drain pan. See price pages for specific model number.

— = Not applicable.

COOLING CAPACITY - Upflow, Downflow & Horizontal Furnaces and Coils

UNIT MODEL	FURNACE		COIL MODEL	RATED CFM	COOLING			
	CFM RANGE (MIN.-MAX.)	W			NET MBH		SEER ^{1,2}	EER
					TOTAL	SENS.		
CZB01811	450 750	14,17	FC/MC/PC18	600	18.3	12.2	13.75	11.55
		14,17	FC/MC/PC/UC24	600	18.0	12.1	13.00	11.00
		14,17	FC/MC/PC/UC30	600	18.0	12.1	13.00	11.00
		14	HC18	570	18.0	12.1	13.00	11.00
CZB02411	600 1000	14,17	FC/MC/PC24	800	23.0	16.7	13.10	11.20
		14,17	FC/MC/PC/UC30	800	23.2	16.9	13.00	11.00
		14	HC30	760	22.6	16.5	13.00	11.00
		–	HD24	800	22.6	16.5	13.00	11.00
CZB03011	800 1200	14,17	FC/MC/PC30	1000	29.6	21.8	13.05	11.35
		14,17,21	FC/MC/PC/UC36	1000	30.0	21.9	13.00	11.00
		17	HC36	950	30.0	21.9	13.00	11.00
		–	HD36	1000	30.0	21.9	13.00	11.00
CZB03611	1000 1400	17, 21	FC/MC/PC35	1200	35.6	26.0	13.10	11.25
		14,17,21	FC/MC/PC/UC36	1200	35.6	26.3	13.00	11.00
		17,21	FC/MC/PC/UC42	1200	36.0	26.5	13.00	11.00
		17	HC36	1140	36.0	26.5	13.00	11.00
		–	HD36	1200	35.8	26.4	13.00	11.00
CZB04211	1200 1600	21,24	FC/MC/PC48	1200	41.0	30.2	13.00	11.30
		24	HC60	1330	40.5	29.8	13.00	11.00
		–	HD60	1400	40.0	29.4	13.00	11.00
CZB04811	1400 1800	21,24	FC/MC/PC60	1800	48.5	36.2	13.10	11.45
		24	HC60	1600	48.0	35.8	13.00	11.00
		–	HD60	1600	48.0	35.8	13.00	11.00
CZB06011	1600 2000	21,24	FC/MC/PC60	1800	57.0	39.0	13.00	11.20
		24	HC60	1800	55.5	39.7	13.00	11.00
		–	HD60	1800	55.5	39.7	13.00	11.00
		24	MC61	1800	56.0	40.0	13.00	11.00

1. Requires a 2FD06700224 Blower Time Delay unless a standard furnace is equipped with one.

2. TXV = Use 1TV900 series kit.

COOLING CAPACITY - With High Efficiency Motor Furnaces

UNIT MODEL	FURNACE MODEL	COIL MODEL ¹	W	COOLING				
				RATED CFM	NET MBH		SEER	EER
					TOTAL	SENS.		
1 PH 13 SEER AC WITH VARIABLE SPEED FURNACES²								
CZB01811	T*(8,L)X*A12	FC/MC/PC18A	14	540	18.0	11.9	14.50	12.00
	T*(8,L)X*B12	FC/MC/PC18B	17	580	17.9	12.1	14.50	12.00
	T*9X*B12	FC/MC/PC18B	17	590	18.1	12.2	14.50	12.00
	T*(8,L)X*A12	FC/MC/PC24A	14	595	18.6	12.6	14.50	12.50
	T*(8,L)X*B12	FC/MC/PC24B	17	620	18.3	12.4	15.00	12.50
	T*9X*B12	FC/MC/PC24B	17	615	18.7	12.7	15.00	12.50
	T*(8,L)X*A12	FC/MC/PC30A	14	595	18.6	12.6	14.50	12.50
	T*(8,L)X*B12	FC/MC/PC30B	17	620	18.3	12.4	15.00	12.50
	T*9X*B12	FC/MC/PC30B	17	615	18.7	12.7	15.00	12.50
	T*(8,L)X*A12	HD24	14	605	18.4	12.9	15.00	12.50
	T*(8,L)X*B12	HD24	17	655	18.8	13.3	15.00	12.50
	T*(8,L)X*C16	HD24	21	650	18.6	13.3	15.00	12.50
	T*9X*B12	HD24	17	630	18.4	12.9	15.00	12.50
	T*(8,L)X*A12	UC18A	14	590	18.3	12.4	14.50	12.00
	T*(8,L)X*B12	UC18B	17	595	18.1	12.3	14.50	12.00
	T*9X*B12	UC18B	17	590	18.3	12.4	14.50	12.00
	T*(8,L)X*A12	UC24A	14	570	18.5	12.6	15.00	12.00
	T*(8,L)X*B12	UC24B	17	575	18.3	12.5	15.00	12.50
	T*9X*B12	UC24B	17	615	18.5	12.6	15.00	12.50
	T*(8,L)X*A12	UC30A	14	570	18.5	12.6	15.00	12.00
	T*(8,L)X*B12	UC30B	17	625	18.3	12.7	15.00	12.50
	T*9X*B12	UC30B	17	615	18.5	12.6	15.00	12.50
	(Y*(8,L)C/T*8V)*A12	FC/MC/PC18A	14	615	18.8	12.7	15.50	12.75
	(Y*(8,L)C/T*8V)*B12	FC/MC/PC18B	17	625	18.9	12.8	15.50	12.75
	(Y*9C/T*9V)*B12	FC/MC/PC18B	17	610	18.1	12.3	14.50	12.00
	(Y*(8,L)C/T*8V)*A12	FC/MC/PC24A	14	650	19.5	13.3	16.00	13.00
	(Y*(8,L)C/T*8V)*B12	FC/MC/PC24B	17	600	19.2	12.9	15.85	13.00
	(Y*9C/T*9V)*B12	FC/MC/PC24B	17	610	18.7	12.9	15.00	12.50
	(Y*(8,L)C/T*8V)*A12	FC/MC/PC30A	14	650	19.5	13.3	16.00	13.00
	(Y*(8,L)C/T*8V)*B12	FC/MC/PC30B	17	600	19.2	12.9	15.85	13.00
	(Y*9C/T*9V)*B12	FC/MC/PC30B	17	610	18.7	12.9	15.00	12.50
	(Y*(8,L)C/T*8V)*A12	FC/MC/PC32A	14	620	19.3	13.1	15.85	13.00
	(Y*(8,L)C/T*8V)*B12	FC/MC/PC35B	17	630	19.3	13.2	16.00	13.00
	(Y*(8,L)C/T*8V)*C16	FC/MC/PC35C	21	645	19.5	13.4	16.00	13.00
	(Y*(8,L)C/T*8V)*A12	FC/MC/PC36A	14	635	19.5	13.3	16.00	13.00
	(Y*(8,L)C/T*8V)*B12	FC/MC/PC36B	17	655	19.6	13.5	16.00	13.00
	(Y*(8,L)C/T*8V)*C16	FC/MC/PC36C	21	615	19.4	13.2	16.00	13.00
	(Y*(8,L)C/T*8V)*A12	FC/MC/PC37A	14	635	19.7	13.4	16.00	13.00
	(Y*(8,L)C/T*8V)*B12	FC/MC/PC42B	17	595	18.5	12.5	15.25	12.50
	(Y*(8,L)C/T*8V)*C16	FC/MC/PC42C	21	615	18.3	12.5	15.25	12.50
	(Y*(8,L)C/T*8V)*B12	FC/MC/PC43B	17	570	19.3	12.8	16.00	13.00
	(Y*(8,L)C/T*8V)*A12	HC18	14	620	18.1	12.4	14.50	12.00
(Y*(8,L)C/T*8V)*A12	HD24	14	640	19.0	13.1	15.00	12.50	
(Y*(8,L)C/T*8V)*B12	HD24	17	575	18.8	12.6	15.00	12.50	
(Y*9C/T*9V)*B12	HD24	17	610	19.0	13.2	15.00	12.50	
(Y*(8,L)C/T*8V)*A12	UC18A	14	620	18.3	12.5	14.50	12.00	
(Y*(8,L)C/T*8V)*B12	UC18B	17	580	18.1	12.1	14.50	12.00	
(Y*9C/T*9V)*B12	UC18B	17	610	18.3	12.4	14.50	12.00	
(Y*(8,L)C/T*8V)*A12	UC24A	14	640	18.5	13.0	15.00	12.00	
(Y*(8,L)C/T*8V)*B12	UC24B	17	575	18.3	12.5	15.00	12.50	
(Y*9C/T*9V)*B12	UC24B	17	610	18.5	13.0	15.00	12.50	

For Notes See Page 15.

COOLING CAPACITY - With High Efficiency Motor Furnaces (Continued)

UNIT MODEL	FURNACE MODEL	COIL MODEL ¹	W	COOLING				
				RATED CFM	NET MBH		SEER	EER
					TOTAL	SENS.		
1 PH 13 SEER AC WITH VARIABLE SPEED FURNACES²								
CZB01811	(Y*(8,L)C/T*8V)*A12	UC30A	14	640	18.5	13.0	15.00	12.00
	(Y*(8,L)C/T*8V)*B12	UC30B	17	575	18.3	12.5	15.00	12.50
	(Y*9C/T*9V)*B12	UC30B	17	610	18.5	13.0	15.00	12.50
CZB02411	T*(8,L)X*A12	FC/MC/PC24A	14	775	23.2	16.7	14.00	12.00
	T*(8,L)X*B12	FC/MC/PC24B	17	835	23.2	17.1	14.50	12.00
	T*9X*B12	FC/MC/PC24B	17	775	23.0	16.6	14.00	12.00
	T*(8,L)X*A12	FC/MC/PC30A	14	775	23.0	16.6	14.00	12.00
	T*(8,L)X*B12	FC/MC/PC30B	17	835	23.2	17.1	14.50	12.00
	T*9X*B12	FC/MC/PC30B	17	775	23.0	16.6	14.00	12.00
	T*(8,L)X*A12	FC/MC/PC32A	14	800	23.0	16.9	14.00	12.00
	T*(8,L)X*A12	UC24A	14	785	23.2	16.8	14.00	12.00
	T*(8,L)X*B12	UC24B	17	805	23.2	16.8	14.50	12.00
	T*9X*B12	UC24B	17	775	23.2	16.8	14.00	12.00
	T*(8,L)X*A12	UC30A	14	785	23.2	16.8	14.00	12.00
	T*(8,L)X*B12	UC30B	17	820	23.2	16.8	14.50	12.00
	T*9X*B12	UC30B	17	775	23.2	16.8	14.00	12.00
	(Y*(8,L)C/T*8V)*A12	FC/MC/PC24A	14	770	23.4	17.0	14.50	12.00
	(Y*(8,L)C/T*8V)*B12	FC/MC/PC24B	17	760	23.4	16.9	14.50	12.25
	(Y*9C/T*9V)*B12	FC/MC/PC24B	17	790	23.0	16.7	14.00	12.00
	(Y*(8,L)C/T*8V)*A12	FC/MC/PC30A	14	770	23.4	17.0	14.50	12.25
	(Y*(8,L)C/T*8V)*B12	FC/MC/PC30B	17	760	23.4	16.9	14.50	12.25
	(Y*9C/T*9V)*B12	FC/MC/PC30B	17	790	23.0	16.7	14.00	12.00
	(Y*(8,L)C/T*8V)*A12	FC/MC/PC32A	14	775	23.0	16.7	14.00	12.00
	(Y*(8,L)C/T*8V)*B12	FC/MC/PC35B	17	785	23.6	17.3	14.50	12.25
	(Y*(8,L)C/T*8V)*C16	FC/MC/PC35C	21	775	23.6	17.4	14.75	12.50
	(Y*(8,L)C/T*8V)*C20	FC/MC/PC35C	21	755	23.6	17.1	14.75	12.50
	(Y*(8,L)C/T*8V)*A12	FC/MC/PC36A	14	805	23.6	17.4	14.25	12.00
	(Y*(8,L)C/T*8V)*B12	FC/MC/PC36B	17	785	23.6	17.2	14.50	12.25
	(Y*(8,L)C/T*8V)*C16	FC/MC/PC36C	21	780	23.8	17.2	14.75	12.50
	(Y*(8,L)C/T*8V)*C20	FC/MC/PC36C	21	740	23.4	16.9	14.75	12.25
	(Y*(8,L)C/T*8V)*A12	FC/MC/PC37A	14	765	24.0	17.3	14.50	12.25
	(Y*(8,L)C/T*8V)*B12	FC/MC/PC42B	17	780	23.2	16.8	14.25	12.00
	(Y*(8,L)C/T*8V)*C16	FC/MC/PC42C	21	745	22.6	16.6	14.50	12.00
	(Y*(8,L)C/T*8V)*C20	FC/MC/PC42C	21	750	22.6	16.5	14.50	12.00
	(Y*(8,L)C/T*8V)*B12	FC/MC/PC43B	17	790	24.0	17.6	14.75	12.50
	(Y*(8,L)C/T*8V)*C16	FC/MC/PC43C	21	770	24.0	17.5	15.00	12.50
	(Y*(8,L)C/T*8V)*C20	FC/MC/PC43C	21	740	23.8	17.2	15.00	12.50
	(Y*(8,L)C/T*8V)*A12	HC30	14	775	22.8	16.4	13.50	11.50
	(Y*(8,L)C/T*8V)*A12	HD24	14	805	23.4	17.2	14.50	12.50
	(Y*(8,L)C/T*8V)*B12	HD24	17	815	23.4	17.0	14.50	12.50
	(Y*9C/T*9V)*B12	HD24	17	790	23.4	17.2	14.50	12.50
	(Y*(8,L)C/T*8V)*A12	UC24A	14	805	23.2	16.9	14.00	12.00
	(Y*(8,L)C/T*8V)*B12	UC24B	17	815	23.4	16.9	14.50	12.50
	(Y*9C/T*9V)*B12	UC24B	17	790	23.2	16.9	14.00	12.00
	(Y*(8,L)C/T*8V)*A12	UC30A	14	805	23.2	16.9	14.00	12.00
(Y*(8,L)C/T*8V)*B12	UC30B	17	815	23.4	16.9	14.50	12.50	
(Y*9C/T*9V)*B12	UC30B	17	790	23.2	16.9	14.00	12.00	
CZB03011	T*(8,L)X*A12	FC/MC/PC30A	14	1075	29.6	22.0	13.00	11.00
	T*(8,L)X*B12	FC/MC/PC30B	17	945	29.4	21.3	14.00	11.50
	T*9X*B12	FC/MC/PC30B	17	1080	29.6	22.2	13.50	11.50
	T*(8,L)X*A12	FC/MC/PC32A	14	970	29.4	21.6	13.00	11.00
	T*(8,L)X*B12	FC/MC/PC35B	17	1120	29.8	22.6	13.50	11.50

For Notes See Page 15.

COOLING CAPACITY - With High Efficiency Motor Furnaces (Continued)

UNIT MODEL	FURNACE MODEL	COIL MODEL ¹	W	COOLING				
				RATED CFM	NET MBH		SEER	EER
					TOTAL	SENS.		
1 PH 13 SEER AC WITH VARIABLE SPEED FURNACES²								
CZB03011	T*(8,L)X*C16	FC/MC/PC35C	21	1105	30.0	22.6	14.00	11.50
	T*(8,L)X*C20	FC/MC/PC35C	21	850	29.2	21.1	14.00	11.50
	T*9X*B12	FC/MC/PC35B	17	1085	29.6	22.6	13.50	11.00
	T*9X*C16	FC/MC/PC35C	21	1075	30.0	22.6	14.00	11.50
	T*(8,L)X*A12	FC/MC/PC36A	14	995	29.6	21.7	13.50	11.50
	T*(8,L)X*B12	FC/MC/PC36B	17	1090	29.8	22.4	14.00	11.50
	T*(8,L)X*C16	FC/MC/PC36C	21	1100	30.0	22.6	14.00	11.50
	T*(8,L)X*C20	FC/MC/PC36C	21	890	29.4	21.3	14.00	12.00
	T*9X*B12	FC/MC/PC36B	17	1070	29.8	22.2	13.50	11.50
	T*9X*C16	FC/MC/PC36C	21	1070	30.0	22.5	14.00	11.50
	T*(8,L)X*A12	FC/MC/PC37A	14	1105	30.2	23.1	13.50	11.50
	T*(8,L)X*C16	HD36	21	1120	29.6	22.4	14.00	11.50
	T*(8,L)X*A12	UC30A	14	1035	29.8	22.1	13.00	11.00
	T*(8,L)X*B12	UC30B	17	1110	29.4	22.3	13.50	11.50
	T*9X*B12	UC30B	17	1080	29.6	22.0	13.50	11.50
	T*(8,L)X*A12	UC36A	14	1035	28.8	21.4	13.00	11.00
	T*(8,L)X*B12	UC36B	17	1115	28.8	21.6	13.50	11.50
	T*(8,L)X*C16	UC36C	21	805	28.0	19.9	13.50	11.50
	T*(8,L)X*C20	UC36C	21	955	29.0	21.1	13.50	11.50
	T*9X*B12	UC36B	17	1070	28.8	21.4	13.50	11.00
	T*9X*C16	UC36C	21	1070	29.0	21.4	13.50	11.50
	(Y*(8,L)C/T*8V)*A12	FC/MC/PC30A	14	1090	29.6	22.1	13.00	11.00
	(Y*(8,L)C/T*8V)*B12	FC/MC/PC30B	17	955	29.4	21.3	14.00	11.50
	(Y*9C/T*9V)*B12	FC/MC/PC30B	17	1050	29.6	22.1	13.50	11.50
	(Y*(8,L)C/T*8V)*A12	FC/MC/PC32A	14	1035	30.4	22.6	13.25	11.50
	(Y*(8,L)C/T*8V)*B12	FC/MC/PC35B	17	995	29.8	22.5	13.50	11.50
	(Y*9C/T*9V)*B12	FC/MC/PC35B	17	1045	29.6	22.3	13.50	11.00
	(Y*(8,L)C/T*8V)*C16	FC/MC/PC35C	21	985	30.0	21.6	13.75	12.00
	(Y*(8,L)C/T*8V)*C20	FC/MC/PC35C	21	1035	30.8	23.0	14.00	12.25
	(Y*9C/T*9V)*C16	FC/MC/PC35C	21	1005	30.0	22.5	14.00	11.50
	(Y*9C/T*9V)*C20	FC/MC/PC35C	21	985	30.0	22.5	14.00	11.50
	(Y*(8,L)C/T*8V)*A12	FC/MC/PC36A	14	975	30.4	22.4	14.25	12.25
	(Y*(8,L)C/T*8V)*B12	FC/MC/PC36B	17	995	30.2	22.2	13.75	12.00
	(Y*9C/T*9V)*B12	FC/MC/PC36B	17	985	29.8	21.9	14.00	11.50
	(Y*(8,L)C/T*8V)*C16	FC/MC/PC36C	21	995	30.6	22.4	14.00	12.25
	(Y*(8,L)C/T*8V)*C20	FC/MC/PC36C	21	1030	30.6	22.6	13.50	12.00
	(Y*9C/T*9V)*C16	FC/MC/PC36C	21	1005	30.0	22.1	14.00	11.50
	(Y*9C/T*9V)*C20	FC/MC/PC36C	21	1045	29.8	22.1	14.00	11.50
	(Y*(8,L)C/T*8V)*A12	FC/MC/PC37A	14	980	30.2	22.3	13.50	11.50
	(Y*(8,L)C/T*8V)*B12	FC/MC/PC42B	17	960	30.0	21.6	13.75	12.00
	(Y*(8,L)C/T*8V)*C16	FC/MC/PC42C	21	1010	30.4	22.6	14.25	12.25
	(Y*(8,L)C/T*8V)*C20	FC/MC/PC42C	21	1035	30.4	22.6	14.50	12.50
(Y*(8,L)C/T*8V)*C20	FC/MC/PC43C	21	1025	31.6	23.6	15.00	13.00	
(Y*(8,L)C/T*8V)*C16	FC/MC/PC48C	21	1010	31.6	23.6	14.50	12.75	
(Y*(8,L)C/T*8V)*C20	FC/MC/PC48C	21	1030	31.8	23.8	14.75	12.75	
(Y*(8,L)C/T*8V)*C16	FC/PC60C	21	1050	31.6	23.8	14.75	12.75	
(Y*(8,L)C/T*8V)*C20	FC/PC60C	21	970	31.2	23.0	14.75	12.75	
(Y*(8,L)C/T*8V)*B12	HC36	17	995	29.8	21.9	13.50	11.50	
(Y*9C/T*9V)*B12	HC36	17	1045	29.6	22.5	13.50	11.00	
(Y*(8,L)C/T*8V)*A12	HD36	14	1000	29.4	21.3	13.50	11.50	
Y*(8,L)C/T*8V)*B12	HD36	17	985	29.6	21.3	13.50	11.50	
(Y*(8,L)C/T*8V)*C16	HD36	21	1020	29.6	21.3	14.00	11.50	

For Notes See Page 15.

COOLING CAPACITY - With High Efficiency Motor Furnaces (Continued)

UNIT MODEL	FURNACE MODEL	COIL MODEL ¹	W	COOLING				
				RATED CFM	NET MBH		SEER	EER
					TOTAL	SENS.		
1 PH 13 SEER AC WITH VARIABLE SPEED FURNACES²								
CZB03011	(Y*(8,L)C/T*8V)*C20	HD36	21	1055	30.0	21.9	14.00	12.00
	(Y*9C/T*9V)*B12	HD36	17	985	29.6	21.3	13.50	11.50
	(Y*9C/T*9V)*C16	HD36	21	1005	29.6	21.3	14.00	11.50
	(Y*9C/T*9V)*C20	HD36	21	1045	29.6	21.3	13.50	11.50
	(Y*(8,L)C/T*8V)*A12	UC30A	14	1090	29.8	22.3	13.00	11.00
	(Y*(8,L)C/T*8V)*B12	UC30B	17	955	29.4	21.5	14.00	11.50
	(Y*9C/T*9V)*B12	UC30B	17	1000	29.6	21.7	13.50	11.50
	(Y*(8,L)C/T*8V)*A12	UC36A	14	1000	28.8	20.9	13.00	11.00
	(Y*(8,L)C/T*8V)*B12	UC36B	17	985	28.8	20.9	13.50	11.50
	(Y*9C/T*9V)*B12	UC36B	17	985	28.8	20.9	13.50	11.00
	(Y*(8,L)C/T*8V)*C16	UC36C	21	1020	29.0	21.5	13.50	11.50
	(Y*(8,L)C/T*8V)*C20	UC36C	21	1055	29.0	21.5	13.50	11.50
	(Y*9C/T*9V)*C16	UC36C	21	1000	29.0	21.5	13.50	11.50
	(Y*9C/T*9V)*C20	UC36C	21	1045	29.0	21.5	13.50	11.50
CZB03611	T*(8,L)X*B12	FC/MC/PC35B	17	1290	36.0	26.8	13.25	11.50
	T*(8,L)X*C16	FC/MC/PC35C	21	1105	35.6	25.7	13.85	11.50
	T*(8,L)X*C20	FC/MC/PC35C	21	1225	36.0	26.6	14.00	11.50
	T*9X*B12	FC/MC/PC35B	17	1265	35.6	26.6	13.40	11.50
	T*9X*C16	FC/MC/PC35C	21	1270	36.0	26.8	13.50	11.50
	T*9X*C20	FC/MC/PC35C	21	1195	35.8	26.5	13.45	11.50
	T*(8,L)X*A12	FC/MC/PC36A	14	1185	35.4	25.7	13.00	11.00
	T*(8,L)X*B12	FC/MC/PC36B	17	1255	35.8	26.3	13.45	11.50
	T*(8,L)X*C16	FC/MC/PC36C	21	1100	35.4	25.3	13.50	11.50
	T*(8,L)X*C20	FC/MC/PC36C	21	1265	35.8	26.7	14.00	11.50
	T*9X*B12	FC/MC/PC36B	17	1245	35.8	26.1	13.50	11.50
	T*9X*C16	FC/MC/PC36C	21	1275	36.0	26.7	13.50	11.50
	T*9X*C20	FC/MC/PC36C	21	1195	35.8	25.9	13.50	11.50
	T*(8,L)X*A12	FC/MC/PC37A	14	1290	35.4	26.5	13.50	11.50
	T*(8,L)X*B12	FC/MC/PC42B	17	1160	35.6	25.5	13.50	11.50
	T*(8,L)X*C16	FC/MC/PC42C	21	1200	35.6	25.7	14.00	11.50
	T*(8,L)X*C20	FC/MC/PC42C	21	1270	35.8	26.6	14.00	11.50
	T*9X*B12	FC/MC/PC42B	17	1275	35.6	26.3	13.50	11.50
	T*9X*C16	FC/MC/PC42C	21	1260	35.8	26.3	13.50	11.50
	T*9X*C20	FC/MC/PC42C	21	1185	35.4	25.5	13.50	11.50
	T*(8,L)X*B12	FC/MC/PC43B	17	1300	36.8	27.6	13.50	11.50
	T*(8,L)X*C16	FC/MC/PC43C	21	1175	36.8	27.1	14.30	12.00
	T*(8,L)X*C20	FC/MC/PC43C	21	1250	37.0	27.8	14.40	12.00
	T*9X*B12	FC/MC/PC43B	17	1270	36.8	27.6	13.65	11.50
	T*9X*C16	FC/MC/PC43C	21	1260	36.8	27.7	13.85	12.00
	T*9X*C20	FC/MC/PC43C	21	1185	36.8	26.9	14.00	12.00
	T*(8,L)X*C16	FC/MC/PC48C	21	1185	37.2	27.5	14.50	12.30
	T*(8,L)X*C20	FC/MC/PC48C	21	1270	37.6	28.1	14.50	12.50
	T*9X*C16	FC/MC/PC48C	21	1280	37.4	28.1	14.00	12.00
	T*9X*C20	FC/MC/PC48C	21	1205	37.0	27.3	14.00	12.00
	T*9X*D20	FC/MC/PC48D	24	1240	37.2	27.3	14.00	12.00
	T*(8,L)X*A12	HD36	14	1300	35.8	26.5	13.50	11.50
	T*(8,L)X*B12	HD36	17	1330	36.0	26.5	13.50	11.50
	T*(8,L)X*C16	HD36	21	1120	35.4	24.9	13.50	11.50
T*9X*B12	HD36	17	1290	35.8	26.5	13.50	11.50	
T*(8,L)X*C16	HD48	21	1120	34.8	25.9	14.00	11.50	
T*(8,L)X*C20	HD48	21	1245	37.0	27.9	14.00	12.00	
T*9X*C16	HD48	21	1320	37.2	28.0	14.00	12.00	

For Notes See Page 15.

COOLING CAPACITY - With High Efficiency Motor Furnaces (Continued)

UNIT MODEL	FURNACE MODEL	COIL MODEL ¹	W	COOLING				
				RATED CFM	NET MBH		SEER	EER
					TOTAL	SENS.		
1 PH 13 SEER AC WITH VARIABLE SPEED FURNACES²								
CZB03611	T*9X*C20	HD48	21	1245	37.0	27.9	14.00	12.00
	T*(8,L)X*A12	UC36A	14	1225	34.6	25.3	13.00	11.00
	T*(8,L)X*B12	UC36B	17	1280	34.8	25.3	13.00	11.00
	T*(8,L)X*C16	UC36C	21	1180	35.2	25.5	13.65	11.50
	T*(8,L)X*C20	UC36C	21	1320	35.4	26.0	13.50	12.00
	T*9X*B12	UC36B	17	1245	34.6	25.3	13.00	11.00
	T*9X*C16	UC36C	21	1275	34.8	25.3	13.00	11.00
	T*9X*C20	UC36C	21	1195	35.0	25.5	13.35	11.50
	T*(8,L)X*B12	UC42B	17	1245	35.2	25.7	13.00	11.00
	T*(8,L)X*C16	UC42C	21	1170	35.4	25.3	14.00	12.00
	T*(8,L)X*C20	UC42C	21	1305	35.4	25.8	13.50	11.50
	T*9X*B12	UC42B	17	1275	35.2	25.7	13.00	11.00
	T*9X*C16	UC42C	21	1260	35.2	25.7	13.50	11.50
	T*9X*C20	UC42C	21	1185	35.4	25.9	13.50	11.50
	T*(8,L)X*C16	UC48C	21	1185	35.8	26.3	14.00	12.00
	T*(8,L)X*C20	UC48C	21	1300	36.0	27.0	14.00	12.00
	T*9X*C16	UC48C	21	1280	35.8	26.6	13.50	11.50
	T*9X*C20	UC48C	21	1205	35.6	26.1	13.50	11.50
	T*9X*D20	UC48D	24	1240	35.6	26.3	13.50	11.50
	(Y*(8,L)C/T*8V)*B12	FC/MC/PC35B	17	1220	36.0	26.4	13.25	11.30
	(Y*9C/T*9V)*B12	FC/MC/PC35B	17	1190	35.6	26.2	13.40	11.25
	(Y*(8,L)C/T*8V)*C16	FC/MC/PC35C	21	1235	36.2	27.0	13.85	11.75
	(Y*(8,L)C/T*8V)*C20	FC/MC/PC35C	21	1170	36.0	26.4	14.05	11.80
	(Y*9C/T*9V)*C16	FC/MC/PC35C	21	1215	36.0	26.6	13.75	11.60
	(Y*9C/T*9V)*C20	FC/MC/PC35C	21	1330	36.4	27.4	13.45	11.40
	(Y*(8,L)C/T*8V)*A12	FC/MC/PC36A	14	1190	35.6	26.0	13.25	11.50
	(Y*(8,L)C/T*8V)*B12	FC/MC/PC36B	17	1220	35.6	26.0	13.25	11.50
	(Y*9C/T*9V)*B12	FC/MC/PC36B	17	1165	35.8	26.0	13.60	11.50
	(Y*(8,L)C/T*8V)*C16	FC/MC/PC36C	21	1210	35.8	26.4	13.75	11.75
	(Y*(8,L)C/T*8V)*C20	FC/MC/PC36C	21	1240	36.0	26.6	13.75	11.75
	(Y*9C/T*9V)*C16	FC/MC/PC36C	21	1185	36.0	26.8	14.00	11.75
	(Y*9C/T*9V)*C20	FC/MC/PC36C	21	1330	36.2	27.2	13.55	11.50
	(Y*(8,L)C/T*8V)*A12	FC/MC/PC37A	14	980	35.4	25.0	13.60	11.55
	(Y*(8,L)C/T*8V)*B12	FC/MC/PC42B	17	1175	35.4	26.0	13.50	11.50
	(Y*(8,L)C/T*8V)*C16	FC/MC/PC42C	21	1190	35.8	26.4	14.00	12.00
	(Y*(8,L)C/T*8V)*C20	FC/MC/PC42C	21	1170	35.8	26.2	14.25	11.95
	(Y*9C/T*9V)*C16	FC/MC/PC42C	21	1205	35.8	26.4	13.90	11.70
	(Y*9C/T*9V)*C20	FC/MC/PC42C	21	1325	36.2	27.2	13.70	11.60
	(Y*(8,L)C/T*8V)*B12	FC/MC/PC43B	17	1210	36.8	27.0	13.65	11.55
	(Y*9C/T*9V)*B12	FC/MC/PC43B	17	1200	36.8	27.2	13.65	11.55
	(Y*(8,L)C/T*8V)*C16	FC/MC/PC43C	21	1205	37.0	27.4	14.30	12.05
	(Y*(8,L)C/T*8V)*C20	FC/MC/PC43C	21	1190	37.0	27.4	14.40	12.15
(Y*9C/T*9V)*C16	FC/MC/PC43C	21	1240	36.8	27.4	13.75	11.75	
(Y*9C/T*9V)*C20	FC/MC/PC43C	21	1200	37.0	27.4	14.20	12.00	
(Y*(8,L)C/T*8V)*C16	FC/MC/PC48C	21	1195	37.2	27.6	14.50	12.25	
(Y*(8,L)C/T*8V)*C20	FC/MC/PC48C	21	1150	37.0	27.2	14.50	12.25	
(Y*9C/T*9V)*C16	FC/MC/PC48C	21	1195	37.4	27.8	14.35	12.15	
(Y*9C/T*9V)*C20	FC/MC/PC48C	21	1330	37.8	28.8	14.15	11.95	
(Y*(8,L)C/T*8V)*C16	FC/PC60C	21	1185	37.0	27.4	14.50	12.25	
(Y*(8,L)C/T*8V)*C20	FC/PC60C	21	1215	37.0	27.4	14.50	12.25	
(Y*(8,L)C/T*8V)*C16	HC42	21	1205	37.0	27.4	14.25	12.05	
(Y*(8,L)C/T*8V)*C20	HC42	21	1190	37.2	27.4	14.45	12.20	

For Notes See Page 15.

COOLING CAPACITY - With High Efficiency Motor Furnaces (Continued)

UNIT MODEL	FURNACE MODEL	COIL MODEL ¹	W	COOLING				
				RATED CFM	NET MBH		SEER	EER
					TOTAL	SENS.		
1 PH 13 SEER AC WITH VARIABLE SPEED FURNACES²								
CZB03611	(Y*9C/T*9V)*C16	HC42	21	1240	36.8	27.2	13.85	11.70
	(Y*9C/T*9V)*C20	HC42	21	1200	37.0	27.4	14.20	12.00
	(Y*(8,L)C/T*8V)*B12	HD48	17	1210	37.0	27.2	13.90	11.85
	(Y*(8,L)C/T*8V)*C16	HD48	21	1210	37.4	27.4	14.40	12.25
	(Y*(8,L)C/T*8V)*C20	HD48	21	1155	37.4	27.6	14.60	12.40
	(Y*9C/T*9V)*B12	HD48	17	1150	37.0	27.2	13.85	11.75
	(Y*9C/T*9V)*C16	HD48	21	1195	37.2	27.4	14.20	12.05
	(Y*9C/T*9V)*C20	HD48	21	1330	37.6	28.4	14.00	11.90
	(Y*9C/T*9V)*B12	UC36B	17	1165	35.0	25.2	13.25	11.25
	(Y*(8,L)C/T*8V)*C16	UC36C	21	1235	35.2	26.0	13.65	11.50
	(Y*(8,L)C/T*8V)*C20	UC36C	21	1240	35.4	26.0	13.80	11.60
	(Y*9C/T*9V)*C16	UC36C	21	1185	35.2	26.0	13.70	11.55
	(Y*9C/T*9V)*C20	UC36C	21	1330	35.6	26.4	13.35	11.30
	(Y*(8,L)C/T*8V)*B12	UC42B	17	1175	35.2	25.4	13.60	11.45
	(Y*(8,L)C/T*8V)*C16	UC42C	21	1205	35.6	26.0	14.05	11.80
	(Y*(8,L)C/T*8V)*C20	UC42C	21	1170	35.4	25.6	14.10	11.85
	(Y*9C/T*9V)*C16	UC42C	21	1205	35.4	25.8	13.80	11.60
	(Y*9C/T*9V)*C20	UC42C	21	1325	36.0	26.8	13.60	11.50
	(Y*(8,L)C/T*8V)*C16	UC48C	21	1210	36.0	26.6	14.10	11.85
	(Y*(8,L)C/T*8V)*C20	UC48C	21	1155	36.0	26.8	14.30	12.00
(Y*9C/T*9V)*C16	UC48C	21	1195	35.8	26.6	13.90	11.65	
(Y*9C/T*9V)*C20	UC48C	21	1330	36.4	27.6	13.65	11.55	
CZB04211	T*(8,L)X*B12	FC/MC/PC43B	17	1300	40.5	29.4	13.00	11.50
	T*(8,L)X*C16	FC/MC/PC43C	21	1475	41.0	31.0	13.00	11.00
	T*(8,L)X*C20	FC/MC/PC43C	21	1415	41.0	30.4	13.00	11.00
	T*9X*B12	FC/MC/PC43B	17	1270	40.5	29.2	13.00	11.50
	T*9X*C16	FC/MC/PC43C	21	1410	41.0	30.2	13.00	11.00
	T*9X*C20	FC/MC/PC43C	21	1400	41.0	30.2	13.00	11.00
	T*(8,L)X*C16	FC/MC/PC48C	21	1360	41.5	30.4	13.50	11.00
	T*(8,L)X*C20	FC/MC/PC48C	21	1475	41.5	31.1	13.50	11.00
	T*9X*C16	FC/MC/PC48C	21	1425	41.5	30.6	13.00	11.00
	T*9X*C20	FC/MC/PC48C	21	1420	41.5	30.8	13.00	11.00
	T*9X*D20	FC/MC/PC48D	24	1435	41.5	31.0	13.00	11.00
	T*(8,L)X*C20	HD48	21	1490	41.5	30.4	13.50	11.00
	T*9X*D20	HD48	24	1460	41.5	31.0	13.00	11.00
	T*(8,L)X*C16	HD60	21	1340	39.0	29.6	13.00	11.00
	T*9X*C16	HD60	21	1465	42.5	31.8	13.75	11.50
	T*9X*C20	HD60	21	1465	42.5	32.0	14.00	11.75
	T*9X*D20	HD60	24	1460	39.5	31.0	13.00	11.00
	T*(8,L)X*C16	UC48C	21	1400	40.0	29.7	13.00	11.00
	T*(8,L)X*C20	UC48C	21	1515	40.0	31.0	13.00	11.00
	T*9X*C16	UC48C	21	1425	40.0	29.6	13.00	11.00
	T*9X*C20	UC48C	21	1420	40.0	29.8	13.00	11.50
	T*9X*D20	UC48D	24	1435	40.0	29.8	13.00	11.00
	(Y*(8,L)C/T*8V)*B12	FC/MC/PC42B	17	1370	41.0	30.6	12.70	10.75
	(Y*(8,L)C/T*8V)*C16	FC/MC/PC42C	21	1400	41.0	31.0	13.00	11.25
	(Y*(8,L)C/T*8V)*C20	FC/MC/PC42C	21	1370	41.5	31.0	13.25	11.50
	(Y*(8,L)C/T*8V)*B12	FC/MC/PC43B	17	1270	41.5	30.8	13.00	11.25
	(Y*(8,L)C/T*8V)*C16	FC/MC/PC43C	21	1390	42.0	32.2	13.25	11.50
	(Y*(8,L)C/T*8V)*C20	FC/MC/PC43C	21	1450	42.5	32.6	13.25	11.50
	(Y*9C/T*9V)*C16	FC/MC/PC43C	21	1360	41.0	31.4	13.00	11.00
	(Y*9C/T*9V)*C20	FC/MC/PC43C	21	1395	41.0	31.6	13.00	11.00

For Notes See Page 15.

COOLING CAPACITY - With High Efficiency Motor Furnaces (Continued)

UNIT MODEL	FURNACE MODEL	COIL MODEL ¹	W	COOLING				
				RATED CFM	NET MBH		SEER	EER
					TOTAL	SENS.		
1 PH 13 SEER AC WITH VARIABLE SPEED FURNACES²								
CZB04211	(Y*(8,L)C/T*8V)*C16	FC/MC/PC48C	21	1330	42.5	32.0	13.25	11.50
	(Y*(8,L)C/T*8V)*C20	FC/MC/PC48C	21	1410	43.0	32.8	13.50	11.75
	(Y*9C/T*9V)*C16	FC/MC/PC48C	21	1395	41.5	32.2	13.00	11.00
	(Y*9C/T*9V)*C20	FC/MC/PC48C	21	1430	41.5	32.2	13.00	11.00
	(Y*(8,L)C/T*8V)*C16	FC/MC/PC48D	21	1330	42.5	32.0	13.25	11.50
	(Y*(8,L)C/T*8V)*C20	FC/MC/PC48D	21	1410	43.0	32.8	13.50	11.75
	(Y*9C/T*9V)*D20	FC/MC/PC48D	24	1450	41.5	32.4	13.00	11.00
	(Y*(8,L)C/T*8V)*C16	FC/MC/PC60D	21	1420	42.5	32.6	13.25	11.50
	(Y*(8,L)C/T*8V)*C20	FC/MC/PC60D	21	1365	42.5	31.8	13.50	11.75
	(Y*(8,L)C/T*8V)*C16	FC/PC60C	21	1420	42.5	32.6	13.25	11.50
	(Y*(8,L)C/T*8V)*C20	FC/PC60C	21	1340	42.5	32.0	13.50	11.75
	(Y*(8,L)C/T*8V)*C16	FC/MC62D	21	1420	43.0	33.2	13.50	11.75
	(Y*(8,L)C/T*8V)*C20	FC/MC62D	21	1365	43.0	32.8	13.75	12.00
	(Y*(8,L)C/T*8V)*C16	FC64D	21	1420	44.0	34.4	14.00	12.00
	(Y*(8,L)C/T*8V)*C20	FC64D	21	1410	44.5	34.4	14.00	12.25
	(Y*(8,L)C/T*8V)*C16	HC42	21	1425	41.0	31.6	13.00	11.00
	(Y*(8,L)C/T*8V)*C20	HC42	21	1450	41.0	31.6	13.00	11.00
	(Y*9C/T*9V)*C16	HC42	21	1360	41.0	31.4	13.00	11.00
	(Y*9C/T*9V)*C20	HC42	21	1395	41.0	31.6	13.00	11.00
	(Y*(8,L)C/T*8V)*B12	HD48	17	1350	40.5	30.6	13.00	11.00
	(Y*(8,L)C/T*8V)*C16	HD48	21	1435	41.5	31.6	13.00	11.00
	(Y*(8,L)C/T*8V)*C20	HD48	21	1410	41.5	31.8	13.50	11.00
	(Y*9C/T*9V)*B12	HD48	17	1150	40.0	29.2	13.00	11.00
	(Y*9C/T*9V)*C16	HD48	21	1395	41.0	31.6	13.00	11.00
	(Y*9C/T*9V)*C20	HD48	21	1430	41.0	31.6	13.00	11.00
	(Y*9C/T*9V)*D20	HD48	24	1450	41.5	31.6	13.00	11.00
	(Y*(8,L)C/T*8V)*C16	UC48C	21	1435	40.0	31.8	13.00	11.00
	(Y*(8,L)C/T*8V)*C20	UC48C	21	1410	40.0	31.8	13.00	11.00
(Y*9C/T*9V)*C16	UC48C	21	1395	40.0	31.6	13.00	11.00	
(Y*9C/T*9V)*D20	UC48D	24	1450	40.0	31.8	13.00	11.00	
CZB04811	T*(8,L)X*C16	FC/MC/PC48C	21	1600	47.5	35.0	13.00	11.00
	T*(8,L)X*C20	FC/MC/PC48C	21	1660	47.5	35.0	13.00	11.00
	T*9X*C16	FC/MC/PC48C	21	1565	48.0	35.2	13.00	11.50
	T*9X*C20	FC/MC/PC48C	21	1615	48.0	35.4	13.50	11.50
	T*9X*D20	FC/MC/PC48D	24	1635	47.0	34.5	13.00	11.00
	T*(8,L)X*C16	FC/PC60C	21	1605	47.5	35.0	13.00	11.00
	T*(8,L)X*C20	FC/PC60C	21	1595	47.5	35.0	13.00	11.00
	T*(8,L)X*C20	FC/MC/PC60D	21	1595	47.5	35.0	13.50	11.50
	T*9X*C16	FC/PC60C	21	1575	47.0	34.8	13.00	11.00
	T*9X*C20	FC/PC60C	21	1625	47.0	35.4	13.00	11.50
	T*9X*D20	FC/MC/PC60D	24	1490	47.5	34.4	13.00	11.00
	T*(8,L)X*C16	FC/MC62D	21	1610	48.5	36.0	13.00	11.50
	T*(8,L)X*C20	FC/MC62D	21	1665	48.5	36.2	13.50	11.50
	T*9X*C16	FC/MC62D	21	1550	48.5	36.0	13.00	11.50
	T*9X*C20	FC/MC62D	21	1595	48.5	36.0	13.50	11.50
	T*9X*D20	FC/MC62D	24	1610	47.5	35.3	13.00	11.00
	T*(8,L)X*C16	HD60	21	1610	47.5	34.2	13.00	11.00
	T*(8,L)X*C20	HD60	21	1665	47.5	34.2	13.00	11.00
	T*9X*C16	HD60	21	1575	47.5	34.5	13.00	11.00
	T*9X*C20	HD60	21	1625	47.0	33.8	13.00	11.00
T*9X*D20	HD60	24	1645	47.5	34.2	13.00	11.00	
T*(8,L)X*C16	UC60C	21	1640	47.0	34.4	13.00	11.00	

For Notes See Page 15.

COOLING CAPACITY - With High Efficiency Motor Furnaces (Continued)

UNIT MODEL	FURNACE MODEL	COIL MODEL ¹	W	COOLING				
				RATED CFM	NET MBH		SEER	EER
					TOTAL	SENS.		
1 PH 13 SEER AC WITH VARIABLE SPEED FURNACES²								
CZB04811	T*(8,L)X*C20	UC60C	21	1540	46.0	33.1	13.00	11.00
	T*(8,L)X*C20	UC60D	21	1540	47.0	33.8	13.50	11.50
	T*(8,L)X*C16	UC48C	21	1640	47.0	34.4	13.00	11.00
	T*(8,L)X*C20	UC48C	21	1515	46.5	34.2	13.50	11.50
	T*9X*C16	UC48C	21	1565	47.0	34.4	13.00	11.00
	T*9X*C20	UC48C	21	1615	47.0	34.4	13.00	11.50
	T*9X*D20	UC48D	24	1635	47.0	34.4	13.00	11.00
	T*9X*D20	UC60D	24	1490	46.5	33.4	13.50	11.50
	(Y*(8,L)C/T*8V)*C16	FC/MC/PC48C	21	1565	48.0	34.8	13.00	11.25
	(Y*(8,L)C/T*8V)*C20	FC/MC/PC48C	21	1640	49.0	35.6	13.50	11.50
	(Y*(8,L)C/T*8V)*C16	FC/MC/PC48D	21	1565	48.0	34.8	13.00	11.25
	(Y*(8,L)C/T*8V)*C20	FC/MC/PC48D	21	1640	49.0	35.6	13.50	11.50
	(Y*9C/T*9V)*D20	FC/MC/PC48D	24	1645	47.0	35.6	13.00	11.00
	(Y*(8,L)C/T*8V)*C16	FC/MC/PC60D	21	1600	48.0	34.6	13.25	11.25
	(Y*(8,L)C/T*8V)*C20	FC/MC/PC60D	21	1615	48.5	35.2	13.50	11.75
	(Y*9C/T*9V)*D20	FC/MC/PC60D	24	1615	47.5	35.6	13.00	11.00
	(Y*(8,L)C/T*8V)*C16	FC/MC62D	21	1635	49.0	36.2	13.50	11.75
	(Y*(8,L)C/T*8V)*C20	FC/MC62D	21	1620	49.0	36.4	13.75	11.75
	(Y*9C/T*9V)*D20	FC/MC62D	24	1630	47.5	36.0	13.00	11.00
	(Y*(8,L)C/T*8V)*C16	FC/PC60C	21	1625	47.5	35.8	13.00	11.00
	(Y*(8,L)C/T*8V)*C20	FC/PC60C	21	1605	47.5	35.8	13.00	11.00
	(Y*(8,L)C/T*8V)*C16	FC64D	21	1635	50.5	37.4	13.75	12.00
	(Y*(8,L)C/T*8V)*C20	HC42	21	1600	46.5	34.9	13.00	11.00
	(Y*(8,L)C/T*8V)*C16	HD60	21	1625	47.5	35.8	13.00	11.00
	(Y*(8,L)C/T*8V)*C20	HD60	21	1605	47.5	36.0	13.00	11.00
	(Y*9C/T*9V)*C16	HD60	21	1590	47.5	35.6	13.00	11.00
	(Y*9C/T*9V)*C20	HD60	21	1655	47.0	35.6	13.00	11.00
	(Y*9C/T*9V)*D20	HD60	24	1615	47.5	35.8	13.00	11.00
(Y*(8,L)C/T*8V)*C20	UC60C	21	1605	46.0	34.5	13.00	11.00	
CZB06011	T*(8,L)X*C16	FC/PC60C	21	1605	55.5	37.7	13.00	11.00
	T*(8,L)X*C20	FC/MC/PC60D	21	1690	56.5	37.7	13.00	11.00
	T*9X*D20	FC/MC/PC60D	24	1630	56.0	38.2	13.00	11.00
	T*9X*C20	FC/MC/PC60D	21	1645	56.5	39.2	13.00	11.00
	T*(8,L)X*C20	FC/MC62D	21	1665	56.5	39.0	13.00	11.00
	T*(8,L)X*C16	UC60C	21	1640	55.0	37.5	13.00	11.00
	T*(8,L)X*C20	UC60C	21	1735	54.5	38.0	13.00	11.00
	T*(8,L)X*C20	UC60D	21	1735	55.5	38.7	13.00	11.00
	T*9X*C20	UC60D	21	1645	55.0	37.5	13.00	11.00
	(Y*(8,L)C/T*8V)*C20	FC/MC/PC60D	21	1600	56.0	37.6	13.25	11.25
	(Y*9C/T*9V)*D20	FC/MC/PC60D	24	1605	56.0	37.3	13.00	11.00
	(Y*9C/T*9V)*C20	FC/PC60C	21	1630	56.0	37.8	13.00	11.00
	(Y*(8,L)C/T*8V)*C20	FC/MC62D	21	1615	57.5	39.0	13.50	11.50
	(Y*9C/T*9V)*D20	FC/MC62D	24	1630	56.5	38.0	13.00	11.00
	(Y*(8,L)C/T*8V)*C20	FC64D	21	1855	60.0	42.5	13.50	11.50
	(Y*(8,L)C/T*8V)*C20	HD60	21	1605	56.0	37.8	13.00	11.00
	(Y*9C/T*9V)*C20	HD60	21	1655	56.0	38.3	13.00	11.00
	(Y*9C/T*9V)*D20	HD60	24	1615	56.0	37.3	13.00	11.00
	(Y*(8,L)C/T*8V)*C20	UC60C	21	1605	54.5	36.3	13.00	11.00

1. MC coils available with a factory installed horizontal drain pan. See price pages for specific model number.

2. Variable speed furnaces have B.O.D (Blower on Delay) standard.

ACCESSORIES*

Hard Start Kit (024-31994-000, 024-31995-000) - Provides increased starting torque for areas with low voltage.

TXV Kits - 1TV09 series thermal expansion valves precisely meter refrigerant for optimum performance

Low Ambient Pressure Switch Kit (2LA06700424) - Allows use of air conditioning at low outdoor ambient temperatures. For use with models containing R-410A refrigerant only.

Dehumidistat (2HU16700124) - Provides increased dehumidification when matched with variable speed furnace or air handler.

Thermostats - Compatible thermostat controls are available through accessory sourcing. For optimum performance and installation, refer to the UPGNET “Low Voltage Wiring Diagram” document to select and apply controls.

SOUND POWER RATINGS*

UNIT MODEL	(dBA)
018	65
024	69
030	69
036	72
042	72
048	72
060	72

* Rated in accordance with ARI 270-95 Standards.

COOLING PERFORMANCE DATA																
OUTDOOR UNIT MODEL NO.		CZB01811														
INDOOR COIL MODEL NO.		FC/MC/PC/UC18														
CONDENSER ENTERING AIR TEMPERATURE	ID CFM	450					600					750				
	ID DB (°F)	80	80	75	80	80	80	80	75	80	80	80	80	75	80	80
	ID WB (°F)	57	62	62	67	72	57	62	62	67	72	57	62	62	67	72
65	T.C.	15.3	17.6	16.6	19.3	22.0	17.2	19.5	18.3	21.3	22.8	19.2	21.4	20.0	23.3	23.5
	S.C.	15.3	13.2	10.7	11.3	9.2	17.2	15.9	12.6	13.4	10.2	19.1	18.6	14.6	15.6	11.2
	K.W.	1.1	1.1	1.1	1.1	1.0	1.1	1.1	1.1	1.1	1.0	1.1	1.1	1.1	1.0	1.1
75	T.C.	14.7	16.9	16.0	18.4	20.6	16.5	18.7	17.6	20.2	21.5	18.4	20.4	19.2	22.0	22.5
	S.C.	14.7	13.0	10.5	10.9	8.7	16.5	15.5	12.4	12.9	9.7	18.3	17.9	14.3	15.0	10.8
	K.W.	1.2	1.2	1.2	1.2	1.2	1.2	1.2	1.2	1.2	1.2	1.2	1.2	1.2	1.2	1.2
85	T.C.	14.1	16.2	15.5	17.5	19.2	15.8	17.8	16.9	19.1	20.3	17.5	19.3	18.3	20.7	21.5
	S.C.	14.0	12.7	10.3	10.4	8.1	15.8	15.0	12.2	12.4	9.2	17.5	17.3	14.0	14.4	10.4
	K.W.	1.4	1.4	1.4	1.4	1.4	1.4	1.4	1.4	1.4	1.4	1.4	1.4	1.4	1.4	1.4
95	T.C.	13.4	15.5	14.9	16.6	17.9	15.1	16.9	16.1	18.0	19.1	16.7	18.3	17.4	19.4	20.4
	S.C.	13.4	12.4	10.1	10.0	7.5	15.0	14.5	11.9	11.9	8.7	16.7	16.6	13.8	13.8	10.0
	K.W.	1.6	1.6	1.6	1.6	1.6	1.6	1.6	1.6	1.6	1.6	1.6	1.6	1.6	1.6	1.5
105	T.C.	12.7	14.6	13.8	15.6	16.8	14.3	15.9	15.0	16.9	17.9	15.8	17.3	16.2	18.1	19.0
	S.C.	12.7	11.8	9.5	9.5	7.1	14.2	13.9	11.3	11.3	8.3	15.7	15.9	13.1	13.1	9.4
	K.W.	1.8	1.8	1.8	1.8	1.8	1.8	1.8	1.8	1.8	1.8	1.8	1.8	1.8	1.8	1.8
115	T.C.	12.0	13.7	12.7	14.6	15.7	13.5	15.0	13.9	15.7	16.6	14.9	16.4	15.1	16.9	17.6
	S.C.	12.0	11.3	8.9	9.0	6.8	13.4	13.2	10.7	10.7	7.8	14.8	15.2	12.4	12.5	8.8
	K.W.	2.1	2.1	2.1	2.0	2.0	2.1	2.1	2.0	2.0	2.0	2.0	2.0	2.0	2.0	2.0
125	T.C.	11.3	12.9	11.7	13.6	14.6	12.7	14.1	12.8	14.6	15.4	14.0	15.4	13.9	15.6	16.2
	S.C.	11.3	10.7	8.3	8.5	6.4	12.6	12.6	10.0	10.2	7.4	13.9	14.6	11.8	11.8	8.3
	K.W.	2.3	2.3	2.3	2.3	2.3	2.3	2.3	2.3	2.3	2.2	2.3	2.3	2.3	2.3	2.2

NOTE: ALL CAPACITIES ARE NET (KBTUH) WITH INDOOR FAN HEAT ALREADY DEDUCTED AT 1250 BTUH/1000 CFM.

Multipliers for determining the performance with other indoor sections.

NOTE: For dry bulb temperatures different than those listed (between 73-87 F), sensible capacity increases by 1060 BTUH per 1000 CFM per degree above the listed temperature and decreases by 1060 BTUH per 1000 CFM per degree below the listed temperature.

Air Handlers	Coils	T.C.	S.C.	KW
–	FC/MC/PC18	1.00	1.00	1.00
–	FC/MC/PC/UC24	1.00	1.00	1.00
–	FC/MC/PC/UC30	1.00	1.00	1.00
–	HC18	0.98	0.97	1.00
AHP18	–	1.00	1.00	1.00
AHP24	–	1.01	1.01	1.00
AHX18	–	1.00	1.02	0.92
AHX24	–	1.00	1.01	0.92
AHX30	–	1.03	1.05	0.91
AV*24	–	1.00	1.03	0.92
AV*36	–	1.06	1.09	0.93
F*FP024	–	1.00	1.00	1.00
F6FP018	–	1.00	1.01	0.96
F6FP024	–	1.00	1.01	0.92
F6FP030	–	1.03	1.06	0.95
MA08B	FC/MC18B	1.00	1.00	1.00
MA08B	FC/MC24B	1.00	1.00	1.00
MA08B	FC/MC30B	1.00	1.00	1.00
MV12B	MC18B	1.00	1.00	0.95

Continued on next page.

Furnaces	Coils	T.C.	S.C.	KW
T*(8,L)X*A12	FC/MC/PC18A	1.00	0.98	0.96
T*(8,L)X*B12	FC/MC/PC18B	0.99	1.00	0.95
T*9X*B12	FC/MC/PC18B	1.01	1.01	0.96
T*(8,L)X*A12	FC/MC/PC24A	1.03	1.05	0.95
T*(8,L)X*B12	FC/MC/PC24B	1.02	1.03	0.94
T*9X*B12	FC/MC/PC24B	1.04	1.05	0.96
T*(8,L)X*A12	FC/MC/PC30A	1.03	1.05	0.95
T*(8,L)X*B12	FC/MC/PC30B	1.02	1.03	0.94
T*9X*B12	FC/MC/PC30B	1.04	1.05	0.96
T*(8,L)X*A12	HD24	1.02	1.07	0.94
T*(8,L)X*B12	HD24	1.04	1.11	0.96
T*(8,L)X*C16	HD24	1.03	1.10	0.95
T*9X*B12	HD24	1.02	1.07	0.94
T*(8,L)X*A12	UC18A	1.02	1.03	0.97
T*(8,L)X*B12	UC18B	1.01	1.02	0.96
T*9X*B12	UC18B	1.02	1.03	0.97
T*(8,L)X*A12	UC24A	1.03	1.04	0.98
T*(8,L)X*B12	UC24B	1.02	1.03	0.94
T*9X*B12	UC24B	1.03	1.05	0.95
T*(8,L)X*A12	UC30A	1.03	1.04	0.98
T*(8,L)X*B12	UC30B	1.02	1.05	0.94
T*9X*B12	UC30B	1.03	1.05	0.95
(Y*(8,L)C/T*8V)*A12	FC/MC/PC18A	1.03	1.04	0.93
(Y*(8,L)C/T*8V)*B12	FC/MC/PC18B	1.03	1.05	0.94
(Y*9C/T*9V)*B12	FC/MC/PC18B	1.03	1.05	0.91
(Y*(8,L)C/T*8V)*A12	FC/MC/PC24A	1.07	1.09	0.95
(Y*(8,L)C/T*8V)*B12	FC/MC/PC24B	1.05	1.06	0.93

Furnaces	Coils	T.C.	S.C.	KW
(Y*9C/T*9V)*B12	FC/MC/PC24B	1.06	1.10	0.91
(Y*(8,L)C/T*8V)*A12	FC/MC/PC30A	1.07	1.09	0.95
(Y*(8,L)C/T*8V)*B12	FC/MC/PC30B	1.05	1.06	0.93
(Y*9C/T*9V)*B12	FC/MC/PC30B	1.06	1.10	0.91
(Y*(8,L)C/T*8V)*A12	FC/MC/PC32A	1.05	1.07	0.94
(Y*(8,L)C/T*8V)*B12	FC/MC/PC35B	1.05	1.08	0.94
(Y*(8,L)C/T*8V)*C16	FC/MC/PC35C	1.07	1.10	0.95
(Y*(8,L)C/T*8V)*A12	FC/MC/PC36A	1.07	1.09	0.95
(Y*(8,L)C/T*8V)*B12	FC/MC/PC36B	1.07	1.11	0.95
(Y*(8,L)C/T*8V)*C16	FC/MC/PC36C	1.06	1.08	0.94
(Y*(8,L)C/T*8V)*A12	FC/MC/PC37A	1.08	1.10	0.96
(Y*(8,L)C/T*8V)*B12	FC/MC/PC42B	1.01	1.02	0.93
(Y*(8,L)C/T*8V)*C16	FC/MC/PC42C	1.00	1.02	0.92
(Y*(8,L)C/T*8V)*B12	FC/MC/PC43B	1.05	1.05	0.94
(Y*(8,L)C/T*8V)*A12	HC18	1.03	1.05	0.92
(Y*(8,L)C/T*8V)*A12	HD24	1.08	1.11	0.92
(Y*(8,L)C/T*8V)*B12	HD24	1.07	1.07	0.90
(Y*9C/T*9V)*B12	HD24	1.09	1.12	0.91
(Y*(8,L)C/T*8V)*A12	UC18A	1.04	1.06	0.92
(Y*(8,L)C/T*8V)*B12	UC18B	1.03	1.03	0.91
(Y*9C/T*9V)*B12	UC18B	1.04	1.06	0.91
(Y*(8,L)C/T*8V)*A12	UC24A	1.06	1.11	0.92
(Y*(8,L)C/T*8V)*B12	UC24B	1.05	1.06	0.90
(Y*9C/T*9V)*B12	UC24B	1.06	1.11	0.91
(Y*(8,L)C/T*8V)*A12	UC30A	1.06	1.11	0.92
(Y*(8,L)C/T*8V)*B12	UC30B	1.05	1.06	0.90
(Y*9C/T*9V)*B12	UC30B	1.06	1.11	0.91

COOLING PERFORMANCE DATA																
OUTDOOR UNIT MODEL NO.		CZB02411														
INDOOR COIL MODEL NO.		FC/MC/PC/UC24														
CONDENSER ENTERING AIR TEMPERATURE	ID CFM	600					800					1000				
	ID DB (°F)	80	80	75	80	80	80	80	75	80	80	80	80	75	80	80
	ID WB (°F)	57	62	62	67	72	57	62	62	67	72	57	62	62	67	72
65	T.C.	19.2	19.4	22.0	23.0	26.2	21.5	21.2	22.1	23.8	26.5	23.8	25.7	22.3	24.6	26.8
	S.C.	18.9	16.4	15.9	15.7	11.9	21.2	20.9	18.1	18.3	13.4	23.5	25.4	20.3	21.0	14.8
	K.W.	1.8	1.9	1.8	1.8	1.8	1.8	1.8	1.8	1.8	1.8	1.8	1.8	1.9	1.8	1.8
75	T.C.	21.5	22.3	20.7	24.9	27.5	23.1	23.5	22.5	25.8	28.5	24.7	24.7	24.3	26.7	29.5
	S.C.	21.2	18.3	14.9	15.5	12.4	22.8	21.3	17.3	17.7	13.8	24.4	24.4	19.8	19.9	15.2
	K.W.	1.6	1.6	1.6	1.6	1.6	1.6	1.6	1.6	1.6	1.6	1.6	1.6	1.6	1.6	1.6
85	T.C.	20.3	20.8	21.4	23.9	26.8	22.3	23.0	22.3	24.8	27.5	24.3	25.2	23.3	25.7	28.2
	S.C.	20.0	17.3	15.4	15.6	12.1	22.0	21.1	17.7	18.0	13.6	23.9	24.9	20.0	20.4	15.0
	K.W.	1.7	1.7	1.7	1.7	1.7	1.7	1.7	1.7	1.7	1.7	1.7	1.7	1.7	1.7	1.7
95	T.C.	18.9	19.6	19.7	22.2	25.0	20.8	21.4	20.6	23.0	25.7	22.6	23.3	21.5	23.8	26.3
	S.C.	18.6	16.5	14.3	14.5	11.5	20.5	19.8	16.5	16.8	12.9	22.3	23.0	18.7	19.1	14.3
	K.W.	2.1	2.1	2.1	2.1	2.1	2.1	2.1	2.1	2.1	2.1	2.1	2.0	2.1	2.0	2.0
105	T.C.	17.4	18.3	18.0	20.4	23.2	19.2	19.8	18.9	21.2	23.8	21.0	21.4	19.7	22.0	24.5
	S.C.	17.2	15.7	13.2	13.4	10.9	18.9	18.4	15.2	15.6	12.2	20.7	21.1	17.3	17.8	13.6
	K.W.	2.4	2.4	2.4	2.4	2.4	2.4	2.4	2.4	2.4	2.4	2.4	2.4	2.4	2.4	2.4
115	T.C.	16.0	17.2	16.4	18.7	21.4	17.7	18.3	17.2	19.4	22.0	19.3	19.5	17.9	20.2	22.7
	S.C.	15.8	15.0	12.1	12.4	10.3	17.4	17.1	14.0	14.4	11.6	19.1	19.2	15.9	16.5	12.8
	K.W.	2.8	2.7	2.7	2.7	2.7	2.7	2.7	2.7	2.7	2.7	2.7	2.7	2.7	2.7	2.7
125	T.C.	14.6	15.9	14.8	17.0	19.6	16.2	16.7	15.5	17.7	20.3	17.7	17.6	16.2	18.4	21.0
	S.C.	14.4	14.2	11.0	11.4	9.7	16.0	15.8	12.8	13.3	10.9	17.5	17.3	14.6	15.2	12.1
	K.W.	3.1	3.1	3.1	3.1	3.1	3.1	3.1	3.1	3.1	3.1	3.1	3.1	3.1	3.1	3.1

NOTE: ALL CAPACITIES ARE NET (KBTUH) WITH INDOOR FAN HEAT ALREADY DEDUCTED AT 1250 BTUH/1000 CFM.

Multipliers for determining the performance with other indoor sections.

NOTE: For dry bulb temperatures different than those listed (between 73-87 F), sensible capacity increases by 1060 BTUH per 1000 CFM per degree above the listed temperature and decreases by 1060 BTUH per 1000 CFM per degree below the listed temperature.

Air Handlers	Coils	T.C.	S.C.	KW
-	FC/MC/PC/UC24	1.00	1.00	1.00
-	FC/MC/PC/UC30	1.00	1.01	1.00
-	HC30	0.98	0.98	1.00
-	HD24	0.98	0.98	1.00
AHP24	-	1.00	1.01	1.00
AHX18	-	0.99	1.00	0.93
AHX24	-	1.00	1.01	0.94
AHX30	-	1.02	1.04	0.96
AHX36	-	1.02	1.05	0.92
AV*24	-	1.00	1.00	0.94
AV*36	-	1.02	1.00	0.92
F6FP024	-	1.00	1.02	0.94
F6FP030	-	1.01	1.03	0.99
F6FP036	-	1.02	1.04	0.96
MA08B	FC/MC24B	1.00	1.01	1.00
MA08B	FC/MC30B	1.00	1.01	1.00
MV12B	MC24B	1.00	1.01	0.95

Furnaces	Coils	T.C.	S.C.	KW
T*(8,L)X*A12	FC/MC/PC24A	1.01	1.01	0.95
T*(8,L)X*B12	FC/MC/PC24B	1.01	1.03	0.95
T*9X*B12	FC/MC/PC24B	1.00	1.00	0.94
T*(8,L)X*A12	FC/MC/PC30A	1.00	1.00	0.94
T*(8,L)X*B12	FC/MC/PC30B	1.01	1.03	0.95
T*9X*B12	FC/MC/PC30B	1.00	1.00	0.94

Furnaces	Coils	T.C.	S.C.	KW
T*(8,L)X*A12	FC/MC/PC32A	1.00	1.02	0.94
T*(8,L)X*A12	UC24A	1.01	1.02	0.95
T*(8,L)X*B12	UC24B	1.01	1.02	0.95
T*9X*B12	UC24B	1.01	1.02	0.95
T*(8,L)X*A12	UC30A	1.01	1.02	0.95
T*(8,L)X*B12	UC30B	1.01	1.02	0.95
T*9X*B12	UC30B	1.01	1.02	0.95
(Y*(8,L)C/T*8V)*A12	FC/MC/PC24A	1.02	1.02	0.95
(Y*(8,L)C/T*8V)*B12	FC/MC/PC24B	1.02	1.01	0.93
(Y*9C/T*9V)*B12	FC/MC/PC24B	1.02	1.02	0.93
(Y*(8,L)C/T*8V)*A12	FC/MC/PC30A	1.02	1.02	0.93
(Y*(8,L)C/T*8V)*B12	FC/MC/PC30B	1.02	1.01	0.93
(Y*9C/T*9V)*B12	FC/MC/PC30B	1.02	1.02	0.93
(Y*(8,L)C/T*8V)*A12	FC/MC/PC32A	1.02	1.03	0.93
(Y*(8,L)C/T*8V)*B12	FC/MC/PC35B	1.03	1.04	0.94
(Y*(8,L)C/T*8V)*C16	FC/MC/PC35C	1.03	1.04	0.92
(Y*(8,L)C/T*8V)*C20	FC/MC/PC35C	1.03	1.02	0.92
(Y*(8,L)C/T*8V)*A12	FC/MC/PC36A	1.03	1.04	0.96
(Y*(8,L)C/T*8V)*B12	FC/MC/PC36B	1.03	1.03	0.94
(Y*(8,L)C/T*8V)*C16	FC/MC/PC36C	1.03	1.03	0.93
(Y*(8,L)C/T*8V)*C20	FC/MCP/C36C	1.02	1.01	0.93
(Y*(8,L)C/T*8V)*A12	FC/MC/PC37A	1.04	1.04	0.95
(Y*(8,L)C/T*8V)*B12	FC/MC/PC42B	1.01	1.01	0.94
(Y*(8,L)C/T*8V)*C16	FC/MC/PC42C	0.98	0.99	0.92
(Y*(8,L)C/T*8V)*C20	FC/MC/PC42C	0.98	0.99	0.92

Furnaces	Coils	T.C.	S.C.	KW
(Y*(8,L)C/T*8V)*B12	FC/MC/PC43B	1.04	1.05	0.93
(Y*(8,L)C/T*8V)*C16	FC/MC/PC43C	1.04	1.05	0.93.
(Y*(8,L)C/T*8V)*C20	FC/MC/PC43C	1.03	1.03	0.93
(Y*(8,L)C/T*8V)*A12	HC30	1.01	1.01	0.93
(Y*(8,L)C/T*8V)*A12	HD24	1.05	1.06	0.93
(Y*(8,L)C/T*8V)*B12	HD24	1.05	1.06	0.92
(Y*9C/T*9V)*B12	HD24	1.05	1.06	0.93
(Y*(8,L)C/T*8V)*A12	UC24A	1.03	1.04	0.92
(Y*(8,L)C/T*8V)*B12	UC24B	1.03	1.04	0.91
(Y*9C/T*9V)*B12	UC24B	1.03	1.04	0.93
(Y*(8,L)C/T*8V)*A12	UC30A	1.03	1.04	0.92
(Y*(8,L)C/T*8V)*B12	UC30B	1.03	1.04	0.91
(Y*9C/T*9V)*B12	UC30B	1.03	1.04	0.93

COOLING PERFORMANCE DATA																
OUTDOOR UNIT MODEL NO.		CZB03011														
INDOOR COIL MODEL NO.		FC/MC/PC/UC30														
CONDENSER ENTERING AIR TEMPERATURE	ID CFM	800					1000					1200				
	ID DB (°F)	80	80	75	80	80	80	80	75	80	80	80	80	75	80	80
	ID WB (°F)	57	62	62	67	72	57	62	62	67	72	57	62	62	67	72
65	T.C.	22.5	23.1	25.7	30.8	34.9	25.0	25.2	26.9	30.4	34.6	27.5	27.4	28.0	30.1	34.3
	S.C.	23.0	19.2	18.2	21.2	17.3	25.7	23.9	20.8	22.5	18.1	28.3	28.5	23.4	23.9	19.0
	K.W.	2.3	5.2	2.3	2.4	2.4	2.3	3.7	2.3	2.4	2.4	2.3	2.3	2.3	2.4	2.4
75	T.C.	25.8	28.5	29.0	31.5	35.5	28.0	29.8	29.9	32.5	36.7	30.3	31.1	30.8	33.6	37.9
	S.C.	26.7	24.6	21.1	20.6	17.0	29.0	26.9	23.2	22.7	18.5	31.3	29.2	25.3	24.9	20.0
	K.W.	2.0	2.0	2.0	2.0	2.1	2.0	2.0	2.0	2.0	2.1	2.0	2.0	2.0	2.0	2.1
85	T.C.	24.2	31.7	27.4	31.2	35.2	26.5	30.5	28.4	31.5	35.6	28.9	29.3	29.4	31.8	36.1
	S.C.	24.9	21.9	19.7	20.9	17.2	27.3	25.4	22.0	22.6	18.3	29.8	28.9	24.3	24.4	19.5
	K.W.	2.2	3.6	2.1	2.2	2.3	2.1	2.9	2.1	2.2	2.3	2.1	2.1	2.1	2.2	2.3
95	T.C.	23.3	21.5	25.9	28.6	32.3	25.5	24.6	26.8	29.4	33.0	27.6	27.7	27.7	30.2	33.8
	S.C.	24.0	22.2	19.3	19.5	15.9	26.3	25.1	21.5	21.5	17.3	28.5	28.0	23.7	23.5	18.8
	K.W.	2.5	3.6	2.5	2.6	2.6	2.5	3.1	2.5	2.6	2.6	2.5	2.5	2.5	2.6	2.6
105	T.C.	22.4	11.2	24.3	26.1	29.5	24.4	23.7	25.2	27.3	30.4	26.3	26.2	26.0	28.5	31.4
	S.C.	23.2	22.6	19.0	18.2	14.6	25.2	24.8	21.0	20.4	16.3	27.2	27.1	23.0	22.5	18.1
	K.W.	2.9	3.6	2.9	3.0	3.0	2.9	3.2	2.9	3.0	3.0	2.9	2.9	2.9	3.0	3.0
115	T.C.	21.6	21.9	22.9	23.6	26.7	23.4	23.5	23.6	25.3	27.9	25.1	24.7	24.4	27.0	29.2
	S.C.	22.4	22.9	18.7	16.9	13.3	24.2	24.5	20.5	19.3	15.3	26.0	26.2	22.3	21.6	17.4
	K.W.	3.2	3.6	3.2	3.3	3.4	3.2	3.4	3.2	3.3	3.4	3.3	3.2	3.2	3.4	3.4
125	T.C.	20.8	22.2	21.4	21.1	23.9	22.3	23.2	22.1	23.2	25.4	23.9	23.2	22.7	25.4	26.9
	S.C.	21.6	23.3	18.4	15.6	12.1	23.1	24.3	20.0	18.2	14.4	24.7	25.3	21.7	20.7	16.7
	K.W.	3.5	3.6	3.6	3.7	3.7	3.6	3.6	3.6	3.7	3.7	3.6	3.6	3.6	3.7	3.8

NOTE: ALL CAPACITIES ARE NET (KBTUH) WITH INDOOR FAN HEAT ALREADY DEDUCTED AT 1250 BTUH/1000 CFM.

Multipliers for determining the performance with other indoor sections.

NOTE: For dry bulb temperatures different than those listed (between 73-87 F), sensible capacity increases by 1060 BTUH per 1000 CFM per degree above the listed temperature and decreases by 1060 BTUH per 1000 CFM per degree below the listed temperature.

Air Handlers	Coils	T.C.	S.C.	KW
–	FC/MC/PC/UC36	1.02	1.01	1.00
–	HC36	1.02	1.01	1.00
–	HD36	1.02	1.01	1.00
AHP36	–	1.02	1.01	1.00
AHP30	–	1.02	1.01	1.00
AHX30	–	1.02	1.04	0.97
AHX36	–	1.02	1.05	0.93
AHX42	–	1.05	1.08	0.96
AHX48	–	1.07	1.12	0.97
AV*36	–	1.02	1.03	0.93
F*FP036	–	1.04	1.03	1.00
F6FP030	–	1.01	1.02	0.99
F6FP036	–	1.01	1.01	0.95
F6FP042	–	1.06	1.09	0.96
F6FP048	–	1.02	1.07	0.97
MA12B	FC/MC30B	1.01	1.00	1.00
MA12B	FC/MC36B	1.02	1.01	1.00
MV12B	MC36B	1.04	1.03	0.95

Continued on next page.

Furnaces	Coils	T.C.	S.C.	KW
T*(8,L)X*A12	FC/MC/PC30A	1.01	1.03	1.04
T*(8,L)X*B12	FC/MC/PC30B	1.00	0.99	0.99
T*9X*B12	FC/MC/PC30B	1.01	1.03	0.99
T*(8,L)X*A12	FC/MC/PC32A	1.00	1.00	1.03
T*(8,L)X*B12	FC/MC/PC35B	1.01	1.05	1.00
T*(8,L)X*C16	FC/MC/PC35C	1.02	1.06	1.01
T*(8,L)X*C20	FC/MC/PC35C	0.99	0.98	0.98
T*9X*B12	FC/MC/PC35B	1.01	1.05	1.04
T*9X*C16	FC/MC/PC35C	1.02	1.05	1.01
T*(8,L)X*A12	FC/MC/PC36A	1.01	1.01	0.99
T*(8,L)X*B12	FC/MC/PC36B	1.01	1.04	1.00
T*(8,L)X*C16	FC/MC/PC36C	1.02	1.05	1.01
T*(8,L)X*C20	FC/MC/PC36C	1.00	0.99	0.95
T*9X*B12	FC/MC/PC36B	1.01	1.03	1.00
T*9X*C16	FC/MC/PC36C	1.02	1.05	1.01
T*(8,L)X*A12	FC/MC/PC37A	1.03	1.08	1.01
T*(8,L)X*C16	HD36	1.01	1.05	0.99
T*(8,L)X*A12	UC30A	1.01	1.03	1.05
T*(8,L)X*B12	UC30B	1.00	1.04	0.99
T*9X*B12	UC30B	1.01	1.02	0.99
T*(8,L)X*A12	UC36A	0.98	1.00	1.01
T*(8,L)X*B12	UC36B	0.98	1.01	0.97
T*(8,L)X*C16	UC36C	0.95	0.93	0.94
T*(8,L)X*C20	UC36C	0.99	0.98	0.97
T*9X*B12	UC36B	0.98	1.00	1.01
T*9X*C16	UC36C	0.99	1.00	0.97
(Y*(8,L)C/T*8V)*A12	FC/MC/PC30A	1.02	1.05	0.98
(Y*(8,L)C/T*8V)*B12	FC/MC/PC30B	1.01	1.01	0.93
(Y*9C/T*9V)*B12	FC/MC/PC30B	1.02	1.04	0.95
(Y*(8,L)C/T*8V)*A12	FC/MC/PC32A	1.03	1.04	1.01
(Y*(8,L)C/T*8V)*B12	FC/MC/PC35B	1.03	1.06	0.95
(Y*9C/T*9V)*B12	FC/MC/PC35B	1.02	1.06	0.97
(Y*(8,L)C/T*8V)*C16	FC/MC/PC35C	1.01	0.99	0.96
(Y*(8,L)C/T*8V)*C20	FC/MC/PC35C	1.04	1.06	0.96
(Y*9C/T*9V)*C16	FC/MC/PC35C	1.03	1.06	0.94

Furnaces	Coils	T.C.	S.C.	KW
(Y*9C/T*9V)*C20	FC/MC/PC35C	1.03	1.06	0.94
(Y*(8,L)C/T*8V)*A12	FC/MC/PC36A	1.03	1.03	0.95
(Y*(8,L)C/T*8V)*B12	FC/MC/PC36B	1.02	1.01	0.97
(Y*9C/T*9V)*B12	FC/MC/PC36B	1.03	1.03	0.94
(Y*(8,L)C/T*8V)*C16	FC/MC/PC36C	1.03	1.03	0.96
(Y*(8,L)C/T*8V)*C20	FC/MC/PC36C	1.03	1.04	0.98
(Y*9C/T*9V)*C16	FC/MC/PC36C	1.03	1.05	0.93
(Y*9C/T*9V)*C20	FC/MC/PC36C	1.03	1.05	0.94
(Y*(8,L)C/T*8V)*A12	FC/MC/PC37A	1.04	1.05	0.97
(Y*(8,L)C/T*8V)*B12	FC/MC/PC42B	1.01	0.99	0.96
(Y*(8,L)C/T*8V)*C16	FC/MC/PC42C	1.03	1.04	0.95
(Y*(8,L)C/T*8V)*C20	FC/MC/PC42C	1.03	1.04	0.93
(Y*(8,L)C/T*8V)*C20	FC/MC/PC43C	1.07	1.08	0.93
(Y*(8,L)C/T*8V)*C16	FC/MC/PC48C	1.07	1.08	0.95
(Y*(8,L)C/T*8V)*C20	FC/MC/PC48C	1.07	1.09	0.96
(Y*(8,L)C/T*8V)*C16	FC/PC60C	1.07	1.09	0.95
(Y*(8,L)C/T*8V)*C20	FC/PC60C	1.05	1.06	0.94
(Y*(8,L)C/T*8V)*B12	HC36	1.03	1.04	0.95
(Y*9C/T*9V)*B12	HC36	1.02	1.06	0.97
(Y*(8,L)C/T*8V)*A12	HD36	1.02	1.00	0.95
(Y*(8,L)C/T*8V)*B12	HD36	1.02	1.01	0.94
(Y*(8,L)C/T*8V)*C16	HD36	1.02	1.01	0.93
(Y*(8,L)C/T*8V)*C20	HD36	1.03	1.04	0.93
(Y*9C/T*9V)*B12	HD36	1.02	1.01	0.94
(Y*9C/T*9V)*C16	HD36	1.02	1.01	0.93
(Y*9C/T*9V)*C20	HD36	1.02	1.01	0.94
(Y*(8,L)C/T*8V)*A12	UC30A	1.03	1.05	0.98
(Y*(8,L)C/T*8V)*B12	UC30B	1.01	1.02	0.93
(Y*9C/T*9V)*B12	UC30B	1.02	1.02	0.95
(Y*(8,L)C/T*8V)*A12	UC36A	0.99	0.99	0.95
(Y*(8,L)C/T*8V)*B12	UC36B	1.00	0.99	0.93
(Y*9C/T*9V)*B12	UC36B	1.00	0.99	0.94
(Y*(8,L)C/T*8V)*C16	UC36C	1.00	1.01	0.93
(Y*(8,L)C/T*8V)*C20	UC36C	1.00	1.02	0.93
(Y*9C/T*9V)*C16	UC36C	1.00	1.01	0.93
(Y*9C/T*9V)*C20	UC36C	1.00	1.01	0.94

COOLING PERFORMANCE DATA																
OUTDOOR UNIT MODEL NO.		CZB03611														
INDOOR COIL MODEL NO.		FC/MC/PC35														
CONDENSER ENTERING AIR TEMPERATURE	ID CFM	1050					1200					1350				
	ID DB (°F)	80	80	75	80	80	80	80	75	80	80	80	80	75	80	80
	ID WB (°F)	57	62	62	67	72	57	62	62	67	72	57	62	62	67	72
65	T.C.	32.7	33.4	31.9	34.6	38.3	34.4	34.2	32.1	35.6	38.5	36.1	34.9	32.4	36.6	38.7
	S.C.	30.7	30.6	24.4	24.3	19.2	31.9	32.4	26.2	33.4	20.7	33.1	34.1	28.0	42.5	22.1
	K.W.	2.9	2.9	2.9	2.9	2.9	2.9	2.9	2.9	2.9	2.9	2.9	2.9	2.9	2.9	2.9
75	T.C.	35.5	36.2	35.4	38.9	41.7	36.8	37.3	36.0	39.8	42.2	38.1	38.4	36.6	40.6	42.6
	S.C.	33.7	31.3	26.3	26.3	21.1	35.1	33.5	28.0	20.8	22.1	36.6	35.6	29.8	15.4	23.2
	K.W.	2.5	2.5	2.5	2.5	2.5	2.5	2.5	2.5	2.5	2.5	2.5	2.5	2.5	2.5	2.5
85	T.C.	34.1	34.8	33.6	36.7	40.0	35.6	35.7	34.0	37.7	40.3	37.1	36.6	34.5	38.6	40.7
	S.C.	32.2	31.0	25.3	25.3	20.1	33.5	32.9	27.1	27.1	21.4	34.8	34.9	28.9	29.0	22.7
	K.W.	2.7	2.7	2.7	2.7	2.7	2.7	2.7	2.7	2.7	2.7	2.7	2.7	2.7	2.7	2.7
95	T.C.	32.4	32.9	31.6	34.8	37.5	33.8	33.8	32.0	35.6	37.8	35.1	34.7	32.4	36.4	38.2
	S.C.	30.5	29.7	24.4	24.6	19.4	31.8	31.4	26.1	26.3	20.6	33.0	33.1	27.8	28.0	21.8
	K.W.	3.2	3.2	3.2	3.2	3.2	3.2	3.2	3.2	3.2	3.2	3.2	3.2	3.2	3.2	3.2
105	T.C.	30.7	31.0	29.5	32.9	35.1	31.9	31.9	30.0	33.5	35.4	33.1	32.8	30.4	34.2	35.6
	S.C.	28.9	28.3	23.5	23.8	18.6	30.0	29.8	25.0	25.5	19.8	31.1	31.2	26.6	27.1	21.0
	K.W.	3.6	3.6	3.6	3.6	3.6	3.6	3.6	3.6	3.6	3.6	3.6	3.6	3.6	3.6	3.6
115	T.C.	29.0	29.1	27.6	31.0	32.7	30.1	30.0	28.0	31.5	33.0	31.2	30.9	28.4	32.1	33.2
	S.C.	27.3	27.0	22.6	23.0	17.8	28.3	28.2	24.0	24.6	19.0	29.3	29.5	25.5	26.2	20.2
	K.W.	4.1	4.1	4.1	4.1	4.0	4.1	4.1	4.1	4.0	4.0	4.1	4.1	4.1	4.0	4.1
125	T.C.	27.4	27.2	25.6	29.1	30.3	28.3	28.2	26.0	29.5	30.5	29.3	29.1	26.4	29.9	30.8
	S.C.	25.7	25.7	21.7	22.3	17.1	26.6	26.7	23.0	23.8	18.2	27.5	27.7	24.4	25.3	19.3
	K.W.	4.5	4.5	4.5	4.5	4.5	4.5	4.5	4.5	4.5	4.5	4.5	4.5	4.5	4.5	4.5

NOTE: ALL CAPACITIES ARE NET (KBTUH) WITH INDOOR FAN HEAT ALREADY DEDUCTED AT 1250 BTUH/1000 CFM.

Multipliers for determining the performance with other indoor sections.

NOTE: For dry bulb temperatures different than those listed (between 73-87 F), sensible capacity increases by 1060 BTUH per 1000 CFM per degree above the listed temperature and decreases by 1060 BTUH per 1000 CFM per degree below the listed temperature.

Air Handlers	Coils	T.C.	S.C.	KW
-	FC/MC/PC/UC36	1.00	1.00	1.00
-	FC/MC/PC/UC42	1.01	1.00	1.00
-	HC36	1.01	1.00	1.00
-	HD36	1.00	1.00	1.00
AHP36	-	1.01	1.00	1.00
AHP42	-	1.01	1.00	1.00
AHX36	-	1.01	1.03	0.95
AHX42	-	1.04	1.06	0.94
AHX48	-	1.04	1.06	0.98
AHX60	-	1.06	1.10	0.95
AV*36	-	1.01	1.00	0.95
F*FP036	-	1.01	1.01	1.00
F*FP048	-	1.02	1.01	1.00
F6FP036	-	1.00	0.99	0.98
F6FP042	-	1.05	1.08	0.99
F6FP048	-	0.99	0.99	0.98
F6FP060	-	1.06	1.07	0.99
MA12B	FC/MC36B	1.00	1.00	1.00
MA12B	FC/MC42B	1.01	1.00	1.00
MV12B	MC36B	1.01	1.00	1.00
MV12B	MC42B	1.01	1.01	1.00

Continued on next page.

Furnaces	Coils	T.C.	S.C.	KW
T*(8,L)X*B12	FC/MC/PC35B	1.01	1.03	0.99
T*(8,L)X*C16	FC/MC/PC35C	1.00	0.99	0.98
T*(8,L)X*C20	FC/MC/PC35C	1.01	1.02	0.99
T*9X*B12	FC/MC/PC35B	1.00	1.02	0.98
T*9X*C16	FC/MC/PC35C	1.01	1.03	0.99
T*9X*C20	FC/MC/PC35C	1.01	1.02	0.99
T*(8,L)X*A12	FC/MC/PC36A	0.99	0.99	1.02
T*(8,L)X*B12	FC/MC/PC36B	1.01	1.01	0.99
T*(8,L)X*C16	FC/MC/PC36C	0.99	0.97	0.98
T*(8,L)X*C20	FC/MC/PC36C	1.01	1.03	0.99
T*9X*B12	FC/MC/PC36B	1.01	1.00	0.99
T*9X*C16	FC/MC/PC36C	1.01	1.03	0.99
T*9X*C20	FC/MC/PC36C	1.01	1.00	0.99
T*(8,L)X*A12	FC/MC/PC37A	0.99	1.02	0.98
T*(8,L)X*B12	FC/MC/PC42B	1.00	0.98	0.98
T*(8,L)X*C16	FC/MC/PC42C	1.00	0.99	0.98
T*(8,L)X*C20	FC/MC/PC42C	1.01	1.02	0.99
T*9X*B12	FC/MC/PC42B	1.00	1.01	0.98
T*9X*C16	FC/MC/PC42C	1.01	1.01	0.99
T*9X*C20	FC/MC/PC42C	0.99	0.98	0.98
T*(8,L)X*B12	FC/MC/PC43B	1.03	1.06	1.02
T*(8,L)X*C16	FC/MC/PC43C	1.03	1.04	0.97
T*(8,L)X*C20	FC/MC/PC43C	1.04	1.07	0.98
T*9X*B12	FC/MC/PC43B	1.03	1.06	1.02
T*9X*C16	FC/MC/PC43C	1.03	1.07	0.97
T*9X*C20	FC/MC/PC43C	1.03	1.04	0.97
T*(8,L)X*C16	FC/MC/PC48C	1.04	1.06	0.96
T*(8,L)X*C20	FC/MC/PC48C	1.06	1.08	0.95
T*9X*C16	FC/MC/PC48C	1.05	1.08	0.99
T*9X*C20	FC/MC/PC48C	1.04	1.05	0.98
T*9X*D20	FC/MC/PC48D	1.04	1.05	0.98
T*(8,L)X*A12	HD36	1.01	1.02	0.99
T*(8,L)X*B12	HD36	1.01	1.02	0.99
T*(8,L)X*C16	HD36	0.99	0.96	0.98
T*9X*B12	HD36	1.01	1.02	0.99
T*(8,L)X*C16	HD48	0.98	1.00	0.96
T*(8,L)X*C20	HD48	1.04	1.07	0.98
T*9X*C16	HD48	1.04	1.08	0.98
T*9X*C20	HD48	1.04	1.07	0.98
T*(8,L)X*A12	UC36A	0.97	0.97	1.00
T*(8,L)X*B12	UC36B	0.98	0.97	1.00
T*(8,L)X*C16	UC36C	0.99	0.98	0.97
T*(8,L)X*C20	UC36C	0.99	1.00	0.94
T*9X*B12	UC36B	0.97	0.97	1.00
T*9X*C16	UC36C	0.98	0.97	1.00
T*9X*C20	UC36C	0.98	0.98	0.97
T*(8,L)X*B12	UC42B	0.99	0.99	1.02
T*(8,L)X*C16	UC42C	0.99	0.97	0.94
T*(8,L)X*C20	UC42C	0.99	0.99	0.98
T*9X*B12	UC42B	0.99	0.99	1.02
T*9X*C16	UC42C	0.99	0.99	0.97
T*9X*C20	UC42C	0.99	1.00	0.98
T*(8,L)X*C16	UC48C	1.01	1.01	0.95
T*(8,L)X*C20	UC48C	1.01	1.04	0.95
T*9X*C16	UC48C	1.01	1.02	0.99
T*9X*C20	UC48C	1.00	1.00	0.98

Furnaces	Coils	T.C.	S.C.	KW
T*9X*D20	UC48D	1.00	1.01	0.98
(Y*(8,L)C/T*8V)*B12	FC/MC/PC35B	1.01	1.01	0.98
(Y*9C/T*9V)*B12	FC/MC/PC35B	1.00	1.01	0.98
(Y*(8,L)C/T*8V)*C16	FC/MC/PC35C	1.02	1.04	0.95
(Y*(8,L)C/T*8V)*C20	FC/MC/PC35C	1.01	1.02	0.94
(Y*9C/T*9V)*C16	FC/MC/PC35C	1.01	1.02	0.96
(Y*9C/T*9V)*C20	FC/MC/PC35C	1.02	1.06	0.99
(Y*(8,L)C/T*8V)*A12	FC/MC/PC36A	1.00	1.00	0.98
(Y*(8,L)C/T*8V)*B12	FC/MC/PC36B	1.00	1.00	0.98
(Y*9C/T*9V)*B12	FC/MC/PC36B	1.01	1.00	0.96
(Y*(8,L)C/T*8V)*C16	FC/MC/PC36C	1.01	1.02	0.96
(Y*(8,L)C/T*8V)*C20	FC/MC/PC36C	1.01	1.02	0.97
(Y*9C/T*9V)*C16	FC/MC/PC36C	1.01	1.03	0.95
(Y*9C/T*9V)*C20	FC/MC/PC36C	1.02	1.05	0.98
(Y*(8,L)C/T*8V)*A12	FC/MC/PC37A	0.99	0.96	0.95
(Y*(8,L)C/T*8V)*B12	FC/MC/PC42B	0.99	1.00	0.97
(Y*(8,L)C/T*8V)*C16	FC/MC/PC42C	1.01	1.02	0.94
(Y*(8,L)C/T*8V)*C20	FC/MC/PC42C	1.01	1.01	0.93
(Y*9C/T*9V)*C16	FC/MC/PC42C	1.00	1.01	0.95
(Y*9C/T*9V)*C20	FC/MC/PC42C	1.02	1.05	0.97
(Y*(8,L)C/T*8V)*B12	FC/MC/PC43B	1.03	1.04	0.98
(Y*9C/T*9V)*B12	FC/MC/PC43B	1.03	1.04	0.98
(Y*(8,L)C/T*8V)*C16	FC/MC/PC43C	1.04	1.05	0.95
(Y*(8,L)C/T*8V)*C20	FC/MC/PC43C	1.04	1.05	0.94
(Y*9C/T*9V)*C16	FC/MC/PC43C	1.03	1.05	0.99
(Y*9C/T*9V)*C20	FC/MC/PC43C	1.04	1.05	0.95
(Y*(8,L)C/T*8V)*C16	FC/MC/PC48C	1.04	1.06	0.96
(Y*(8,L)C/T*8V)*C20	FC/MC/PC48C	1.04	1.05	0.95
(Y*9C/T*9V)*C16	FC/MC/PC48C	1.05	1.07	0.95
(Y*9C/T*9V)*C20	FC/MC/PC48C	1.06	1.11	0.98
(Y*(8,L)C/T*8V)*C16	FC/PC60C	1.04	1.05	0.95
(Y*(8,L)C/T*8V)*C20	FC/PC60C	1.04	1.05	0.95
(Y*(8,L)C/T*8V)*C16	HC42	1.04	1.05	0.95
(Y*(8,L)C/T*8V)*C20	HC42	1.04	1.06	0.94
(Y*9C/T*9V)*C16	HC42	1.03	1.05	0.97
(Y*9C/T*9V)*C20	HC42	1.04	1.05	0.95
(Y*(8,L)C/T*8V)*B12	HD48	1.04	1.05	0.97
(Y*(8,L)C/T*8V)*C16	HD48	1.05	1.06	0.94
(Y*(8,L)C/T*8V)*C20	HD48	1.05	1.06	0.93
(Y*9C/T*9V)*B12	HD48	1.04	1.04	0.97
(Y*9C/T*9V)*C16	HD48	1.05	1.05	0.95
(Y*9C/T*9V)*C20	HD48	1.06	1.09	0.98
(Y*9C/T*9V)*B12	UC36B	0.98	0.97	0.96
(Y*(8,L)C/T*8V)*C16	UC36C	0.99	1.00	0.95
(Y*(8,L)C/T*8V)*C20	UC36C	0.99	1.00	0.94
(Y*9C/T*9V)*C16	UC36C	0.99	1.00	0.95
(Y*9C/T*9V)*C20	UC36C	1.00	1.02	0.97
(Y*(8,L)C/T*8V)*B12	UC42B	0.99	0.98	0.95
(Y*(8,L)C/T*8V)*C16	UC42C	1.00	1.00	0.93
(Y*(8,L)C/T*8V)*C20	UC42C	1.00	0.99	0.93
(Y*9C/T*9V)*C16	UC42C	1.00	0.99	0.94
(Y*9C/T*9V)*C20	UC42C	1.01	1.03	0.97
(Y*(8,L)C/T*8V)*C16	UC48C	1.01	1.03	0.94
(Y*(8,L)C/T*8V)*C20	UC48C	1.01	1.03	0.93
(Y*9C/T*9V)*C16	UC48C	1.01	1.02	0.95
(Y*9C/T*9V)*C20	UC48C	1.02	1.06	0.98

COOLING PERFORMANCE DATA																
OUTDOOR UNIT MODEL NO.		CZB04211														
INDOOR COIL MODEL NO.		FC/MC/PC/UC48														
CONDENSER ENTERING AIR TEMPERATURE	ID CFM	1200					1400					1600				
	ID DB (°F)	80	80	75	80	80	80	80	75	80	80	80	80	75	80	80
	ID WB (°F)	57	62	62	67	72	57	62	62	67	72	57	62	62	67	72
65	T.C.	36.0	38.4	36.8	40.5	45.9	38.2	39.0	38.3	41.8	46.9	40.3	39.5	39.7	43.2	47.9
	S.C.	35.9	34.7	29.1	28.6	22.1	38.1	37.8	31.5	30.8	23.4	40.3	40.9	33.9	33.1	24.8
	K.W.	3.3	3.3	3.3	3.3	3.4	3.3	3.3	3.3	3.3	3.4	3.3	3.3	3.3	3.3	3.4
75	T.C.	38.9	40.1	40.9	43.9	49.3	40.7	41.2	42.0	45.3	50.7	42.6	42.3	43.1	46.8	52.0
	S.C.	38.9	34.9	30.1	29.4	23.4	40.8	37.8	32.5	31.7	24.8	42.6	40.8	34.9	34.1	26.3
	K.W.	2.9	2.9	2.9	2.9	2.9	2.9	2.9	2.9	2.9	2.9	2.9	2.9	2.9	2.9	2.9
85	T.C.	37.5	39.3	38.9	42.2	47.6	39.5	40.1	40.1	43.6	48.8	41.4	40.9	41.4	45.0	49.9
	S.C.	37.4	34.8	29.6	29.0	22.8	39.4	37.8	32.0	31.3	24.1	41.4	40.8	34.4	33.6	25.5
	K.W.	3.1	3.1	3.1	3.1	3.1	3.1	3.1	3.1	3.1	3.1	3.1	3.1	3.1	3.1	3.1
95	T.C.	35.5	37.0	36.7	39.9	44.8	37.2	37.9	37.7	41.0	45.8	39.0	38.8	38.8	42.1	46.8
	S.C.	35.4	33.6	28.6	27.9	21.8	37.2	36.3	30.9	30.2	23.2	38.9	38.9	33.2	32.5	24.5
	K.W.	3.6	3.6	3.6	3.6	3.7	3.6	3.6	3.6	3.6	3.7	3.6	3.6	3.6	3.6	3.7
105	T.C.	33.5	34.7	34.5	37.5	42.0	35.0	35.7	35.3	38.4	42.8	36.5	36.7	36.2	39.3	43.6
	S.C.	33.4	32.5	27.5	26.9	20.8	34.9	34.8	29.7	29.1	22.2	36.5	37.1	31.9	31.3	23.6
	K.W.	4.1	4.1	4.1	4.2	4.2	4.1	4.1	4.1	4.2	4.2	4.1	4.1	4.1	4.2	4.2
115	T.C.	31.6	32.5	32.3	35.3	39.2	32.9	33.6	33.0	35.9	39.9	34.2	34.7	33.7	36.6	40.5
	S.C.	31.5	31.3	26.5	25.9	19.9	32.8	33.3	28.6	28.1	21.2	34.0	35.3	30.7	30.3	22.6
	K.W.	4.6	4.6	4.6	4.7	4.7	4.6	4.6	4.6	4.7	4.7	4.7	4.7	4.6	4.7	4.7
125	T.C.	29.7	30.3	30.2	33.0	36.5	30.7	31.8	30.7	33.4	37.0	31.8	32.7	31.2	33.8	37.5
	S.C.	29.6	30.2	25.5	24.8	18.9	30.6	31.8	27.5	27.0	20.3	31.6	33.5	29.5	29.2	21.7
	K.W.	5.2	5.1	5.2	5.2	5.2	5.2	5.2	5.2	5.2	5.2	5.2	5.2	5.2	5.2	5.2

NOTE: ALL CAPACITIES ARE NET (KBTUH) WITH INDOOR FAN HEAT ALREADY DEDUCTED AT 1250 BTUH/1000 CFM.

Multipliers for determining the performance with other indoor sections.

NOTE: For dry bulb temperatures different than those listed (between 73-87 F), sensible capacity increases by 1060 BTUH per 1000 CFM per degree above the listed temperature and decreases by 1060 BTUH per 1000 CFM per degree below the listed temperature.

Air Handlers	Coils	T.C.	S.C.	KW
-	HC60	0.98	0.98	1.00
-	HD60	0.97	0.97	1.00
AHP/SHP48	-	1.01	1.00	1.00
AHP/SHP60	-	1.01	1.00	1.00
AHX42	-	1.00	1.00	0.94
AHX48	-	1.00	1.00	0.98
AHX60	-	0.98	0.98	0.96
AV/SV*48	-	1.00	1.00	0.98
AV/SV*60	-	0.98	0.98	0.96
F*FP048	-	1.00	1.00	1.00
F6FP042	-	0.98	0.99	0.96
F6FP048	-	0.98	0.97	0.96
F6FP060	-	0.98	0.99	0.96
MA16C	FC/MC48C	1.00	1.00	1.00
MA14D	FC/MC48D	1.00	1.00	1.00
MV16C	MC48C	1.01	1.00	1.00
MV20D	MC48D	1.01	1.00	1.00

Continued on next page.

Furnaces	Coils	T.C.	S.C.	KW
T*(8,L)X*B12	FC/MC/PC43B	0.99	0.97	0.97
T*(8,L)X*C16	FC/MC/PC43C	1.00	1.02	1.03
T*(8,L)X*C20	FC/MC/PC43C	1.00	1.00	1.03
T*9X*B12	FC/MC/PC43B	0.99	0.96	0.97
T*9X*C16	FC/MC/PC43C	1.00	1.00	1.03
T*9X*C20	FC/MC/PC43C	1.00	1.00	1.03
T*(8,L)X*C16	FC/MC/PC48C	1.01	1.00	1.04
T*(8,L)X*C20	FC/MC/PC48C	1.01	1.02	1.04
T*9X*C16	FC/MC/PC48C	1.01	1.01	1.04
T*9X*C20	FC/MC/PC48C	1.01	1.02	1.04
T*9X*D20	FC/MC/PC48D	1.01	1.02	1.04
T*(8,L)X*C20	HD48	1.01	1.00	1.04
T*9X*D20	HD48	1.01	1.02	1.04
T*(8,L)X*C16	HD60	0.95	0.98	0.98
T*9X*C16	HD60	1.04	1.05	1.02
T*9X*C20	HD60	1.04	1.06	1.00
T*9X*D20	HD60	0.96	1.02	0.99
T*(8,L)X*C16	UC48C	0.98	0.98	1.00
T*(8,L)X*C20	UC48C	0.98	1.02	1.00
T*9X*C16	UC48C	0.98	0.98	1.00
T*9X*C20	UC48C	0.98	0.98	0.96
T*9X*D20	UC48D	0.98	0.98	1.00
(Y*(8,L)C/T*8V)*B12	FC/MC/PC42B	1.00	1.01	1.05
(Y*(8,L)C/T*8V)*C16	FC/MC/PC42C	1.00	1.03	1.00
(Y*(8,L)C/T*8V)*C20	FC/MC/PC42C	1.01	1.03	0.99
(Y*(8,L)C/T*8V)*B12	FC/MC/PC43B	1.01	1.02	1.02
(Y*(8,L)C/T*8V)*C16	FC/MC/PC43C	1.02	1.07	1.01
(Y*(8,L)C/T*8V)*C20	FC/MC/PC43C	1.04	1.08	1.02
(Y*9C/T*9V)*C16	FC/MC/PC43C	1.02	1.06	1.00
(Y*9C/T*9V)*C20	FC/MC/PC43C	1.02	1.07	0.99

Furnaces	Coils	T.C.	S.C.	KW
(Y*(8,L)C/T*8V)*C16	FC/MC/PC48C	1.04	1.06	1.02
(Y*(8,L)C/T*8V)*C20	FC/MC/PC48C	1.05	1.09	1.01
(Y*9C/T*9V)*C16	FC/MC/PC48C	1.04	1.09	0.99
(Y*9C/T*9V)*C20	FC/MC/PC48C	1.03	1.09	1.00
(Y*(8,L)C/T*8V)*C16	FC/MC/PC48D	1.04	1.06	1.02
(Y*(8,L)C/T*8V)*C20	FC/MC/PC48D	1.05	1.09	1.01
(Y*9C/T*9V)*D20	FC/MC/PC48D	1.04	1.09	0.99
(Y*(8,L)C/T*8V)*C16	FC/MC/PC60D	1.04	1.08	1.02
(Y*(8,L)C/T*8V)*C20	FC/MC/PC60D	1.04	1.05	1.00
(Y*(8,L)C/T*8V)*C16	FC/MC62D	1.05	1.10	1.01
(Y*(8,L)C/T*8V)*C20	FC/MC62D	1.05	1.09	0.99
(Y*(8,L)C/T*8V)*C16	FC/PC60C	1.04	1.08	1.02
(Y*(8,L)C/T*8V)*C20	FC/MC60D	1.04	1.06	1.00
(Y*(8,L)C/T*8V)*C16	FC64D	1.07	1.14	1.01
(Y*(8,L)C/T*8V)*C20	FC64D	1.09	1.14	1.00
(Y*(8,L)C/T*8V)*C16	HC42	1.02	1.07	0.99
(Y*(8,L)C/T*8V)*C20	HC42	1.02	1.07	0.99
(Y*9C/T*9V)*C16	HC42	1.02	1.06	1.00
(Y*9C/T*9V)*C20	HC42	1.02	1.07	0.99
(Y*(8,L)C/T*8V)*B12	HD48	1.01	1.03	1.00
(Y*(8,L)C/T*8V)*C16	HD48	1.03	1.07	0.98
(Y*(8,L)C/T*8V)*C20	HD48	1.04	1.07	0.98
(Y*9C/T*9V)*B12	HD48	0.99	0.97	0.97
(Y*9C/T*9V)*C16	HD48	1.03	1.07	0.99
(Y*9C/T*9V)*C20	HD48	1.03	1.07	1.00
(Y*9C/T*9V)*D20	HD48	1.03	1.07	0.99
(Y*(8,L)C/T*8V)*C16	UC48C	1.00	1.07	0.98
(Y*(8,L)C/T*8V)*C20	UC48C	1.00	1.08	0.97
(Y*9C/T*9V)*C16	UC48C	1.00	1.07	0.99
(Y*9C/T*9V)*D20	UC48D	1.00	1.07	0.99

COOLING PERFORMANCE DATA																
OUTDOOR UNIT MODEL NO.		CZB04811														
INDOOR COIL MODEL NO.		FC/MC/PC/UC60														
CONDENSER ENTERING AIR TEMPERATURE	ID CFM	1400					1600					1800				
	ID DB (°F)	80	80	75	80	80	80	80	75	80	80	80	80	75	80	80
	ID WB (°F)	57	62	62	67	72	57	62	62	67	72	57	62	62	67	72
65	T.C.	43.3	45.9	42.8	48.1	55.4	45.5	46.7	43.4	49.0	54.8	47.7	47.5	44.0	49.9	54.3
	S.C.	39.3	43.5	33.0	34.3	27.3	41.5	44.4	35.4	36.7	28.5	43.7	45.3	37.7	39.1	29.7
	K.W.	3.9	3.9	3.9	3.9	3.9	3.9	3.9	3.9	4.0	3.9	3.9	3.9	4.0	4.0	3.9
75	T.C.	48.0	49.5	47.8	53.7	57.7	50.0	50.7	48.6	54.2	58.2	52.1	51.9	49.3	54.8	58.7
	S.C.	43.5	42.5	35.8	36.2	28.6	45.2	45.3	38.2	38.6	30.2	46.9	48.2	40.5	41.0	31.8
	K.W.	3.3	3.4	3.3	3.4	3.4	3.3	3.4	3.3	3.4	3.4	3.3	3.4	3.3	3.4	3.4
85	T.C.	45.6	47.7	45.3	50.9	56.6	47.8	48.7	46.0	51.6	56.5	49.9	49.7	46.7	52.3	56.5
	S.C.	41.4	43.0	34.4	35.3	27.9	43.3	44.9	36.8	37.7	29.3	45.3	46.8	39.1	40.1	30.7
	K.W.	3.6	3.6	3.6	3.6	3.6	3.6	3.6	3.6	3.7	3.6	3.6	3.6	3.6	3.7	3.6
95	T.C.	43.3	44.9	42.4	47.9	52.4	45.2	45.9	43.1	48.5	52.4	47.0	46.9	43.8	49.1	52.4
	S.C.	39.3	40.5	33.3	34.2	26.7	41.0	42.3	35.4	36.5	28.1	42.7	44.2	37.5	38.8	29.5
	K.W.	4.2	4.2	4.1	4.2	4.2	4.2	4.2	4.2	4.2	4.2	4.2	4.2	4.2	4.3	4.2
105	T.C.	41.0	42.0	39.5	44.8	48.2	42.6	43.1	40.2	45.4	48.2	44.1	44.1	40.8	45.9	48.3
	S.C.	37.1	38.1	32.1	33.0	25.5	38.6	39.8	34.0	35.3	26.9	40.1	41.6	35.9	37.6	28.3
	K.W.	4.7	4.8	4.7	4.8	4.8	4.7	4.7	4.7	4.8	4.8	4.7	4.7	4.7	4.8	4.8
115	T.C.	38.8	39.3	36.7	41.9	44.1	40.0	40.3	37.3	42.3	44.2	41.2	41.4	38.0	42.8	44.3
	S.C.	35.0	35.7	31.0	32.0	24.2	36.3	37.4	32.7	34.2	25.7	37.5	39.1	34.4	36.5	27.2
	K.W.	5.2	5.3	5.2	5.3	5.4	5.2	5.3	5.2	5.3	5.4	5.2	5.3	5.3	5.4	5.4
125	T.C.	36.6	36.5	33.9	38.9	40.0	37.5	37.6	34.5	39.3	40.2	38.4	38.6	35.1	39.7	40.3
	S.C.	33.0	33.3	29.8	30.9	23.0	34.0	34.9	31.3	33.1	24.5	35.0	36.5	32.8	35.3	26.0
	K.W.	5.8	5.8	5.8	5.9	5.9	5.8	5.8	5.8	5.9	5.9	5.8	5.8	5.8	5.9	5.9

NOTE: ALL CAPACITIES ARE NET (KBTUH) WITH INDOOR FAN HEAT ALREADY DEDUCTED AT 1250 BTUH/1000 CFM.

Multipliers for determining the performance with other indoor sections.

NOTE: For dry bulb temperatures different than those listed (between 73-87 F), sensible capacity increases by 1060 BTUH per 1000 CFM per degree above the listed temperature and decreases by 1060 BTUH per 1000 CFM per degree below the listed temperature.

Air Handlers	Coils	T.C.	S.C.	KW
—	HC60	1.00	1.00	1.00
—	HD60	1.00	1.00	1.00
AHP/SHP48	—	1.01	1.00	1.00
AHP/SHP60	—	1.01	1.00	1.00
AHX48	—	1.00	1.00	0.99
AHX60	—	1.00	1.01	0.99
AV/SV*48	—	1.00	1.00	0.98
AV/SV*60	—	1.00	1.00	0.95
F6FP048	—	0.98	0.98	1.01
F6FP060	—	1.00	1.00	0.99
F*FV060	—	1.02	1.01	1.00
MA20D	FC/MC60D	1.00	1.00	1.00
MA16C	FC60C	1.00	1.00	1.00
MV20D	MC60D	1.01	1.00	1.00

Continued on next page.

Furnaces	Coils	T.C.	S.C.	KW
T*(8,L)X*C16	FC/MC/PC48C	0.99	0.97	1.03
T*(8,L)X*C20	FC/MC/PC48C	0.99	0.97	1.03
T*9X*C16	FC/MC/PC48C	1.00	0.98	0.99
T*9X*C20	FC/MC/PC48C	1.00	0.98	0.99
T*9X*D20	FC/MC/PC48D	0.98	0.96	1.01
T*(8,L)X*C16	FC/PC60C	0.99	0.97	1.03
T*(8,L)X*C20	FC/PC60C	0.99	0.97	1.03
T*(8,L)X*C20	FC/MC/PC60D	0.99	0.97	0.98
T*9X*C16	FC/PC60C	0.98	0.97	1.01
T*9X*C20	FC/PC60C	0.98	0.98	0.97
T*9X*D20	FC/MC/PC60D	0.99	0.96	1.03
T*(8,L)X*C16	FC/MC62D	1.01	1.00	1.00
T*(8,L)X*C20	FC/MC62D	1.01	1.01	1.00
T*9X*C16	FC/MC62D	1.01	1.00	1.00
T*9X*C20	FC/MC62D	1.01	1.00	1.00
T*9X*D20	FC/MC62D	0.99	0.98	1.03
T*(8,L)X*C16	HD60	0.99	0.95	1.03
T*(8,L)X*C20	HD60	0.99	0.95	1.03
T*9X*C16	HD60	0.99	0.96	1.03
T*9X*C20	HD60	0.98	0.94	1.01
T*9X*D20	HD60	0.99	0.95	1.03
T*(8,L)X*C16	UC60C	0.98	0.96	1.01
T*(8,L)X*C20	UC60C	0.96	0.92	0.99
T*(8,L)X*C20	UC60D	0.98	0.94	0.97
T*(8,L)X*C16	UC48C	0.98	0.96	1.01

Furnaces	Coils	T.C.	S.C.	KW
T*(8,L)X*C20	UC48C	0.97	0.95	0.96
T*9X*C16	UC48C	0.98	0.96	1.01
T*9X*C20	UC48C	0.98	0.96	0.97
T*9X*D20	UC48D	0.98	0.96	1.01
T*9X*D20	UC60D	0.97	0.93	0.96
(Y*(8,L)C/T*8V)*C16	FC/MC/PC48C	0.99	0.96	1.01
(Y*(8,L)C/T*8V)*C20	FC/MC/PC48C	1.01	0.98	1.01
(Y*(8,L)C/T*8V)*C16	FC/MC/PC48D	0.99	0.96	1.01
(Y*(8,L)C/T*8V)*C20	FC/MC/PC48D	1.01	0.98	1.01
(Y*9C/T*9V)*D20	FC/MC/PC48D	1.00	1.01	0.99
(Y*(8,L)C/T*8V)*C16	FC/MC/PC60D	0.99	0.96	1.01
(Y*(8,L)C/T*8V)*C20	FC/MC/PC60D	1.00	0.97	0.97
(Y*9C/T*9V)*D20	FC/MC/PC60D	1.01	1.01	0.98
(Y*(8,L)C/T*8V)*C16	FC/MC62D	1.01	1.00	0.98
(Y*(8,L)C/T*8V)*C20	FC/MC62D	1.01	1.01	0.98
(Y*9C/T*9V)*D20	FC/MC62D	1.01	1.02	0.99
(Y*(8,L)C/T*8V)*C16	FC/PC60C	1.01	1.01	0.98
(Y*(8,L)C/T*8V)*C20	FC/PC60C	1.01	1.02	0.97
(Y*(8,L)C/T*8V)*C16	FC64D	1.04	1.03	0.99
(Y*(8,L)C/T*8V)*C20	HC42	0.99	0.99	0.97
(Y*(8,L)C/T*8V)*C16	HD60	1.01	1.02	0.98
(Y*(8,L)C/T*8V)*C20	HD60	1.01	1.02	0.97
(Y*9C/T*9V)*C16	HD60	1.01	1.01	0.99
(Y*9C/T*9V)*C20	HD60	1.01	1.01	0.99
(Y*9C/T*9V)*D20	HD60	1.01	1.01	0.99
(Y*(8,L)C/T*8V)*C20	UC60C	0.98	0.98	0.96

COOLING PERFORMANCE DATA																
OUTDOOR UNIT MODEL NO.		CZB06011														
INDOOR COIL MODEL NO.		FC/MC/PC/UC60														
CONDENSER ENTERING AIR TEMPERATURE	ID CFM	1600					1800					2000				
	ID DB (°F)	80	80	75	80	80	80	80	75	80	80	80	80	75	80	80
	ID WB (°F)	57	62	62	67	72	57	62	62	67	72	57	62	62	67	72
65	T.C.	51.8	52.8	50.6	57.9	61.8	52.8	54.2	52.5	58.6	63.1	53.8	55.6	54.3	59.3	64.4
	S.C.	39.4	48.8	44.1	39.1	30.3	42.1	52.3	44.	41.1	31.7	44.7	55.9	48.5	43.2	33.1
	K.W.	4.6	4.6	4.5	4.7	4.8	4.6	4.6	4.6	4.7	4.8	4.6	4.7	4.6	4.8	4.8
75	T.C.	55.1	56.9	53.6	61.5	65.7	56.1	58.3	55.4	62.6	66.5	57.0	59.7	57.3	63.7	67.2
	S.C.	41.1	50.2	44.4	40.8	31.3	43.4	53.1	46.0	43.1	32.6	45.6	56.0	49.3	45.5	33.9
	K.W.	4.0	4.0	3.9	4.0	4.1	4.0	4.0	3.9	4.0	4.1	4.0	4.0	3.9	4.0	4.1
85	T.C.	53.5	54.8	52.1	59.7	63.8	54.5	56.2	54.0	60.6	64.8	55.4	57.7	55.8	61.5	65.8
	S.C.	40.3	49.5	44.0	39.9	30.8	42.7	52.7	45.9	42.1	32.2	45.2	55.9	48.7	44.3	33.5
	K.W.	4.3	4.3	4.2	4.4	4.4	4.3	4.3	4.3	4.4	4.5	4.3	4.3	4.3	4.4	4.5
95	T.C.	49.9	51.3	49.3	56.1	59.7	50.8	52.6	51.0	57.0	60.6	51.6	53.9	52.7	57.9	61.5
	S.C.	38.6	47.0	43.1	38.5	29.3	40.8	49.9	44.1	40.8	30.6	43.1	52.8	48.4	43.1	31.9
	K.W.	5.0	5.0	4.9	5.1	5.2	5.0	5.0	5.0	5.1	5.2	5.0	5.0	5.0	5.1	5.2
105	T.C.	46.4	47.7	46.5	52.4	55.6	47.1	48.9	48.1	53.4	56.4	47.8	50.1	49.6	54.4	57.2
	S.C.	36.9	44.6	40.7	37.2	27.8	39.0	47.1	41.7	39.5	29.1	41.0	49.7	43.6	41.8	30.4
	K.W.	5.7	5.7	5.7	5.8	5.9	5.7	5.7	5.7	5.8	5.9	5.7	5.7	5.7	5.8	5.9
115	T.C.	42.9	44.3	43.8	48.9	51.7	43.5	45.3	45.2	49.9	52.3	44.2	46.4	46.6	50.9	52.9
	S.C.	35.2	42.2	37.9	35.8	26.4	37.1	44.4	39.0	38.2	27.6	39.0	46.6	40.2	40.5	28.8
	K.W.	6.4	6.4	6.3	6.5	6.6	6.4	6.4	6.4	6.5	6.6	6.4	6.4	6.4	6.5	6.6
125	T.C.	39.5	40.8	41.1	45.4	47.7	40.0	41.8	42.3	46.4	48.2	40.5	42.7	43.5	47.5	48.7
	S.C.	33.6	39.9	36.0	34.5	25.0	35.3	41.7	35.4	36.9	26.1	37.0	43.6	36.6	39.3	27.3
	K.W.	7.1	7.1	7.0	7.1	7.3	7.1	7.1	7.1	7.2	7.3	7.1	7.1	7.1	7.2	7.3

NOTE: ALL CAPACITIES ARE NET (KBTUH) WITH INDOOR FAN HEAT ALREADY DEDUCTED AT 1250 BTUH/1000 CFM.

Multipliers for determining the performance with other indoor sections.

NOTE: For dry bulb temperatures different than those listed (between 73-87 F), sensible capacity increases by 1060 BTUH per 1000 CFM per degree above the listed temperature and decreases by 1060 BTUH per 1000 CFM per degree below the listed temperature.

Air Handlers	Coils	T.C.	S.C.	KW
MA20D	FC/MC60D	1.00	1.00	1.00
MA20D	MC61	1.00	1.00	1.00
MV20D	MC60D	1.00	1.00	1.00
MV20D	MC61D	1.03	1.03	1.00
AHP/SHP60	–	1.00	1.00	1.00
AHX60	–	0.99	1.02	1.01
AV/SV*60	–	0.99	1.00	1.01
F6FP060	–	0.99	0.99	1.01
F*FV060	–	1.02	1.02	1.00
–	HC60	1.00	1.00	1.00
–	HD60	1.00	1.00	1.00
–	MC61	1.00	1.00	1.00

Furnaces	Coils	T.C.	S.C.	KW
T*(8,L)X*C16	FC/PC60C	0.97	0.96	0.99
T*(8,L)X*C20	FC/MC/PC60D	0.99	0.96	1.01

Furnaces	Coils	T.C.	S.C.	KW
T*9X*D20	FC/MC/PC60D	0.98	0.97	1.00
T*9X*C20	FC/MC/PC60D	0.99	1.00	1.01
T*(8,L)X*C20	FC/MC62D	0.99	0.99	1.01
T*(8,L)X*C16	UC60C	0.96	0.95	0.98
T*(8,L)X*C20	UC60C	0.96	0.97	0.97
T*(8,L)X*C20	UC60D	0.97	0.98	0.99
T*9X*C20	UC60D	0.96	0.95	0.98
(Y*(8,L)C/T*8V)*C20	FC/MC/PC60D	0.98	0.96	0.98
(Y*9C/T*9V)*D20	FC/MC/PC60D	0.99	0.96	0.97
(Y*9C/T*9V)*C20	FC/PC60C	0.99	0.97	0.98
(Y*(8,L)C/T*8V)*C20	FC/MC62D	1.01	1.00	0.98
(Y*9C/T*9V)*D20	FC/MC62D	0.99	0.96	0.98
(Y*(8,L)C/T*8V)*C20	FC64D	1.05	1.09	1.03
(Y*(8,L)C/T*8V)*C20	HD60	1.00	0.97	0.96
(Y*9C/T*9V)*C20	HD60	1.00	0.99	0.98
(Y*9C/T*9V)*D20	HD60	1.00	0.97	0.97
(Y*(8,L)C/T*8V)*C20	UC60C	0.97	0.93	0.95

NOTES