



Heating and Air Conditioning

TECHNICAL GUIDE

SPLIT-SYSTEM HEAT PUMPS

13 SEER – R-410A

MODELS:

E*ZD018 THRU 060

(1.5 THRU 4 NOMINAL TONS, 1 PHASE)



Due to continuous product improvement, specifications are subject to change without notice.

Visit us on the web at www.york.com for the most up-to-date technical information.

Additional rating information can be found at www.ari.org/aridirectory

DESCRIPTION

The 13 SEER series heat pumps are designed for use with a variety of UPG evaporator sections to suit any application need. A full line of matching Add-On Coils are available for use with upflow, downflow or horizontal furnaces. Matching Air Handlers are also available for upflow, downflow or horizontal installation to provide a complete system. Electric heat may be installed in air handlers. All units are factory charged to assure easy installation.

WARRANTY

5-year limited parts warranty.

5-year limited compressor warranty.

FEATURES

- **Durable Construction** - The outdoor unit is constructed of pre-painted steel that offers tough protection against corrosion and resists fading when exposed to sunlight. Drain holes are incorporated into the base pan to permit free drainage of moisture.
- **Quality Coils** - The coil is constructed of enhanced copper tube and aluminum fins.
- **Coil Protection** - Coils are protected from damage by a polymer mesh applied between the coil face, and a PVC coated steel coil guard.
- **Protected Compressors** - Each compressor is protected against high and low pressure as well as excessive temperature. This is accomplished by the simultaneous operation of a high pressure relief valve and temperature sensors which protect the compressor if undesirable conditions occur, loss of charge device also prevents compressor from running in the event of refrigerant leakage.
- **Environmentally Friendly Refrigerant** - Next generation refrigerant R-410A delivers environmentally friendly performance, with zero ozone depletion.
- **Complete System Control** - These heat pumps utilize the unique microprocessor defrost control system to provide optimal comfort and to monitor the overall system for reliable operation. The defrost control system continuously monitors the space environment to maintain optimum efficiency. It initiates defrost only when necessary to further reduce heating costs and improve reliability. In the event improper operating conditions occur, the control will automatically shut the system down to extend the life of the heat pump. Rapid cycling is prevented by use of an internal anti-recycle timer.
- **Low Operating Sound Level** - The compressor is mounted on rubber isolators to reduce operating sounds. The slow moving condenser fan keeps air turbulence and sound to a low level.
- **Filter-Drier** - A factory installed, solid core liquid line filter-drier filters harmful debris and moisture from the system.
- **Easy Access** - Removable panel affords accessibility to the electrical box.
- **Fully Charged and Factory Wired** - to simply installation and reduce labor costs. Only power supply and control wiring and refrigerant lines must be connected. All models are sweat connect with reusable service valves.
- **Factory tested** - to verify system operation and control functioning before shipment.
- **U.L. and C.U.L. listed** - approved for outdoor application.

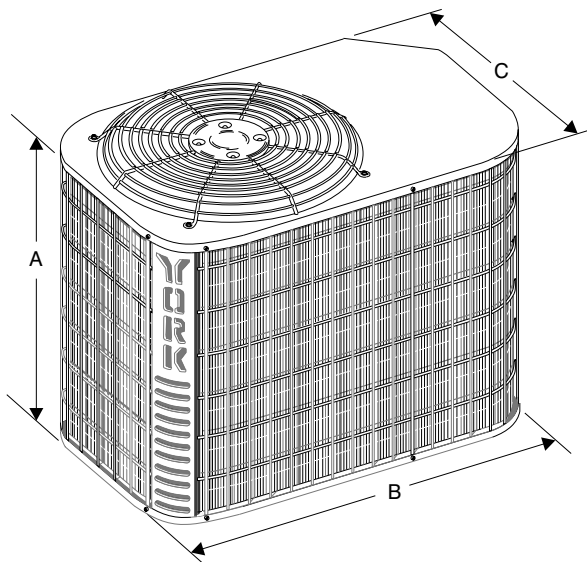
Certified in accordance with the Unitary Small Equipment certification program, which is based on ARI Standard 210/240.

PHYSICAL AND ELECTRICAL DATA

MODEL		E1ZD018S06	E1ZD024S06	E1ZD030S06	E1ZD036S06	E1ZD042S06	E1ZD048S06	E1ZD060S06
Unit Supply Voltage		208-230V, 1 ϕ , 60Hz						
Normal Voltage Range ¹		187 to 252						
Minimum Circuit Ampacity		8.6	11.8	14.8	19.9	28.4	31.0	37.5
Max. Overcurrent Device Amps ²		20	20	25	30	50	50	60
Min. Overcurrent Device Amps ³		15	15	15	20	30	35	40
Compressor Type		Recip	Recip	Recip	Recip	Scroll	Scroll	Scroll
Compressor Amps	Rated Load	6.1	8.2	10.1	14.7	21.5	23.6	28.8
	Locked Rotor	47	48	60	83	105	150	150
Crankcase Heater		Yes	Yes	Yes	Yes	No	No	No
Fan Motor Amps	Rated Load	0.5	0.5	0.8	1.5	1.5	1.5	1.5
Fan Diameter Inches		22	22	22	22	22	24	24
Fan Motor	Rated HP	1/15	1/15	1/8	1/4	1/4	1/4	1/4
	Nominal RPM	850	850	1075	850	850	850	850
	Nominal CFM	2000	2000	2500	3500	3500	3700	3500
Coil	Face Area Sq. Ft.	15.7	18.3	21.0	23.6	23.6	27.0	24.0
	Rows Deep	1	1	1	1	1	1	2
	Fin / Inches	22	22	22	22	22	22	18
Liquid Line Set OD (Field Installed)		3/8	3/8	3/8	3/8	3/8	3/8	3/8
Vapor Line Set OD (Field Installed)		3/4	3/4	3/4	3/4	7/8	7/8	7/8
Unit Charge (Lbs. - Oz.) ⁴		6 - 1	8 - 7	9 - 7	9 - 13	9 - 13	11 - 9	15 - 13
Charge Per Foot, Oz.		0.62	0.62	0.62	0.62	0.67	0.67	0.67
Operating Weight Lbs.		172	184	196	208	208	225	250

1. Rated in accordance with ARI Standard 110, utilization range "A".
2. Dual element fuses or HACR circuit breaker. Maximum allowable overcurrent protection.
3. Dual element fuses or HACR circuit breaker. Minimum recommended overcurrent protection.
4. The Unit Charge is correct for the outdoor unit, matched indoor coil and 15 feet of refrigerant tubing. For tubing lengths other than 15 feet, add or subtract the amount of refrigerant, using the difference in length multiplied by the per foot value. If line exceeds 25 feet, you may refer to publications software 036-68001-001 for proper line sizing.

All dimensions are in inches. They are subject to change without notice. Certified dimensions will be provided upon request.



Unit Model	Dimensions (Inches)			Refrigerant Connection Service Valve Size	
	A ¹	B	C	Liquid	Vapor
018	27	37	27	3/8"	3/4"
024	31	37	27		
030	35	37	27		
036	39	37	27		7/8"
042	39	37	27		
048	38	43	32		
060	34	43	32		

1. Including Fan Guard.

Additional R-410A Charge / TXV Size for Various Matched Systems							
Outdoor Unit	E1ZD018S06	E1ZD024S06	E1ZD030S06	E1ZD036S06	E1ZD042S06	E1ZD048S06	E1ZD060S06
Required TXV	1TVM901	1TVM903	1TVM903	1TVM4C1	1TVM4C1	1TVM4D1	1TVM906
Factory R-410A Charge, lbs-oz	6 - 1	8 - 7	9 - 7	9 - 13	9 - 13	11 - 9	15 - 13
Indoor Coil ^{1,2}	TXV Kit ^{3,4} Additional Charge, Oz						
FC/MC/PC/UC18A	901+0	-	-	-	-	-	-
FC/MC/PC/UC18B	901+0	-	-	-	-	-	-
FC/MC/PC/UC35B	-	903+0	-	-	-	-	-
FC/MC/PC/UC35C	-	903+0	-	-	-	-	-
FC/MC/PC/UC48C	-	-	903+0	4C + 0	4C + 0	-	-
FC/MC/PC/UC48D	-	-	903+0	4C + 0	4C + 0	-	-
FC/MC/PC/UC60C	-	-	-	-	-	4D + 0	-
FC/MC/PC/UC60D	-	-	-	-	-	4D + 0	-
FC/MC62D	-	-	-	-	-	-	906 + 0
HC18A	901+0	-	-	-	-	-	-
HC36B	-	903+0	-	-	-	-	-
HC42C	-	-	903+0	4C + 0	4C + 0	-	-
HC60D	-	-	-	-	-	4D + 0	-
HD36B	-	903+0	-	-	-	-	-
HD48C	-	-	903+0	4C + 0	4C + 0	-	-
HD60D	-	-	-	-	-	4D + 0	-
AHP18B	901+0	-	-	-	-	-	-
AHP30B	-	903+0	-	-	-	-	-
AHP36C	-	-	903+0	4C + 0	-	-	-
AHP42C	-	-	-	4C + 0	4C + 0	-	-
AHP/SHP48D	-	-	-	-	-	4D + 0	-
AHP/SHP60D	-	-	-	-	-	4D + 0	-
AV24B	901+0	-	-	-	-	-	-
AV36C	-	903+0	903+0	4C + 0	-	-	-
AV48D/SV48D	-	-	-	-	4C + 0	4D + 0	-
AV60D/SV60D	-	-	-	-	4C + 0	4D + 0	-

FOOTNOTES:

1. Systems matched with furnace or air handlers not equipped with blower-off delays may require blower Time Delay Kit 2FD06700224.
2. These orifices are factory mounted in the flow device of each indoor coil.
3. A TXV kit must be used with these coils to obtain system performance (4A, 4B, 4C, and 4D indicate 1TVM series).
4. If no TXV is listed, the indoor coil has the correct valve factory-installed.

PROCEDURES:

1. Unit factory charge listed on the unit nameplate includes refrigerant for the condenser, the smallest evaporator and 15 feet of inter-connecting line tubing.
2. Verify the orifice size and the additional charge required for the specific evaporator coil in the system using the above table.
3. Additional charge for the amount of interconnecting line tubing greater than 15 feet at the rate specified in the table above.
4. Permanently mark the unit nameplate with the total system charge. Total System Charge = Base charge (as shipped) + adder for evaporator + adder for line set.
5. If the orifice in the evaporator was changed, verify the evaporator nameplate has been marked with the correct orifice/TXV size.

COOLING CAPACITY - With Air Handler Coils

UNIT MODEL	AIR HANDLER		COIL MODEL ¹	COOLING				
	MODEL	W		RATED CFM	NET MBH		SEER	EER
					TOTAL	SENS.		
13 SEER HP WITH MA								
E1ZD018S06	MA08B	17	FC/MC18B	600	17.0	11.8	13.00	11.00
E1ZD024S06	MA08B	17	FC/MC35B	800	23.0	17.3	13.00	11.00
E1ZD036S06	MA14D	24	FC/MC48D	1200	35.0	25.4	13.00	11.00
E1ZD042S06	MA14D	24	FC/MC48D	1400	40.0	29.2	13.00	10.85
	MA16C	21	FC/MC48C	1400	40.0	29.2	13.00	10.85
E1ZD048S06	MA16C	21	FC60C	1600	47.0	34.6	13.00	11.00
	MA20D	24	FC/MC60D	1600	47.0	34.6	13.00	11.00
E1ZD060S06	MA20D	24	FC/MC62D	1800	54.0	39.5	13.00	11.00
13 SEER HP WITH MV - VARIABLE SPEED								
E1ZD018S06	MV12B	17	FC/MC18B	600	18.0	12.2	14.00	12.00
E1ZD024S06	MV12B	17	FC/MC35B	800	23.0	17.9	14.00	12.00
E1ZD030S06	MV16C	21	FC/MC48C	1000	30.0	22.4	14.00	12.00
	MV12D	24	FC/MC48D	1000	30.0	22.4	14.00	12.00
E1ZD036S06	MV16C	21	FC/MC48C	1200	36.0	26.2	14.00	12.00
	MV20D	24	FC/MC48D	1200	36.0	26.2	14.00	12.00
	MV12D	24	FC/MC48D	1135	35.0	26.2	14.00	12.00
E1ZD042S06	MV16C	21	FC/MC48C	1400	40.0	29.8	14.00	11.00
	MV20D	24	FC/MC48D	1400	40.0	30.0	14.00	11.00
E1ZD048S06	MV20D	24	FC/MC60D	1600	48.0	35.2	13.70	11.00
E1ZD060S06	MV20D	24	FC/MC62D	1800	54.0	39.5	13.00	11.00
13 SEER AC WITH AV / SV - VARIABLE SPEED								
E1ZD018S06	AV24	17	—	650	18.0	12.2	14.00	12.00
E1ZD024S06	AV36	21	—	800	23.0	17.9	14.00	12.00
E1ZD030S06	AV36	21	—	1015	30.0	22.4	14.00	12.00
E1ZD036S06	AV36	21	—	1270	35.0	26.0	14.00	11.00
E1ZD042S06	AV/SV48	24	—	1415	40.0	29.8	14.00	11.00
	AV/SV60	24	—	1410	40.0	30.0	14.00	11.00
E1ZD048S06	AV/SV48	24	—	1610	48.0	35.2	13.80	11.00
	AV/SV60	24	—	1655	48.0	35.2	13.70	11.00
13 SEER HP WITH AHP / SHP								
E1ZD018S06	AHP18	17	—	650	17.0	11.8	13.00	11.00
E1ZD024S06	AHP30	17	—	795	23.0	17.3	13.00	11.00
E1ZD030S06	AHP36	21	—	1040	29.0	21.8	13.00	11.00
E1ZD036S06	AHP36	21	—	1235	35.0	25.4	13.00	11.00
	AHP42	21	—	1255	35.0	25.4	13.00	11.00
E1ZD042S06	AHP42	21	—	1485	39.0	29.0	13.00	10.80
E1ZD048S06	AHP/SHP48	24	—	1675	46.0	34.6	13.00	11.00
	AHP/SHP60	24	—	1600	48.0	35.2	13.00	11.00

Rated in accordance with DOE test procedures (Federal Register 12-27-79 and 3-18-88) and ARI Standards 210/240.

Cooling MBH based on 80°F entering air temperature, 50% RH, and rated air flow.

EER (Energy Efficiency Ratio) is the total cooling output in BTU's at a 95°F outdoor ambient divided by the total electric power in watt-hours at those conditions.

SEER (Seasonal Energy Efficiency Ratio) is the total cooling output in BTU's during a normal annual usage period for cooling divided by the total electric power input in watt-hours during the same period.

1. MC coils available with a factory installed horizontal drain pan. See price pages for specific model number.

— = Not Applicable.

COOLING CAPACITY - Upflow, Downflow, and Horizontal Furnaces and Coils

UNIT MODEL	FURNACE**		COIL MODEL	COOLING				
	CFM RANGE (MIN.-MAX.)	W		RATE CFM	NET MBH		SEER ¹	EER
					TOTAL	SENS.		
E1ZD018S06	450 - 750	14,17	FC/MC/PC18	600	17.0	11.8	13.00	11.00
	450 - 750	14	HC18	600	17.0	11.8	13.00	11.00
	450 - 750	14,17	UC18	600	17.0	11.8	13.00	11.00
E1ZD024S06	600 - 1000	17,21	FC/MC/PC35	800	23.0	17.3	13.00	11.00
	600 - 1000	17	HC36	800	23.0	17.3	13.00	11.00
	600 - 1000	-	HD36	800	23.0	17.3	13.00	11.00
E1ZD030S06	800 - 1200	21,24	FC/MC/PC48	1000	30.0	22.0	13.00	11.00
	800 - 1200	21	HC42	1000	30.0	22.0	13.00	11.00
	800 - 1200	-	HD48	1000	30.0	22.0	13.00	11.00
	800 - 1200	21,24	UC48	1000	30.0	22.0	13.00	11.00
E1ZD036S06	1000 - 1400	21,24	FC/MC/PC48	1200	35.0	25.4	13.00	11.00
	1000 - 1400	21	HC42	1200	35.0	25.4	13.00	11.00
	1000 - 1400	-	HD48	1200	35.0	25.4	13.00	11.00
	1000 - 1400	21,24	UC48	1200	35.0	25.4	13.00	11.00
E1ZD042S06	1200 - 1600	21,24	FC/MC/PC48	1400	40.0	29.2	13.00	10.85
	1200 - 1600	21	HC42	1400	40.0	29.2	13.00	10.85
	1200 - 1600	-	HD48	1400	40.0	29.2	13.00	10.85
	1200 - 1600	21,24	UC48	1400	40.0	29.2	13.00	10.85
E1ZD048S06	1400 - 1800	21,24	FC/MC/PC60	1600	47.0	34.6	13.00	11.00
	1400 - 1800	24	HC60	1600	47.0	34.6	13.00	11.00
	1400 - 1800	-	HD60	1600	47.0	34.6	13.00	11.00
	1400 - 1800	21,24	UC60	1600	47.0	34.6	13.00	11.00
E1ZD060S06	1600 - 2000	24	FC/MC62	1800	54.0	39.5	13.00	11.00

1. Requires a 2FD06700224 Blower Time Delay unless a standard furnace is equipped with one.

** Refer to Quick Selection Chart for specific furnace match-up.

COOLING CAPACITY - With Variable Speed Furnaces

UNIT MODEL	VARIABLE SPEED FURNACE MODEL	COIL MODEL ¹	W	COOLING				
				RATED CFM	NET MBH		SEER	EER
					TOTAL	SENS.		
1 PH 13 SEER HP WITH VARIABLE SPEED FURNACES²								
E1ZD018S06	P(C,V)8*A12	FC/MC/PC18A	14	600	18.0	12.2	14.00	12.00
	PV9*A12	FC/MC/PC18A	14	600	18.0	12.2	14.00	12.00
	P(C,V)9*B12	FC/MC/PC18B	17	600	18.0	12.2	14.00	12.00
	P(C,V)8*A12	HC18	14	600	18.0	12.2	14.00	12.00
	PV9*A12	HC18	14	600	18.0	12.2	14.00	12.00
E1ZD024S06	P(C,V)9*B12	FC/MC/PC35B	17	800	23.0	17.8	14.00	12.00
	P(C,V)9*B12	HC36	17	800	23.0	17.8	14.00	12.00
	P(C,V)9*B12	HC36	17	800	23.0	17.8	14.00	12.00
E1ZD030S06	P(C,V)8*C16	FC/MC/PC48C	21	1000	30.0	22.4	14.00	12.00
	P(C,V)8*C20	FC/MC/PC48C	21	1000	30.0	22.6	14.00	12.00
	P(C,V)9*C16	FC/MC/PC48C	21	1000	30.0	22.4	14.00	12.00
	P(C,V)8*C16	HC42	21	1000	30.0	22.4	14.00	12.00
	P(C,V)8*C20	HC42	21	1000	30.0	22.6	14.00	12.00
	P(C,V)9*C16	HC42	21	1000	30.0	22.4	14.00	12.00
E1ZD036S06	P(C,V)8*C16	FC/MC/PC48C	21	1200	36.0	26.2	14.00	12.00
	P(C,V)8*C20	FC/MC/PC48C	21	1200	36.0	26.2	14.00	12.00
	P(C,V)9*C16	FC/MC/PC48C	21	1200	35.0	26.0	14.00	12.00
	P(C,V)9*C20	FC/MC/PC48C	21	1200	35.0	26.0	14.00	12.00
	P(C,V)9*D20	FC/MC/PC48D	24	1200	35.0	26.0	14.00	12.00
	P(C,V)8*C16	HC42	21	1200	36.0	26.0	14.00	12.00
	P(C,V)8*C20	HC42	21	1200	36.0	26.2	14.00	12.00
	P(C,V)9*C16	HC42	21	1200	35.0	26.0	14.00	11.00
P(C,V)9*C20	HC42	21	1200	35.0	26.0	14.00	11.00	
E1ZD042S06	P(C,V)8*C16	FC/MC/PC48C	21	1400	40.0	29.4	13.70	11.00
	P(C,V)8*C20	FC/MC/PC48C	21	1400	40.0	29.6	13.80	11.00
	P(C,V)9*C16	FC/MC/PC48C	21	1400	40.0	29.4	13.60	11.00
	P(C,V)9*C20	FC/MC/PC48C	21	1400	40.0	29.4	13.70	11.00
	P(C,V)9*D20	FC/MC/PC48D	24	1400	40.0	29.4	13.65	11.00
	P(C,V)8*C16	HC42	21	1400	40.0	29.4	13.65	11.00
	P(C,V)8*C20	HC42	21	1400	40.0	29.6	13.80	11.00
	P(C,V)9*C16	HC42	21	1400	40.0	29.4	13.55	11.00
	P(C,V)9*C20	HC42	21	1400	40.0	29.6	13.75	11.00
E1ZD048S06	P(C,V)8*C16	FC/PC60C	21	1500	47.0	35.0	13.30	11.00
	P(C,V)8*C20	FC/PC60C	21	1600	47.0	35.0	13.40	11.00
	P(C,V)9*C16	FC/PC60C	21	1600	47.0	34.8	13.15	11.00
	P(C,V)9*C20	FC/PC60C	21	1600	47.0	35.0	13.25	11.00
	P(C,V)9*D20	FC/MC/PC60D	24	1600	47.0	35.0	13.40	11.00
E1ZD060S06	P(C,V)8*C20	FC62D/MC62D	21	1730	54.0	39.5	13.00	11.00
	P(C,V)9*C20	FC62D/MC62D	21	1620	54.0	39.5	13.00	11.00
	P(C,V)9*D20	FC62D/MC62D	24	1620	53.0	39.0	13.00	11.00

1. MC coils available with a factory installed horizontal drain pan. See price pages for specific model number.

2. All UPG furnaces have B.O.D (Blower on Delay) standard.

HEATING PERFORMANCE - With Air Handler

UNIT MODEL*	AIR HANDLER	COIL ¹ MODEL	ARI HEATING ²						
			47°F			17°F			HSPF
			MBH	COP	KW	MBH	COP	KW	STD
13 SEER HP WITH MA									
E1ZD018S06	MA08B	FC/MC18B	18.00	3.50	1.50	10.00	2.36	1.27	8.00
E1ZD024S06	MA08B	FC/MC35B	24.00	3.92	1.79	14.00	2.68	1.56	8.90
E1ZD036S06	MA14D	FC/MC48D	36.00	3.70	2.85	23.00	2.64	2.57	8.60
E1ZD042S06	MA14D	FC/MC48D	42.00	3.56	3.45	31.00	2.50	3.58	8.50
	MA16C	FC/MC48C	42.00	3.56	3.45	31.00	2.50	3.58	8.50
E1ZD048S06	MA16C	FC60C	48.00	3.72	3.78	36.00	2.76	3.82	9.00
	MA20D	FC/MC60D	48.00	3.72	3.78	36.00	2.76	3.82	9.00
E1ZD060S06	MA20D	FC/MC62D	54.00	3.56	4.40	31.00	2.70	3.38	8.60
13 SEER HP WITH MV - VARIABLE SPEED									
E1ZD018S06	MV12B	FC/MC18B	18.0	3.70	1.40	10.0	2.48	1.16	8.35
E1ZD024S06	MV12B	FC/MC35B	24.0	4.20	1.67	14.0	2.88	1.40	9.40
E1ZD030S06	MV16C	FC/MC48C	30.0	3.92	2.24	17.0	2.68	1.85	8.55
	MV12D	FC/MC48D	30.0	3.90	2.25	17.0	2.68	1.86	8.50
E1ZD036S06	MV16C	FC/MC48C	36.0	3.90	2.70	23.0	2.80	2.36	9.25
	MV20D	FC/MC48D	36.0	3.90	2.70	23.0	2.80	2.36	9.25
	MV12D	FC/MC48D	36.0	3.88	2.71	23.0	2.78	2.38	9.20
E1ZD042S06	MV16C	FC/MC48C	42.0	3.68	3.34	30.0	2.58	3.40	8.85
	MV20D	FC/MC48D	42.0	3.70	3.32	30.0	2.60	3.38	8.90
E1ZD048S06	MV20D	FC/MC60D	48.0	3.84	3.66	35.0	2.82	3.67	9.55
E1ZD060S06	MA20D	FC/MC62D	53.00	3.62	4.28	31.00	2.76	3.29	8.80
13 SEER HP WITH AV / SV - VARIABLE SPEED									
E1ZD018S06	AV24	—	18.0	3.70	1.40	10.0	2.48	1.16	8.35
E1ZD024S06	AV36	—	24.0	4.20	1.67	14.0	2.88	1.40	9.40
E1ZD030S06	AV36	—	30.0	3.94	2.23	17.0	2.70	1.84	8.55
E1ZD036S06	AV36	—	36.0	3.84	2.74	23.0	2.74	2.43	9.10
E1ZD042S06	AV/SV48	—	42.0	3.70	3.32	30.0	2.58	3.40	8.85
	AV/SV60	—	42.0	3.70	3.32	30.0	2.60	3.38	8.90
E1ZD048S06	AV/SV48	—	48.0	3.84	3.66	35.0	2.82	3.67	9.55
	AV/SV60	—	48.0	3.82	3.68	35.0	2.82	3.67	9.50
13 SEER HP WITH AHP / SHP									
E1ZD018S06	AHP18	—	18.0	3.50	1.50	10.0	2.36	1.27	8.00
E1ZD024S06	AHP30	—	24.0	3.92	1.79	14.0	2.68	1.56	8.90
E1ZD030S06	AHP36	—	30.0	3.68	2.38	18.0	2.52	2.05	8.10
E1ZD036S06	AHP36	—	36.0	3.68	2.86	23.0	2.64	2.59	8.60
	AHP42	—	36.0	3.70	2.85	23.0	2.64	2.57	8.65
E1ZD042S06	AHP42	—	42.0	3.54	3.47	31.0	2.50	3.60	8.50
E1ZD048S06	AHP/SHP48	—	48.0	3.72	3.78	36.0	2.74	3.84	9.00
	AHP/SHP60	—	48.0	3.82	3.68	35.0	2.80	3.70	9.50

1. Rated CFM same as for cooling.

2. Heating MBH based on ARI standards of 70° DB entering indoor air, 72% RH outdoor air with 25 feet of interconnecting piping and no supplemental electric heat operation.

CP equals MBH output divided by (total KW input x 3.412).

HSPF (Heating Seasonal Performance Factor) is the total heating output during a normal annual usage period for heating divided by the total electric power input during the same period.

— = Not Applicable.

HEATING PERFORMANCE - Upflow, Downflow, and Horizontal Furnaces and Coils

UNIT MODEL*	COIL ¹ MODEL	ARI HEATING ²						
		47°F			17°F			HSPF STD
		MBH	COP	KW	MBH	COP	KW	
E1ZD018S06	FC/MC/PC18	18.0	3.50	1.50	10.0	2.36	1.27	8.00
	HC18	18.0	3.50	1.50	10.0	2.36	1.27	8.00
	UC18	18.0	3.50	1.50	10.0	2.36	1.27	8.00
E1ZD024S06	FC/MC/PC35	24.0	3.92	1.79	14.0	2.68	1.56	8.90
	HC36	24.0	3.92	1.79	14.0	2.68	1.56	8.90
	HD36	24.0	3.92	1.79	14.0	2.68	1.56	8.90
E1ZD030S06	FC/MC/PC48	30.0	3.70	2.37	18.0	2.52	2.05	8.00
	HC42	30.0	3.70	2.37	18.0	2.52	2.05	8.00
	HD48	30.0	3.70	2.37	18.0	2.52	2.05	8.00
	UC48	30.0	3.70	2.37	18.0	2.52	2.05	8.00
E1ZD036S06	FC/MC/PC48	36.0	3.70	2.85	23.0	2.64	2.57	8.60
	HC42	36.0	3.70	2.85	23.0	2.64	2.57	8.60
	HD48	36.0	3.70	2.85	23.0	2.64	2.57	8.60
	UC48	36.0	3.70	2.85	23.0	2.64	2.57	8.60
E1ZD042S06	FC/MC/PC48	42.0	3.56	3.45	31.0	2.50	3.58	8.50
	HC42	42.0	3.56	3.45	31.0	2.50	3.58	8.50
	HD48	42.0	3.56	3.45	31.0	2.50	3.58	8.50
	UC48	42.0	3.56	3.45	31.0	2.50	3.58	8.50
E1ZD048S06	FC/MC/PC60	48.0	3.72	3.78	36.0	2.76	3.82	9.00
	HC60	48.0	3.72	3.78	36.0	2.76	3.82	9.00
	HD60	48.0	3.72	3.78	36.0	2.76	3.82	9.00
	UC60	48.0	3.72	3.78	36.0	2.76	3.82	9.00
E1ZD060S06	FC/MC62	54.0	3.56	4.40	31.0	2.70	3.38	8.60

1. Rated CFM same as for cooling.

2. Heating MBH based on ARI standards of 70° DB entering indoor air, 72% RH outdoor air with 25 feet of interconnecting piping and no supplemental electric heat operation.

CP equals MBH output divided by (total KW input x 3.412).

HSPF (Heating Seasonal Performance Factor) is the total heating output during a normal annual usage period for heating divided by the total electric power input during the same period.

— = Not Applicable.

HEATING CAPACITY - With Variable Speed Furnaces

UNIT MODEL	VARIABLE SPEED FURNACE	COIL ¹ MODEL	ARI HEATING ²						
			47°F			17°F			HSPF
			MBH	COP	KW	MBH	COP	KW	STD
E1ZD018S06	P(C,V)8*A12	FC/MC/PC18A	18.0	3.72	1.39	10.0	2.50	1.14	8.35
	PV9*A12	FC/MC/PC18A	18.0	3.68	1.41	10.0	2.48	1.16	8.35
	P(C,V)9*B12	FC/MC/PC18B	18.0	3.72	1.39	10.0	2.50	1.14	8.35
	P(C,V)8*A12	HC18	18.0	3.72	1.39	10.0	2.50	1.14	8.35
	PV9*A12	HC18	18.0	3.68	1.41	10.0	2.48	1.16	8.35
E1ZD024S06	P(C,V)9*B12	FC/MC/PC35B	24.0	4.14	1.69	14.0	2.84	1.43	9.30
	P(C,V)9*B12	FC/MC/PC35B	24.0	4.14	1.69	14.0	2.82	1.44	9.25
	P(C,V)9*B12	HC36	24.0	4.14	1.69	14.0	2.84	1.43	9.30
	P(C,V)9*B12	HC36	24.0	4.14	1.69	14.0	2.82	1.44	9.25
E1ZD030S06	P(C,V)8*C16	FC/MC/PC48C	30.0	3.92	2.24	17.0	2.70	1.84	8.55
	P(C,V)8*C20	FC/MC/PC48C	30.0	3.94	2.23	17.0	2.70	1.84	8.55
	P(C,V)9*C16	FC/MC/PC48C	30.0	3.88	2.26	17.0	2.66	1.88	8.50
	P(C,V)8*C16	HC42	30.0	3.92	2.24	17.0	2.70	1.84	8.55
	P(C,V)8*C20	HC42	30.0	3.94	2.23	17.0	2.70	1.84	8.55
	P(C,V)9*C16	HC42	30.0	3.88	2.26	17.0	2.66	1.88	8.45
E1ZD036S06	P(C,V)8*C16	FC/MC/PC48C	36.0	3.86	2.73	23.0	2.78	2.38	9.15
	P(C,V)8*C20	FC/MC/PC48C	36.0	3.88	2.71	23.0	2.78	2.38	9.20
	P(C,V)9*C16	FC/MC/PC48C	36.0	3.84	2.74	23.0	2.76	2.42	9.15
	P(C,V)9*C20	FC/MC/PC48C	36.0	3.84	2.74	23.0	2.76	2.42	9.15
	P(C,V)9*D20	FC/MC/PC48D	36.0	3.84	2.74	23.0	2.76	2.42	9.15
	P(C,V)8*C16	HC42	36.0	3.86	2.73	23.0	2.76	2.39	9.15
	P(C,V)8*C20	HC42	36.0	3.88	2.71	23.0	2.78	2.38	9.20
	P(C,V)9*C16	HC42	36.0	3.82	2.76	23.0	2.74	2.43	9.10
E1ZD042S06	P(C,V)9*C20	HC42	36.0	3.84	2.74	23.0	2.74	2.43	9.10
	P(C,V)8*C16	FC/MC/PC48C	42.0	3.64	3.38	30.0	2.54	3.50	8.70
	P(C,V)8*C20	FC/MC/PC48C	42.0	3.64	3.38	30.0	2.56	3.45	8.75
	P(C,V)9*C16	FC/MC/PC48C	42.0	3.62	3.39	30.0	2.54	3.50	8.70
	P(C,V)9*C20	FC/MC/PC48C	42.0	3.64	3.38	30.0	2.54	3.50	8.70
	P(C,V)9*D20	FC/MC/PC48D	42.0	3.62	3.39	30.0	2.54	3.50	8.70
	P(C,V)8*C16	HC42	42.0	3.62	3.39	30.0	2.54	3.50	8.70
	P(C,V)8*C20	HC42	42.0	3.64	3.38	30.0	2.56	3.45	8.75
	P(C,V)9*C16	HC42	42.0	3.62	3.39	30.0	2.54	3.50	8.70
E1ZD048S06	P(C,V)9*C20	HC42	42.0	3.64	3.38	30.0	2.56	3.45	8.70
	P(C,V)8*C16	FC/PC60C	48.0	3.76	3.74	36.0	2.76	3.77	9.40
	P(C,V)8*C20	FC/PC60C	48.0	3.78	3.72	36.0	2.78	3.75	9.45
	P(C,V)9*C16	FC/PC60C	48.0	3.74	3.76	36.0	2.76	3.82	9.40
	P(C,V)9*C20	FC/PC60C	48.0	3.76	3.74	36.0	2.76	3.80	9.40
E1ZD060S06	P(C,V)9*D20	FC/MC/PC60D	48.0	3.78	3.72	36.0	2.78	3.75	9.45
	P(C,V)8*C20	FC62D/MC62D	53.0	3.58	4.33	31.0	2.72	3.33	8.60
	P(C,V)9*C20	FC62D/MC62D	52.0	3.56	4.32	31.0	2.72	3.31	8.60
	P(C,V)9*D20	FC62D/MC62D	52.0	3.60	4.27	30.0	2.74	3.25	8.60

1. Rated CFM same as for cooling.

2. Heating MBH based on ARI standards of 70° DB entering indoor air, 72% RH outdoor air with 25 feet of interconnecting piping and no supplemental electric heat operation.

CP equals MBH output divided by (total KW input x 3.412).

HSPF (Heating Seasonal Performance Factor) is the total heating output during a normal annual usage period for heating divided by the total electric power input during the same period.

— = Not Applicable.

CONDENSER ONLY DATA

MODEL	SUCT. T/P @ COMPR.		AIR TEMP ON CONDENSER					
			75 F		95 F		115 F	
	TEMP.	PSIG	MBH	KW	MBH	KW	MBH	KW
E1ZD018S06 SH15 / SC 5 @95 OD Temp	35	107.4	17.31	1.15	14.14	1.26	9.88	1.37
	40	118.5	19.21	1.15	15.71	1.29	11.27	1.41
	45	130.2	21.2	1.15	17.36	1.32	12.73	1.45
	50	142.7	23.33	1.15	19.13	1.35	14.3	1.5
E1ZD024S06 SH9 / SC 12 @95 OD Temp	35	107.4	17.64	1.42	11.26	1.61	1.91	1.83
	40	118.5	21.11	1.44	15.21	1.65	6.36	1.88
	45	130.2	24.77	1.46	19.38	1.69	11.05	1.92
	50	142.7	28.69	1.48	23.83	1.74	16.05	1.98
E1ZD030S06 SH14 / SC 8 @95 OD Temp	35	107.4	28.49	1.97	21.63	2.26	16.22	2.5
	40	118.5	30.73	1.98	24.62	2.29	18.94	2.56
	45	130.2	33.1	1.98	27.77	2.32	21.81	2.62
	50	142.7	35.63	1.98	31.14	2.35	24.87	2.69
E1ZD036S06 SH9 / SC 7 @95 OD Temp	35	107.4	37.2	2.36	31.53	2.68	26.14	2.98
	40	118.5	39.48	2.38	33.75	2.73	27.73	3.06
	45	130.2	41.88	2.39	36.09	2.78	29.4	3.13
	50	142.7	44.44	2.4	38.59	2.84	31.19	3.22
E1ZD042S06 SH13 / SC 9 @95 OD Temp	35	107.4	43.6	2.56	36.76	3.21	31.97	4.17
	40	118.5	44.57	2.58	38.8	3.23	33.36	4.18
	45	130.2	45.6	2.59	40.96	3.26	34.83	4.2
	50	142.7	46.69	2.61	43.26	3.28	36.4	4.21
E1ZD048S06 SH7 / SC 9 @95 OD Temp	35	107.4	45.8	2.86	42.07	3.56	42.68	3.72
	40	118.5	48.41	2.85	44.34	3.57	42.16	3.98
	45	130.2	51.17	2.85	46.72	3.59	41.6	4.27
	50	142.7	54.11	2.85	49.27	3.61	41.02	4.57
E1ZD060S06 SH7 / SC 9 @95 OD Temp	35	107.4	49.92	3.18	43.73	4.05	38.65	4.87
	40	118.5	53.68	3.22	47.66	4.08	41.33	4.97
	45	130.2	57.64	3.27	51.81	4.11	44.15	5.08
	50	142.7	61.88	3.32	56.24	4.15	47.16	5.20

1. For condensing unit only, does not include effect of evaporator motor power or heat.

2. Sub-cooling in excess of 20° may result in excessively high condensing temperature with air on condenser above 115° maximum recommended condensing temperature is 140° F.

ACCESSORIES

Refer to Price Manual for specific model numbers.

Start Assist Kit (2SA067*)

Blower Time Delay - Available to increase efficiency when installed. Installs on indoor section and maintains blower for approximately one minute after cooling thermostat has been satisfied.

Hard Start Kits - Provides required starting torque for use with Thermal Expansion Valve Kit.

Low Temperature Cutout (2LT06700224) - Prevents heat pump operation below -10°F ambient temperature.

Compressor Blanket - Designed to further reduce the normal operating sound.

Add-on Fossil Fuel Control - Interface controls for use with gas, oil furnaces and the heat pump system are available.

Thermal Expansion Valve Kit - 1TVM Series TXV kit used to improve system performance.

Outdoor Thermostat (2TD06700124) - Provides additional staging of supplemental electric heat.

Room Thermostats - A wide selection of matching thermostats is available to provide features required for any installation.

2H/1C, manual changeover electronic non-programmable thermostat.

3H/2C, non-programmable digital thermostat.

3H/2C, auto/manual changeover, electronic programmable, 7-day, hardwire thermostat.

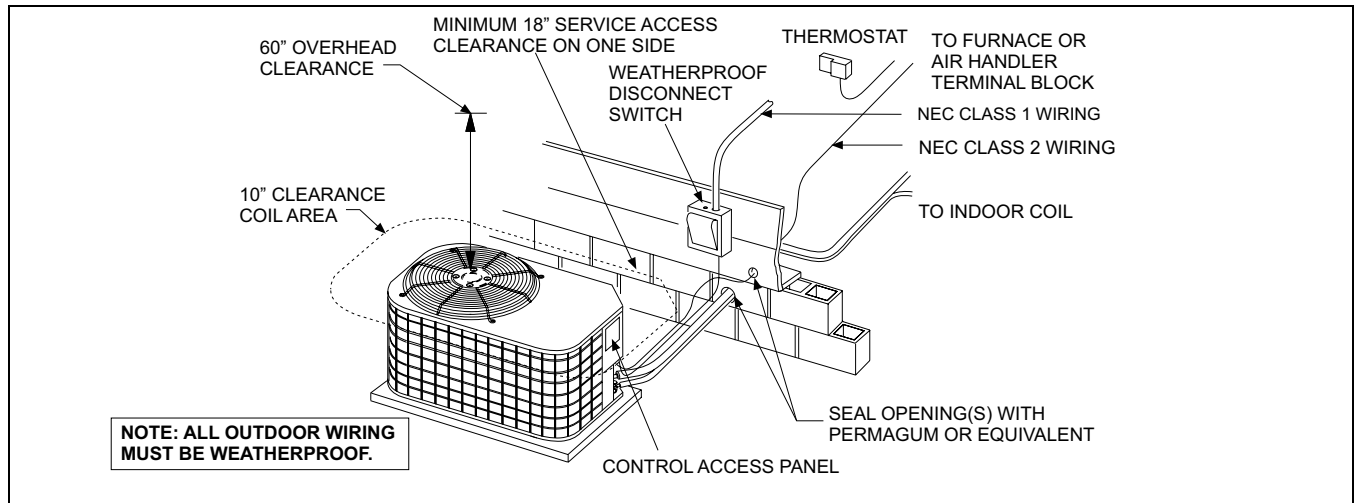
* For the most current accessory information, refer to the price book or consult factory.

SOUND POWER RATINGS

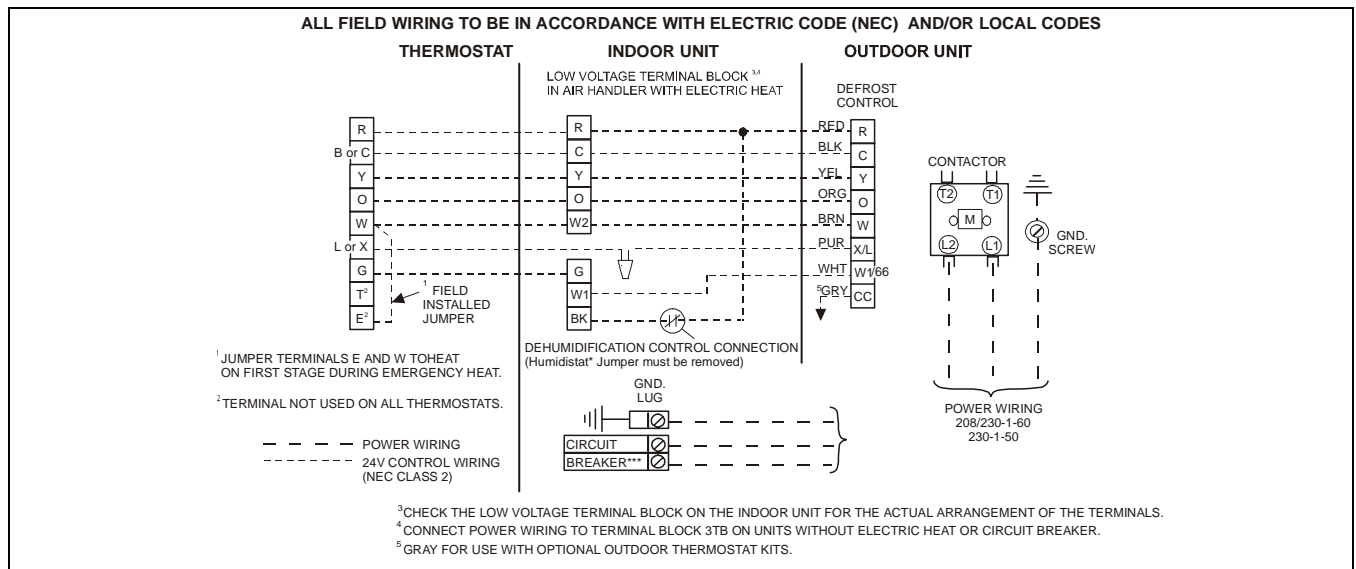
UNIT MODEL	(dBA)*	
	Cooling	Heating
018	TBD	TBD
024	TBD	TBD
030	TBD	TBD
036	76	77
042	TBD	TBD
048	76	76
060	76	76

* Rated in accordance with ARI 270-95 Standards.

INSTALLATION CLEARANCES



TYPICAL FIELD WIRING



COOLING PERFORMANCE DATA																
OUTDOOR UNIT MODEL NO.		E1ZD018S06														
INDOOR COIL MODEL NO.		AHP18														
CONDENSER ENTERING AIR TEMPERATURE	ID CFM	400					600					800				
	ID DB (°F)	80	80	75	80	80	80	80	75	80	80	80	80	75	80	80
	ID WB (°F)	57	62	62	67	72	57	62	62	67	72	57	62	62	67	72
65	T.C.	16.9	16.1	19.4	21.4	21.9	18.9	19.0	20.7	22.5	23.0	21.0	21.9	22.0	23.6	24.1
	S.C.	16.5	17.1	12.6	12.6	9.3	18.8	18.7	14.8	14.3	10.5	21.1	20.4	17.0	15.9	11.7
	K.W.	1.1	1.0	1.1	1.1	1.1	1.1	1.1	1.1	1.1	1.0	1.1	1.1	1.1	1.1	1.0
75	T.C.	15.9	15.9	18.0	19.9	20.8	17.8	18.2	19.2	20.9	21.8	19.6	20.5	20.3	21.9	22.9
	S.C.	15.6	15.6	11.9	12.0	9.1	17.7	17.4	14.0	13.7	10.4	19.8	19.2	16.1	15.3	11.6
	K.W.	1.1	1.1	1.1	1.2	1.2	1.1	1.1	1.2	1.2	1.2	1.2	1.2	1.2	1.2	1.2
85	T.C.	14.9	15.7	16.6	18.4	19.7	16.6	17.4	17.6	19.3	20.7	18.2	19.1	18.7	20.2	21.7
	S.C.	14.6	14.0	11.2	11.3	8.8	16.5	16.0	13.2	13.0	10.2	18.5	18.0	15.2	14.8	11.5
	K.W.	1.2	1.2	1.2	1.2	1.3	1.2	1.2	1.2	1.3	1.3	1.3	1.3	1.3	1.3	1.3
95	T.C.	14.0	15.5	15.2	16.9	18.7	15.4	16.6	16.1	17.7	19.6	16.9	17.6	17.0	18.5	20.5
	S.C.	13.7	12.5	10.5	10.7	8.6	15.4	14.6	12.5	12.4	10.0	17.1	16.8	14.4	14.2	11.4
	K.W.	1.3	1.3	1.3	1.3	1.4	1.3	1.3	1.3	1.3	1.4	1.3	1.4	1.3	1.4	1.4
105	T.C.	13.0	14.3	13.8	15.4	17.0	14.4	15.2	14.7	16.1	17.7	15.7	16.2	15.5	16.7	18.3
	S.C.	12.7	11.6	9.9	10.1	7.9	14.2	13.5	11.8	11.7	9.2	15.7	15.4	13.7	13.4	10.4
	K.W.	1.4	1.4	1.4	1.4	1.4	1.4	1.4	1.4	1.4	1.5	1.4	1.4	1.4	1.5	1.5
115	T.C.	12.1	13.1	12.5	14.0	15.4	13.3	13.9	13.2	14.4	15.8	14.5	14.8	14.0	14.9	16.3
	S.C.	11.7	10.8	9.4	9.5	7.3	13.1	12.4	11.2	11.1	8.3	14.4	14.1	13.0	12.7	9.4
	K.W.	1.4	1.4	1.5	1.5	1.5	1.5	1.5	1.5	1.5	1.6	1.5	1.5	1.5	1.5	1.6
125	T.C.	11.2	11.8	11.2	12.6	13.7	12.3	12.6	11.8	12.8	14.0	13.3	13.4	12.5	13.0	14.2
	S.C.	10.8	10.0	8.8	8.9	6.6	11.9	11.4	10.5	10.4	7.5	13.0	12.7	12.3	11.9	8.4
	K.W.	1.5	1.5	1.5	1.6	1.6	1.6	1.5	1.6	1.6	1.7	1.6	1.6	1.6	1.6	1.7

NOTE: ALL CAPACITIES ARE NET (KBTUH) WITH INDOOR FAN HEAT ALREADY DEDUCTED AT 1250 BTUH/1000 CFM.

Multipliers for determining the performance with other indoor sections.

NOTE: For dry bulb temperatures different than those listed (between 73-87 F), sensible capacity increases by 1060 BTUH per 1000 CFM per degree above the listed temperature and decreases by 1060 BTUH per 1000 CFM per degree below the listed temperature.

Air Handler	Coil	T.C.	S.C.	KW
-	HC18	1.00	1.00	1.00
-	UC18	1.00	1.00	1.00
AHP183	-	1.00	1.00	1.00
AV243	-	1.02	1.03	0.93
MV12B3	FC/MC18B	1.02	1.03	0.93
MA08B3	FC/MC18B	1.00	1.00	1.00

Variable Speed Furnace	Coil	T.C.	S.C.	KW
P(C,V)8*A12	FC/MC/PC18A	1.02	1.03	0.93
PV9*A12	FC/MC/PC18A	1.02	1.03	0.93
P(C,V)9*B12	FC/MC/PC18B	1.02	1.03	0.93
P(C,V)8*A12	HC18	1.02	1.03	0.93
PV9*A12	HC18	1.02	1.03	0.93

COOLING PERFORMANCE DATA																
OUTDOOR UNIT MODEL NO.		E1ZD024S06														
INDOOR COIL MODEL NO.		AHP30														
CONDENSER ENTERING AIR TEMPERATURE	ID CFM	600					800					1000				
	ID DB (°F)	80	80	75	80	80	80	80	75	80	80	80	80	75	80	80
	ID WB (°F)	57	62	62	67	72	57	62	62	67	72	57	62	62	67	72
65	T.C.	21.8	23.0	24.9	26.8	30.2	25.4	24.9	27.0	28.8	32.1	29.1	26.9	29.0	30.8	34.1
	S.C.	20.7	22.4	17.1	17.2	14.2	24.4	24.3	19.8	19.7	16.0	28.2	26.3	22.5	22.3	17.7
	K.W.	1.3	1.3	1.3	1.3	1.4	1.3	1.3	1.3	1.3	1.4	1.4	1.3	1.3	1.3	1.4
75	T.C.	21.9	21.7	23.2	25.2	28.2	23.8	23.5	25.1	27.1	30.0	25.6	25.4	26.9	28.9	31.8
	S.C.	21.1	21.0	16.5	16.4	13.5	23.0	23.0	19.0	18.9	15.2	24.9	24.9	21.6	21.5	16.9
	K.W.	1.4	1.4	1.5	1.5	1.5	1.5	1.5	1.5	1.5	1.5	1.5	1.5	1.5	1.5	1.5
85	T.C.	22.1	20.3	21.6	23.6	26.2	22.1	22.2	23.2	25.3	27.8	22.2	24.0	24.8	27.1	29.5
	S.C.	21.5	19.7	15.9	15.6	12.7	21.5	21.6	18.3	18.2	14.4	21.6	23.4	20.6	20.7	16.2
	K.W.	1.6	1.6	1.6	1.6	1.6	1.6	1.6	1.6	1.6	1.6	1.6	1.6	1.6	1.6	1.7
95	T.C.	22.2	18.9	19.9	22.0	24.2	20.5	20.8	21.3	23.6	25.7	18.7	22.6	22.7	25.2	27.2
	S.C.	21.9	18.4	15.3	14.9	11.9	20.1	20.2	17.5	17.4	13.6	18.3	22.0	19.7	19.9	15.4
	K.W.	1.8	1.7	1.7	1.7	1.8	1.7	1.7	1.7	1.8	1.8	1.7	1.8	1.7	1.8	1.8
105	T.C.	20.3	20.2	18.9	20.0	21.8	18.8	20.1	19.3	21.5	23.1	17.4	20.0	19.7	23.1	24.5
	S.C.	19.9	19.6	15.7	14.0	11.1	18.4	19.5	16.6	16.4	12.8	16.9	19.3	17.6	18.8	14.4
	K.W.	1.9	1.7	1.9	1.9	1.9	1.9	1.8	1.9	1.9	1.9	1.8	1.9	1.8	1.9	2.0
115	T.C.	18.4	21.4	18.0	18.0	19.6	17.2	19.4	17.4	19.5	20.7	16.1	17.4	16.9	21.1	21.8
	S.C.	18.1	20.8	16.0	13.2	10.4	16.8	18.8	15.8	15.5	12.0	15.6	16.8	15.5	17.8	13.5
	K.W.	2.0	1.7	2.0	2.0	2.1	2.0	1.8	2.0	2.0	2.1	2.0	2.0	1.9	2.0	2.1
125	T.C.	16.5	22.6	17.1	16.1	17.3	15.6	18.7	15.5	17.5	18.2	14.8	14.8	14.0	19.0	19.1
	S.C.	16.2	22.0	16.4	12.4	9.6	15.2	18.1	14.9	14.6	11.1	14.2	14.2	13.4	16.7	12.6
	K.W.	2.2	1.8	2.2	2.1	2.2	2.1	1.9	2.1	2.2	2.2	2.1	2.1	2.0	2.2	2.3

NOTE: ALL CAPACITIES ARE NET (KBTUH) WITH INDOOR FAN HEAT ALREADY DEDUCTED AT 1250 BTUH/1000 CFM.

Multipliers for determining the performance with other indoor sections.

NOTE: For dry bulb temperatures different than those listed (between 73-87 F), sensible capacity increases by 1060 BTUH per 1000 CFM per degree above the listed temperature and decreases by 1060 BTUH per 1000 CFM per degree below the listed temperature.

Air Handler	Coil	T.C.	S.C.	KW
-	FC/MC/PC35	1.00	1.00	1.00
-	HC36	1.00	1.00	1.00
-	HD36	1.00	1.00	1.00
AV36	-	1.00	1.00	1.00
MV12B	FC/MC35B	1.03	1.03	0.94
MV12B	FC/MC35B	1.03	1.03	0.94
MA08B	FC/MC35B	1.00	1.00	1.00

Variable Speed Furnace	Coil	T.C.	S.C.	KW
P(C,V)9*B12	FC/MC/PC35B	1.02	1.02	0.93
P(C,V)9*B12	FC/MC/PC35B	1.02	1.02	0.93
P(C,V)9*B12	HC36	1.02	1.02	0.93
P(C,V)9*B12	HC36	1.02	1.02	0.93

COOLING PERFORMANCE DATA																
OUTDOOR UNIT MODEL NO.		E1ZD030S06														
INDOOR COIL MODEL NO.		AHP36														
CONDENSER ENTERING AIR TEMPERATURE	ID CFM	800					1000					1200				
	ID DB (°F)	80	80	75	80	80	80	80	75	80	80	80	80	75	80	80
	ID WB (°F)	57	62	62	67	72	57	62	62	67	72	57	62	62	67	72
65	T.C.	28.7	31.5	31.4	35.5	38.5	31.3	33.0	32.8	36.6	40.0	33.8	34.5	34.2	37.7	41.4
	S.C.	28.2	25.2	21.9	22.3	18.1	30.8	28.8	24.3	24.7	19.7	33.4	32.4	26.6	27.0	21.3
	K.W.	1.8	1.8	1.8	1.8	1.8	1.8	1.8	1.8	1.8	1.8	1.8	1.8	1.8	1.8	1.8
75	T.C.	27.5	29.7	29.6	33.2	36.3	29.7	30.9	30.7	34.3	37.6	31.9	32.2	31.9	35.4	38.9
	S.C.	27.0	24.5	21.2	21.4	17.3	29.3	27.7	23.5	23.7	18.8	31.5	30.9	25.8	26.1	20.4
	K.W.	2.0	2.0	2.0	2.0	2.0	2.0	2.0	2.0	2.0	2.0	2.0	2.0	2.0	2.0	2.0
85	T.C.	26.3	27.8	27.7	31.0	34.1	28.1	28.8	28.6	32.0	35.2	29.9	29.9	29.5	33.0	36.3
	S.C.	25.8	23.7	20.4	20.4	16.4	27.7	26.6	22.7	22.8	17.9	29.6	29.4	24.9	25.2	19.4
	K.W.	2.1	2.2	2.1	2.2	2.2	2.1	2.2	2.1	2.2	2.2	2.2	2.2	2.2	2.2	2.2
95	T.C.	25.1	26.0	25.9	28.7	31.9	26.6	26.8	26.6	29.7	32.8	28.0	27.6	27.2	30.7	33.8
	S.C.	24.7	23.0	19.6	19.4	15.6	26.2	25.4	21.8	21.8	17.0	27.7	27.9	24.1	24.2	18.5
	K.W.	2.3	2.3	2.3	2.3	2.4	2.3	2.3	2.3	2.4	2.4	2.3	2.3	2.3	2.4	2.4
105	T.C.	23.3	24.0	23.8	26.3	29.3	24.7	24.8	24.4	27.2	30.1	26.1	25.6	24.9	28.1	31.0
	S.C.	22.9	21.8	18.5	18.5	14.6	24.3	23.9	20.6	20.7	16.0	25.8	26.0	22.6	22.9	17.5
	K.W.	2.5	2.5	2.5	2.5	2.6	2.5	2.5	2.5	2.5	2.6	2.5	2.5	2.5	2.6	2.6
115	T.C.	21.6	22.0	21.8	24.0	26.8	22.9	22.8	22.2	24.7	27.5	24.2	23.6	22.7	25.5	28.2
	S.C.	21.1	20.7	17.5	17.5	13.7	22.5	22.4	19.4	19.6	15.1	23.9	24.1	21.3	21.6	16.5
	K.W.	2.6	2.6	2.6	2.7	2.8	2.7	2.7	2.6	2.7	2.8	2.7	2.7	2.7	2.7	2.8
125	T.C.	19.8	20.0	19.7	21.6	24.3	21.0	20.9	20.1	22.3	24.9	22.3	21.7	20.5	23.0	25.5
	S.C.	19.4	19.6	16.4	16.6	12.7	20.7	20.9	18.1	18.5	14.1	22.0	22.2	19.9	20.3	15.5
	K.W.	2.8	2.8	2.8	2.9	2.9	2.9	2.8	2.8	2.9	3.0	2.9	2.9	2.8	2.9	3.0

NOTE: ALL CAPACITIES ARE NET (KBTUH) WITH INDOOR FAN HEAT ALREADY DEDUCTED AT 1250 BTUH/1000 CFM.

Multipliers for determining the performance with other indoor sections.

NOTE: For dry bulb temperatures different than those listed (between 73-87 F), sensible capacity increases by 1060 BTUH per 1000 CFM per degree above the listed temperature and decreases by 1060 BTUH per 1000 CFM per degree below the listed temperature.

Air Handler	Coil	T.C.	S.C.	KW
-	FC/MC/PC48	1.00	1.00	1.00
-	HC42	1.00	1.00	1.00
-	HD48	1.00	1.00	1.00
-	UC48	1.00	1.00	1.00
AV36	-	1.02	1.02	0.93
MV16C	FC/MC48C	1.02	1.02	0.93
MV12D	FC/MC48D	1.02	1.02	0.93

Variable Speed Furnace	Coil	T.C.	S.C.	KW
P(C,V)8°C16	FC/MC/PC48C	1.02	1.02	0.93
P(C,V)8°C20	FC/MC/PC48C	1.02	1.03	0.93
P(C,V)9°C16	FC/MC/PC48C	1.02	1.02	0.93
P(C,V)8°C16	HC42	1.02	1.02	0.93
P(C,V)8°C20	HC42	1.02	1.03	0.93
P(C,V)9°C16	HC42	1.02	1.02	0.93

COOLING PERFORMANCE DATA																
OUTDOOR UNIT MODEL NO.		E1ZD036S06														
INDOOR COIL MODEL NO.		AHP36														
CONDENSER ENTERING AIR TEMPERATURE	ID CFM	1000					1200					1400				
	ID DB (°F)	80	80	75	80	80	80	80	75	80	80	80	80	75	80	80
	ID WB (°F)	57	62	62	67	72	57	62	62	67	72	57	62	62	67	72
65	T.C.	36.6	40.7	39.4	44.6	50.3	39.4	41.5	40.7	46.0	51.3	42.2	42.3	42.0	47.3	52.3
	S.C.	36.5	33.2	28.1	28.4	23.6	39.1	36.3	30.9	31.0	24.6	41.8	39.4	33.7	33.6	25.6
	K.W.	2.2	2.2	2.2	2.2	2.2	2.2	2.2	2.2	2.2	2.2	2.2	2.2	2.2	2.2	2.2
75	T.C.	34.9	38.2	37.3	41.8	47.0	37.3	39.0	38.3	42.9	47.8	39.6	39.7	39.3	44.0	48.6
	S.C.	34.8	32.1	27.2	27.2	22.4	37.0	34.9	29.7	29.7	23.5	39.2	37.8	32.3	32.2	24.6
	K.W.	2.3	2.4	2.4	2.4	2.4	2.4	2.4	2.4	2.4	2.4	2.4	2.4	2.4	2.4	2.4
85	T.C.	33.2	35.8	35.3	38.9	43.7	35.1	36.5	36.0	39.8	44.3	37.0	37.2	36.7	40.7	44.9
	S.C.	33.1	30.9	26.4	26.0	21.1	34.9	33.5	28.6	28.4	22.4	36.6	36.1	30.9	30.9	23.7
	K.W.	2.5	2.6	2.6	2.6	2.6	2.6	2.6	2.6	2.6	2.7	2.6	2.6	2.6	2.6	2.7
95	T.C.	31.5	33.3	33.2	36.1	40.4	32.9	34.0	33.6	36.8	40.8	34.3	34.6	34.0	37.4	41.3
	S.C.	31.4	29.7	25.5	24.8	19.9	32.7	32.1	27.5	27.1	21.3	34.1	34.4	29.5	29.5	22.7
	K.W.	2.7	2.8	2.8	2.8	2.9	2.8	2.8	2.8	2.8	2.9	2.8	2.8	2.8	2.9	2.9
105	T.C.	29.4	30.4	30.7	33.2	37.0	30.6	31.2	30.9	33.6	37.3	31.7	31.9	31.2	34.1	37.5
	S.C.	29.3	28.3	25.2	23.5	18.6	30.4	30.1	26.5	25.7	19.9	31.5	31.9	27.9	27.9	21.1
	K.W.	2.9	3.0	3.0	3.0	3.1	3.0	3.0	3.0	3.1	3.1	3.0	3.0	3.0	3.1	3.1
115	T.C.	27.3	27.6	28.3	30.3	33.7	28.3	28.5	28.4	30.5	33.8	29.2	29.3	28.4	30.8	33.9
	S.C.	27.2	27.0	25.0	22.2	17.3	28.1	28.3	25.6	24.3	18.5	28.9	29.5	26.3	26.4	19.7
	K.W.	3.2	3.2	3.2	3.2	3.3	3.2	3.2	3.2	3.3	3.3	3.3	3.2	3.2	3.3	3.4
125	T.C.	25.2	24.9	25.9	27.4	30.4	25.9	25.7	25.8	27.5	30.3	26.7	26.6	25.6	27.6	30.3
	S.C.	25.2	25.7	24.7	20.9	16.1	25.8	26.4	24.7	22.9	17.1	26.4	27.0	24.8	24.9	18.2
	K.W.	3.4	3.3	3.4	3.4	3.5	3.4	3.4	3.4	3.5	3.6	3.5	3.5	3.4	3.5	3.6

NOTE: ALL CAPACITIES ARE NET (KBTUH) WITH INDOOR FAN HEAT ALREADY DEDUCTED AT 1250 BTUH/1000 CFM.

Multipliers for determining the performance with other indoor sections.

NOTE: For dry bulb temperatures different than those listed (between 73-87 F), sensible capacity increases by 1060 BTUH per 1000 CFM per degree above the listed temperature and decreases by 1060 BTUH per 1000 CFM per degree below the listed temperature.

Air Handler	Coil	T.C.	S.C.	KW
-	FC/MC/PC48	1.00	1.00	1.00
-	HC42	1.00	1.00	1.00
-	HD48	1.00	1.00	1.00
-	UC48	1.00	1.00	1.00
AHP42	-	1.00	1.00	1.00
AV36	-	1.01	1.02	1.00
MV16C	FC/MC48C	1.01	1.03	0.92
MA14D	FC/MC48D	1.00	1.00	1.00
MV12D	FC/MC48D	1.01	1.03	0.92

Variable Speed Furnace	Coil	T.C.	S.C.	KW
P(C,V)8°C16	FC/MC/PC48C	1.01	1.03	0.92
P(C,V)8°C20	FC/MC/PC48C	1.01	1.03	0.92
P(C,V)9°C16	FC/MC/PC48C	1.01	1.02	0.92
P(C,V)9°C20	FC/MC/PC48C	1.01	1.02	0.92
P(C,V)9°D20	FC/MC/PC48D	1.01	1.02	0.92
P(C,V)8°C16	HC42	1.01	1.02	0.92
P(C,V)8°C20	HC42	1.01	1.03	0.92
P(C,V)9°C16	HC42	1.01	1.02	1.00
P(C,V)9°C20	HC42	1.01	1.02	1.00

COOLING PERFORMANCE DATA																
OUTDOOR UNIT MODEL NO.		E1ZD042S06														
INDOOR COIL MODEL NO.		AHP42														
CONDENSER ENTERING AIR TEMPERATURE	ID CFM	1200					1400					1600				
	ID DB (°F)	80	80	75	80	80	80	80	75	80	80	80	80	75	80	80
	ID WB (°F)	57	62	62	67	72	57	62	62	67	72	57	62	62	67	72
65	T.C.	41.3	43.7	42.6	48.5	52.0	42.8	44.9	43.7	48.7	52.8	44.2	46.1	44.9	48.9	53.6
	S.C.	40.5	37.7	31.5	31.0	24.9	42.2	40.6	33.9	33.3	26.2	43.9	43.5	36.2	35.7	27.5
	K.W.	2.2	2.2	2.2	2.3	2.3	2.2	2.2	2.3	2.3	2.3	2.2	2.2	2.3	2.3	2.3
75	T.C.	39.6	41.5	40.5	45.6	49.2	40.9	42.5	41.6	45.9	49.8	42.2	43.4	42.7	46.2	50.4
	S.C.	38.9	36.6	30.5	30.2	23.9	40.4	39.2	32.8	32.3	25.2	42.0	41.9	35.2	34.4	26.4
	K.W.	2.5	2.5	2.6	2.6	2.6	2.5	2.5	2.6	2.6	2.6	2.6	2.6	2.6	2.6	2.6
85	T.C.	37.8	39.3	38.5	42.8	46.3	39.0	40.0	39.4	43.2	46.8	40.3	40.8	40.4	43.5	47.2
	S.C.	37.2	35.5	29.5	29.4	22.8	38.7	37.9	31.8	31.3	24.1	40.2	40.3	34.1	33.2	25.4
	K.W.	2.9	2.9	2.9	2.9	2.9	2.9	2.9	2.9	2.9	3.0	2.9	2.9	2.9	2.9	3.0
95	T.C.	36.1	37.2	36.4	39.9	43.5	37.2	37.6	37.3	40.4	43.7	38.3	38.1	38.2	40.9	44.0
	S.C.	35.6	34.3	28.5	28.6	21.8	36.9	36.5	30.8	30.3	23.1	38.3	38.6	33.1	31.9	24.3
	K.W.	3.2	3.2	3.3	3.3	3.3	3.2	3.2	3.3	3.3	3.3	3.2	3.2	3.2	3.3	3.3
105	T.C.	33.4	34.6	34.1	37.2	40.5	34.4	35.1	34.8	37.5	40.6	35.3	35.5	35.4	37.8	40.7
	S.C.	33.6	32.6	27.1	27.0	20.7	34.7	34.3	29.2	28.7	21.8	35.8	36.0	31.2	30.4	22.9
	K.W.	3.7	3.7	3.7	3.7	3.8	3.7	3.7	3.7	3.8	3.8	3.7	3.7	3.7	3.8	3.8
115	T.C.	30.8	32.2	31.9	34.6	37.5	31.6	32.6	32.3	34.7	37.5	32.4	33.1	32.7	34.8	37.6
	S.C.	31.7	31.0	25.7	25.6	19.7	32.5	32.2	27.5	27.2	20.6	33.3	33.3	29.3	28.9	21.5
	K.W.	4.2	4.2	4.2	4.2	4.3	4.2	4.2	4.2	4.2	4.3	4.2	4.2	4.2	4.2	4.3
125	T.C.	28.2	29.7	29.7	31.9	34.5	28.9	30.2	29.9	31.9	34.4	29.5	30.6	30.1	31.9	34.4
	S.C.	29.7	29.3	24.4	24.1	18.6	30.3	30.0	25.9	25.8	19.3	30.9	30.7	27.5	27.4	20.1
	K.W.	4.7	4.7	4.7	4.7	4.7	4.7	4.7	4.7	4.7	4.7	4.7	4.7	4.7	4.7	4.7

NOTE: ALL CAPACITIES ARE NET (KBTUH) WITH INDOOR FAN HEAT ALREADY DEDUCTED AT 1250 BTUH/1000 CFM.

Multipliers for determining the performance with other indoor sections.

NOTE: For dry bulb temperatures different than those listed (between 73-87 F), sensible capacity increases by 1060 BTUH per 1000 CFM per degree above the listed temperature and decreases by 1060 BTUH per 1000 CFM per degree below the listed temperature.

Air Handler	Coil	T.C.	S.C.	KW
-	FC/MC/PC48	1.02	1.00	1.01
-	HC42	1.02	1.00	1.01
-	HD48	1.02	1.00	1.01
-	UC48	1.02	1.00	1.01
AV/SV48	-	1.03	1.02	1.01
AV/SV60	-	1.03	1.03	1.01
MV16C	FC/MC48C	1.03	1.02	1.01
MV20D	FC/MC48D	1.03	1.03	1.01
MA14D	FC/MC48D	1.02	1.00	1.01
MA16C	FC/MC48C	1.02	1.00	1.01

Variable Speed Furnace	Coil	T.C.	S.C.	KW
P(C,V)8°C16	FC/MC/PC48C	1.02	1.01	1.00
P(C,V)8°C20	FC/MC/PC48C	1.03	1.02	1.01
P(C,V)9°C16	FC/MC/PC48C	1.02	1.01	1.00
P(C,V)9°C20	FC/MC/PC48C	1.02	1.01	1.00
P(C,V)9°D20	FC/MC/PC48D	1.02	1.01	1.00
P(C,V)8°C16	HC42	1.02	1.01	1.00
P(C,V)8°C20	HC42	1.03	1.02	1.01
P(C,V)9°C16	HC42	1.02	1.01	1.00
P(C,V)9°C20	HC42	1.03	1.02	1.01

COOLING PERFORMANCE DATA																
OUTDOOR UNIT MODEL NO.		E1ZD048S06														
INDOOR COIL MODEL NO.		FC/MC/PC/UC60														
CONDENSER ENTERING AIR TEMPERATURE	ID CFM	1400					1600					1800				
	ID DB (°F)	80	80	75	80	80	80	80	75	80	80	80	80	75	80	80
	ID WB (°F)	57	62	62	67	72	57	62	62	67	72	57	62	62	67	72
65	T.C.	48.1	51.0	50.2	54.7	53.9	49.0	51.2	50.9	55.5	57.6	49.9	51.4	51.6	56.4	61.3
	S.C.	47.5	43.2	36.9	35.9	33.5	48.3	46.7	38.9	38.0	32.3	49.1	50.3	41.0	40.1	31.1
	K.W.	2.5	2.5	2.5	2.5	2.5	2.5	2.5	2.5	2.5	2.5	2.5	2.5	2.5	2.5	2.5
75	T.C.	46.0	48.3	47.9	52.1	53.0	46.9	48.7	48.4	52.8	55.6	47.8	49.1	48.9	53.4	58.2
	S.C.	45.5	42.1	35.8	34.9	30.8	46.3	45.1	37.8	37.0	30.4	47.1	48.0	39.9	39.1	30.0
	K.W.	2.9	2.9	2.9	2.9	2.9	2.9	2.9	2.8	2.9	2.9	2.9	2.9	2.8	2.9	2.9
85	T.C.	43.9	45.6	45.5	49.5	52.1	44.8	46.2	45.8	50.0	53.6	45.7	46.9	46.2	50.4	55.1
	S.C.	43.5	41.0	34.7	33.9	28.1	44.3	43.4	36.7	36.0	28.6	45.2	45.8	38.8	38.2	29.0
	K.W.	3.2	3.2	3.2	3.2	3.2	3.2	3.2	3.2	3.2	3.2	3.3	3.2	3.2	3.2	3.3
95	T.C.	41.9	42.8	43.1	46.9	51.1	42.7	43.8	43.3	47.2	51.6	43.5	44.7	43.5	47.5	52.0
	S.C.	41.4	39.9	33.6	32.9	25.5	42.3	41.7	35.6	35.1	26.7	43.2	43.5	37.7	37.2	27.9
	K.W.	3.6	3.6	3.6	3.6	3.6	3.6	3.6	3.6	3.6	3.6	3.6	3.6	3.6	3.6	3.6
105	T.C.	38.4	39.3	39.5	43.0	47.1	39.1	40.0	39.6	43.0	47.3	39.8	40.7	39.7	42.9	47.5
	S.C.	38.0	37.0	31.2	30.8	23.6	38.7	38.4	33.2	32.7	24.9	39.5	39.7	35.2	34.7	26.2
	K.W.	4.1	4.1	4.1	4.1	4.1	4.1	4.1	4.1	4.1	4.1	4.1	4.1	4.1	4.2	4.1
115	T.C.	34.9	35.9	36.0	39.2	43.2	35.5	36.4	36.0	38.9	43.2	36.1	36.9	35.9	38.5	43.2
	S.C.	34.6	34.2	28.9	28.7	21.9	35.2	35.1	30.8	30.5	23.2	35.9	36.0	32.7	32.3	24.6
	K.W.	4.6	4.6	4.6	4.6	4.6	4.6	4.6	4.6	4.7	4.6	4.6	4.6	4.6	4.7	4.6
125	T.C.	31.5	32.5	32.5	35.4	39.2	32.0	32.8	32.3	34.7	39.0	32.5	33.1	32.2	34.1	38.8
	S.C.	31.3	31.3	26.6	26.6	20.1	31.8	31.8	28.5	28.3	21.5	32.3	32.4	30.3	29.9	23.0
	K.W.	5.1	5.1	5.1	5.1	5.1	5.1	5.1	5.1	5.2	5.1	5.1	5.1	5.1	5.2	5.1

NOTE: ALL CAPACITIES ARE NET (KBTUH) WITH INDOOR FAN HEAT ALREADY DEDUCTED AT 1250 BTUH/1000 CFM.

Multipliers for determining the performance with other indoor sections.

NOTE: For dry bulb temperatures different than those listed (between 73-87 F), sensible capacity increases by 1060 BTUH per 1000 CFM per degree above the listed temperature and decreases by 1060 BTUH per 1000 CFM per degree below the listed temperature.

Air Handler	Coil	T.C.	S.C.	KW
–	HC60	1.00	1.00	1.00
–	HD60	1.00	1.00	1.00
–	UC60	1.00	1.00	1.00
AHP/SHP48	–	0.97	1.00	0.97
AHP/SHP60	–	1.01	1.01	1.00
AV/SV48	–	1.01	1.01	1.00
AV/SV60	–	1.01	1.01	1.00
MV20D	FC/MC60D	1.01	1.01	1.00
MA16C	FC60C	1.00	1.00	1.00
MA20D	FC/MC60D	1.00	1.00	1.00

Variable Speed Furnace	Coil	T.C.	S.C.	KW
P(C,V)8°C16	FC/PC60C	1.00	1.01	1.00
P(C,V)8°C20	FC/PC60C	1.00	1.01	1.00
P(C,V)9°C16	FC/PC60C	1.00	1.00	1.00
P(C,V)9°C20	FC/PC60C	1.00	1.01	1.00
P(C,V)9°D20	FC/MC/PC60D	1.00	1.01	1.00

COOLING PERFORMANCE DATA																
OUTDOOR UNIT MODEL NO.		E1ZD060S06														
INDOOR COIL MODEL NO.		FC/MC62														
CONDENSER ENTERING AIR TEMPERATURE	ID CFM	1650					1900					2150				
	ID DB (°F)	80	80	75	80	80	80	80	75	80	80	80	80	75	80	80
	ID WB (°F)	57	62	62	67	72	57	62	62	67	72	57	62	62	67	72
65	T.C.	52.7	52.1	55.9	61.3	61.9	55.0	55.1	57.0	62.4	64.1	57.2	58.0	58.0	63.5	66.2
	S.C.	52.4	53.4	40.5	40.6	30.5	54.7	54.4	43.2	43.1	32.2	56.9	55.4	45.9	45.6	34.0
	K.W.	2.8	2.8	2.8	2.9	2.9	2.8	2.8	2.8	2.9	2.9	2.8	2.8	2.8	2.9	2.9
75	T.C.	50.7	50.7	53.3	58.3	60.8	52.7	53.0	54.2	59.2	62.1	54.7	55.3	55.1	60.2	63.5
	S.C.	50.4	50.4	39.4	39.3	30.4	52.5	51.9	42.0	41.8	31.9	54.5	53.5	44.7	44.4	33.4
	K.W.	3.2	3.3	3.3	3.3	3.3	3.3	3.3	3.3	3.3	3.3	3.3	3.3	3.3	3.3	3.3
85	T.C.	48.6	49.2	50.6	55.4	59.6	50.4	50.9	51.4	56.1	60.2	52.3	52.6	52.2	56.9	60.7
	S.C.	48.3	47.3	38.3	38.0	30.4	50.2	49.5	40.9	40.6	31.7	52.1	51.6	43.5	43.2	32.9
	K.W.	3.7	3.7	3.7	3.7	3.7	3.7	3.7	3.7	3.7	3.7	3.7	3.7	3.7	3.7	3.8
95	T.C.	46.5	47.8	48.0	52.4	58.4	48.2	48.8	48.6	53.0	58.2	49.8	49.9	49.3	53.6	58.0
	S.C.	46.3	44.3	37.1	36.7	30.3	48.0	47.0	39.7	39.4	31.4	49.7	49.6	42.2	42.0	32.4
	K.W.	4.1	4.1	4.1	4.1	4.2	4.1	4.1	4.1	4.1	4.2	4.1	4.1	4.1	4.2	4.2
105	T.C.	43.7	44.7	44.5	48.8	54.2	45.1	45.6	45.1	49.2	54.1	46.6	46.6	45.6	49.6	54.1
	S.C.	43.6	42.4	35.5	35.3	28.3	45.1	44.6	37.9	37.7	29.6	46.6	46.8	40.3	40.2	30.8
	K.W.	4.6	4.7	4.6	4.7	4.7	4.7	4.7	4.6	4.7	4.7	4.7	4.7	4.7	4.7	4.7
115	T.C.	41.0	41.6	41.1	45.2	50.1	42.2	42.5	41.6	45.5	50.2	43.4	43.4	42.1	45.7	50.3
	S.C.	41.0	40.5	33.9	34.0	26.4	42.3	42.2	36.2	36.2	27.9	43.5	44.0	38.5	38.4	29.3
	K.W.	5.2	5.2	5.2	5.2	5.3	5.2	5.2	5.2	5.2	5.3	5.2	5.2	5.2	5.3	5.3
125	T.C.	38.2	38.5	37.8	41.7	46.0	39.2	39.4	38.1	41.8	46.2	40.3	40.2	38.5	41.8	46.5
	S.C.	38.3	38.6	32.3	32.6	24.5	39.4	39.9	34.5	34.6	26.1	40.5	41.2	36.6	36.6	27.7
	K.W.	5.8	5.7	5.7	5.7	5.8	5.8	5.7	5.7	5.8	5.8	5.8	5.8	5.7	5.8	5.8

NOTE: ALL CAPACITIES ARE NET (KBTUH) WITH INDOOR FAN HEAT ALREADY DEDUCTED AT 1250 BTUH/1000 CFM.

Multipliers for determining the performance with other indoor sections.

NOTE: For dry bulb temperatures different than those listed (between 73-87 F), sensible capacity increases by 1060 BTUH per 1000 CFM per degree above the listed temperature and decreases by 1060 BTUH per 1000 CFM per degree below the listed temperature.

Air Handler	Coil	T.C.	S.C.	KW
MV20D	FC/MC62D	1.00	1.00	0.98
MA20D	FC/MC62D	1.00	1.00	1.00

Variable Speed Furnace	Coil	T.C.	S.C.	KW
P(C,V)8°C20	FC/MC62D	1.00	1.00	0.98
P(C,V)9°C20	FC/MC62D	1.00	1.00	0.98
P(C,V)9°D20	FC/MC62D	0.98	0.98	0.96

HEATING PERFORMANCE DATA										
CONDENSING UNIT MODEL NO		E1ZD018S06								
EVAPORATOR COIL MODEL NO		AHP18								
AIR TEMP. ENTERING OUTDOOR UNIT	AIR TEMP. ENTERING INDOOR COIL	ID CFM								
		400			600			800		
		MBTUH	KW	C.O.P.	MBTUH	KW	C.O.P.	MBTUH	KW	C.O.P.
60	60	21.0	1.4	4.3	21.0	1.4	4.3	21.0	1.4	4.3
	70	19.7	1.5	3.9	20.5	1.4	4.1	21.3	1.4	4.4
	80	18.4	1.5	3.5	20.0	1.5	4.0	21.6	1.4	4.4
47	60	15.1	1.4	3.2	16.4	1.4	3.5	17.7	1.3	3.9
	70	16.5	1.3	3.6	17.8	1.3	4.0	19.1	1.3	4.4
	80	18.0	1.3	4.0	19.2	1.3	4.5	20.4	1.2	5.0
40	60	15.8	1.2	3.7	17.0	1.2	4.1	18.2	1.2	4.6
	70	14.4	1.3	3.3	15.6	1.2	3.7	16.8	1.2	4.1
	80	13.1	1.3	3.0	14.3	1.3	3.3	15.5	1.3	3.6
30	60	13.5	1.2	3.4	14.5	1.1	3.7	15.4	1.1	4.1
	70	12.2	1.2	3.0	13.1	1.2	3.3	14.0	1.1	3.6
	80	10.9	1.2	2.7	11.8	1.2	2.9	12.7	1.2	3.1
17	60	9.9	1.1	2.8	10.8	1.0	3.0	11.6	1.0	3.3
	70	9.0	1.1	2.5	9.7	1.1	2.7	10.4	1.0	2.9
	80	8.1	1.1	2.2	8.7	1.1	2.4	9.3	1.1	2.6
10	60	5.7	1.1	1.5	6.8	1.0	1.9	8.0	1.0	2.3
	70	7.0	1.0	2.0	7.9	1.0	2.3	8.8	1.0	2.6
	80	8.4	1.0	2.5	9.0	1.0	2.7	9.5	1.0	2.9

NOTE: ALL CAPACITIES ARE NET (KBTUH) WITH INDOOR FAN HEAT ALREADY DEDUCTED AT 1250 BTUH/1000 CFM.

Multipliers for determining the performance with other indoor sections.

Air Handler	Coil	T.C.	S.C.	KW
-	HC18	1.00	1.00	1.00
-	UC18	1.00	1.00	1.00
AHP18	-	1.00	1.00	1.00
AV24	FC/MC18B	0.98	1.05	0.95
MV12B	FC/MC18B	0.98	1.05	0.95
MA08B	FC/MC18B	1.00	1.00	1.00

Variable Speed Furnace	Coil	T.C.	S.C.	KW
P(C,V)8*A12	FC/MC/PC18A	0.98	1.06	0.94
PV9*A12	FC/MC/PC18A	0.98	1.05	0.95
P(C,V)9*B12	FC/MC/PC18B	0.98	1.06	0.94
P(C,V)8*A12	HC18	0.98	1.06	0.94
PV9*A12	HC18	0.98	1.05	0.95

HEATING PERFORMANCE DATA										
CONDENSING UNIT MODEL NO		E1ZD024S06								
EVAPORATOR COIL MODEL NO		AHP30								
AIR TEMP. ENTERING OUTDOOR UNIT	AIR TEMP. ENTERING INDOOR COIL	ID CFM								
		600			800			1000		
		MBTUH	KW	C.O.P.	MBTUH	KW	C.O.P.	MBTUH	KW	C.O.P.
60	60	27.7	1.9	4.2	29.1	1.9	4.6	30.5	1.8	5.0
	70	25.9	2.0	3.8	27.4	1.9	4.2	28.8	1.9	4.5
	80	24.2	2.0	3.5	25.7	2.0	3.8	27.2	1.9	4.1
47	60	21.9	1.7	3.7	23.3	1.7	4.0	24.6	1.6	4.4
	70	20.7	1.8	3.4	21.9	1.7	3.7	23.1	1.7	4.0
	80	19.5	1.8	3.2	20.5	1.8	3.4	21.5	1.8	3.6
40	60	19.3	1.6	3.5	20.5	1.6	3.8	21.7	1.6	4.0
	70	17.0	1.6	3.1	18.7	1.6	3.4	20.3	1.6	3.7
	80	14.7	1.6	2.7	16.9	1.6	3.0	19.0	1.7	3.3
30	60	16.3	1.5	3.2	17.2	1.5	3.4	18.1	1.5	3.7
	70	14.9	1.5	2.9	15.8	1.5	3.1	16.6	1.5	3.3
	80	13.5	1.5	2.6	14.3	1.5	2.8	15.2	1.5	2.9
17	60	12.2	1.3	2.7	12.9	1.3	2.9	13.5	1.3	3.1
	70	10.9	1.3	2.4	11.6	1.3	2.6	12.3	1.3	2.8
	80	9.7	1.3	2.1	10.3	1.3	2.3	11.0	1.3	2.4
10	60	9.9	1.2	2.4	10.4	1.2	2.5	10.9	1.2	2.7
	70	8.6	1.2	2.1	9.2	1.2	2.3	9.8	1.2	2.4
	80	7.4	1.2	1.8	8.0	1.2	2.0	8.6	1.2	2.1

NOTE: ALL CAPACITIES ARE NET (KBTUH) WITH INDOOR FAN HEAT ALREADY DEDUCTED AT 1250 BTUH/1000 CFM.

Multipliers for determining the performance with other indoor sections.

Air Handler	Coil	T.C.	S.C.	KW
-	FC/MC/PC35	1.00	1.00	1.00
-	HC36	1.00	1.00	1.00
-	HD36	1.00	1.00	1.00
AHP30	-	1.00	1.00	1.00
AV36	-	1.00	1.07	0.93
MV12B	FC/MC35B	1.00	1.07	0.93
MA08B	FC/MC35B	1.00	1.00	1.00

Variable Speed Furnace	Coil	T.C.	S.C.	KW
P(C,V)9*B12	FC/MC/PC35B	1.00	1.05	0.95
P(C,V)9*B12	FC/MC/PC35B	1.00	1.05	0.95
P(C,V)9*B12	HC36	1.00	1.05	0.95
P(C,V)9*B12	HC36	1.00	1.05	0.95

HEATING PERFORMANCE DATA										
CONDENSING UNIT MODEL NO		E1ZD030S06								
EVAPORATOR COIL MODEL NO		AHP36								
AIR TEMP. ENTERING OUTDOOR UNIT	AIR TEMP. ENTERING INDOOR COIL	ID CFM								
		800			1000			1200		
		MBTUH	KW	C.O.P.	MBTUH	KW	C.O.P.	MBTUH	KW	C.O.P.
60	60	37.3	2.2	4.9	38.9	2.1	5.3	40.4	2.1	5.8
	70	35.6	2.3	4.5	37.1	2.3	4.8	38.5	2.2	5.2
	80	34.0	2.5	4.0	35.3	2.4	4.3	36.7	2.3	4.6
47	60	31.7	2.1	4.5	33.2	2.0	4.8	34.7	2.0	5.2
	70	30.1	2.2	4.1	31.4	2.1	4.3	32.7	2.1	4.6
	80	28.4	2.3	3.7	29.6	2.2	3.9	30.7	2.2	4.1
40	60	28.5	2.0	4.2	29.6	1.9	4.5	30.8	1.9	4.7
	70	27.0	2.1	3.8	28.1	2.0	4.0	29.1	2.0	4.3
	80	25.5	2.2	3.5	26.5	2.1	3.7	27.5	2.1	3.9
30	60	24.3	1.9	3.8	25.2	1.9	4.0	26.0	1.8	4.2
	70	23.0	2.0	3.4	23.0	1.8	3.7	23.0	1.7	3.9
	80	21.7	2.0	3.1	20.9	1.8	3.4	20.1	1.6	3.7
17	60	19.4	1.7	3.3	20.1	1.7	3.4	20.8	1.7	3.6
	70	18.0	1.8	3.0	18.7	1.8	3.1	19.4	1.7	3.2
	80	16.6	1.8	2.7	17.3	1.8	2.8	17.9	1.8	2.9
10	60	16.6	1.6	3.0	16.9	1.6	3.0	17.2	1.6	3.1
	70	15.3	1.7	2.7	15.8	1.7	2.8	16.2	1.7	2.9
	80	14.0	1.7	2.4	14.7	1.7	2.5	15.3	1.7	2.6

NOTE: ALL CAPACITIES ARE NET (KBTUH) WITH INDOOR FAN HEAT ALREADY DEDUCTED AT 1250 BTUH/1000 CFM.

Multipliers for determining the performance with other indoor sections.

Air Handler	Coil	T.C.	S.C.	KW
-	FC/MC/PC48	1.00	1.00	1.00
-	HC42	1.00	1.00	1.00
-	HD48	1.00	1.00	1.00
-	UC48	1.00	1.00	1.00
AV36	-	1.00	1.07	0.93
MV16C	FC/MC48C	1.00	1.06	0.94
MV12D	FC/MC48D	1.00	1.05	0.95

Variable Speed Furnace	Coil	T.C.	S.C.	KW
P(C,V)8°C16	FC/MC/PC48C	1.00	1.06	0.94
P(C,V)8°C20	FC/MC/PC48C	1.00	1.07	0.93
P(C,V)9°C16	FC/MC/PC48C	1.00	1.05	0.95
P(C,V)8°C16	HC42	1.00	1.06	0.94
P(C,V)8°C20	HC42	1.00	1.07	0.93
P(C,V)9°C16	HC42	1.00	1.05	0.95

HEATING PERFORMANCE DATA										
CONDENSING UNIT MODEL NO		E1ZD036S06								
EVAPORATOR COIL MODEL NO		AHP36								
AIR TEMP. ENTERING OUTDOOR UNIT	AIR TEMP. ENTERING INDOOR COIL	ID CFM								
		1000			1200			1400		
		MBTUH	KW	C.O.P.	MBTUH	KW	C.O.P.	MBTUH	KW	C.O.P.
60	60	49.6	2.8	5.1	50.5	2.7	5.4	51.5	2.6	5.7
	70	47.4	3.0	4.6	48.8	2.9	4.9	50.2	2.8	5.2
	80	45.3	3.2	4.2	47.1	3.1	4.5	48.8	3.0	4.8
47	60	41.3	2.6	4.6	41.7	2.6	4.8	42.2	2.5	5.0
	70	39.8	2.8	4.2	40.5	2.7	4.4	41.2	2.6	4.6
	80	38.2	2.9	3.9	39.2	2.8	4.1	40.2	2.8	4.3
40	60	36.8	2.5	4.3	37.2	2.5	4.4	37.7	2.4	4.6
	70	35.3	2.6	3.9	35.6	2.6	4.1	36.0	2.5	4.2
	80	33.7	2.7	3.6	34.0	2.7	3.7	34.3	2.7	3.8
30	60	32.4	2.3	4.2	32.4	2.3	4.1	32.4	2.4	4.0
	70	30.5	2.4	3.7	30.9	2.4	3.8	31.2	2.4	3.8
	80	28.5	2.5	3.4	29.3	2.5	3.5	30.0	2.5	3.6
17	60	23.8	2.1	3.3	24.3	2.1	3.4	24.7	2.1	3.5
	70	22.3	2.2	3.0	23.0	2.1	3.1	23.8	2.1	3.3
	80	20.7	2.2	2.8	21.8	2.2	2.9	22.9	2.2	3.1
10	60	21.0	2.0	3.2	21.3	2.0	3.2	21.5	2.0	3.1
	70	19.9	2.0	2.9	20.3	2.0	2.9	20.8	2.0	3.0
	80	18.8	2.1	2.7	19.4	2.1	2.8	20.0	2.1	2.9

NOTE: ALL CAPACITIES ARE NET (KBTUH) WITH INDOOR FAN HEAT ALREADY DEDUCTED AT 1250 BTUH/1000 CFM.

Multipliers for determining the performance with other indoor sections.

Air Handler	Coil	T.C.	S.C.	KW
-	FC/MC/PC48	1.00	1.00	1.00
-	HC42	1.00	1.00	1.00
-	HD48	1.00	1.00	1.00
-	UC48	1.00	1.00	1.00
AHP42	-	1.00	1.00	1.00
AV36	-	1.00	1.04	0.96
MV16C	FC/MC48C	1.00	1.05	0.95
MA14D	FC/MC48D	1.00	1.00	1.00
MV12D	FC/MC48D	1.00	1.05	0.95

Variable Speed Furnace	Coil	T.C.	S.C.	KW
P(C,V)8°C16	FC/MC/PC48C	1.00	1.04	0.96
P(C,V)8°C20	FC/MC/PC48C	1.00	1.05	0.95
P(C,V)9°C16	FC/MC/PC48C	1.00	1.04	0.96
P(C,V)9°C20	FC/MC/PC48C	1.00	1.04	0.96
P(C,V)9°D20	FC/MC/PC48D	1.00	1.04	0.96
P(C,V)8°C16	HC42	1.00	1.04	0.96
P(C,V)8°C20	HC42	1.00	1.05	0.95
P(C,V)9°C16	HC42	1.00	1.03	0.97
P(C,V)9°C20	HC42	1.00	1.04	0.96

HEATING PERFORMANCE DATA										
CONDENSING UNIT MODEL NO		E1ZD042S06								
EVAPORATOR COIL MODEL NO		AHP42								
AIR TEMP. ENTERING OUTDOOR UNIT	AIR TEMP. ENTERING INDOOR COIL	ID CFM								
		1200			1400			1600		
		MBTUH	KW	C.O.P.	MBTUH	KW	C.O.P.	MBTUH	KW	C.O.P.
60	60	55.8	3.2	55.9	3.1	56.0	2.9	55.8	3.2	55.9
	70	54.5	4.0	55.4	3.8	56.4	3.6	54.5	4.0	55.4
	80	48.3	3.1	47.2	2.9	46.1	2.6	48.3	3.1	47.2
47	60	47.3	3.9	47.6	3.7	47.8	3.5	47.3	3.9	47.6
	70	41.4	3.1	39.5	2.9	37.6	2.7	41.4	3.1	39.5
	80	42.2	3.8	42.8	3.6	43.3	3.5	42.2	3.8	42.8
40	60	37.5	2.9	37.1	2.8	36.8	2.7	37.5	2.9	37.1
	70	37.1	3.8	37.1	3.6	37.2	3.4	37.1	3.8	37.1
	80	25.8	2.7	27.8	2.7	29.8	2.6	25.8	2.7	27.8
30	60	30.1	3.6	30.7	3.4	31.3	3.3	30.1	3.6	30.7
	70	26.4	2.7	26.5	2.6	26.6	2.6	26.4	2.7	26.5
	80	27.6	3.4	27.7	3.3	27.7	3.2	27.6	3.4	27.7
17	60	55.8	3.2	55.9	3.1	56.0	2.9	55.8	3.2	55.9
	70	54.5	4.0	55.4	3.8	56.4	3.6	54.5	4.0	55.4
	80	48.3	3.1	47.2	2.9	46.1	2.6	48.3	3.1	47.2
10	60	47.3	3.9	47.6	3.7	47.8	3.5	47.3	3.9	47.6
	70	41.4	3.1	39.5	2.9	37.6	2.7	41.4	3.1	39.5
	80	42.2	3.8	42.8	3.6	43.3	3.5	42.2	3.8	42.8

NOTE: ALL CAPACITIES ARE NET (KBTUH) WITH INDOOR FAN HEAT ALREADY DEDUCTED AT 1250 BTUH/1000 CFM.

Multipliers for determining the performance with other indoor sections.

Air Handler	Coil	T.C.	S.C.	KW
-	FC/MC/PC48	1.00	1.00	1.00
-	HC42	1.00	1.00	1.00
-	HD48	1.00	1.00	1.00
-	UC48	1.00	1.00	1.00
AV/SV48	-	1.00	1.04	0.96
AV/SV60	-	1.00	1.04	0.96
MV16C	FC/MC48C	1.00	1.03	0.97
MV20D	FC/MC48D	1.00	1.04	0.96
MA14D	FC/MC48D	1.00	1.00	1.00
MA16C	FC/MC48C	1.00	1.00	1.00

Variable Speed Furnace	Coil	T.C.	S.C.	KW
P(C,V)8°C16	FC/MC/PC48C	1.00	1.02	0.98
P(C,V)8°C20	FC/MC/PC48C	1.00	1.02	0.98
P(C,V)9°C16	FC/MC/PC48C	1.00	1.02	0.98
P(C,V)9°C20	FC/MC/PC48C	1.00	1.02	0.98
P(C,V)9°D20	FC/MC/PC48D	1.00	1.02	0.98
P(C,V)8°C16	HC42	1.00	1.02	0.98
P(C,V)8°C20	HC42	1.00	1.02	0.98
P(C,V)9°C16	HC42	1.00	1.02	0.98
P(C,V)9°C20	HC42	1.00	1.02	0.98

HEATING PERFORMANCE DATA										
CONDENSING UNIT MODEL NO		E1ZD048S06								
EVAPORATOR COIL MODEL NO		FC/MC/PC/UC60								
AIR TEMP. ENTERING OUTDOOR UNIT	AIR TEMP. ENTERING INDOOR COIL	ID CFM								
		1400			1600			1800		
		MBTUH	KW	C.O.P.	MBTUH	KW	C.O.P.	MBTUH	KW	C.O.P.
60	60	63.9	3.2	5.8	64.2	3.4	5.6	64.6	3.5	5.4
	70	62.4	3.6	5.1	62.6	3.8	4.9	62.8	3.9	4.7
	80	60.8	3.9	4.5	60.9	4.1	4.3	61.1	4.3	4.1
47	60	54.2	3.1	5.2	54.4	3.2	5.0	54.6	3.3	4.8
	70	53.1	3.5	4.4	53.2	3.6	4.3	53.3	3.7	4.2
	80	52.0	3.9	3.9	52.1	4.0	3.8	52.1	4.1	3.7
40	60	49.1	3.2	4.5	49.3	3.1	4.6	49.6	3.0	4.8
	70	48.1	3.5	4.0	48.2	3.4	4.1	48.4	3.4	4.2
	80	47.1	3.8	3.7	47.1	3.7	3.7	47.2	3.7	3.7
30	60	42.8	2.9	4.3	43.0	3.0	4.2	43.2	3.1	4.1
	70	41.8	3.2	3.8	43.5	3.3	3.8	45.2	3.4	3.9
	80	40.8	3.6	3.3	43.9	3.7	3.5	47.1	3.7	3.7
17	60	37.1	2.8	3.9	37.1	2.9	3.8	37.1	3.0	3.7
	70	35.7	3.1	3.3	36.0	3.2	3.3	36.2	3.3	3.2
	80	34.2	3.5	2.9	34.8	3.5	2.9	35.4	3.6	2.9
10	60	32.8	2.9	3.3	33.3	2.9	3.4	33.7	2.8	3.5
	70	32.1	3.2	3.0	32.6	3.2	3.0	33.2	3.2	3.1
	80	31.4	3.4	2.7	32.0	3.5	2.7	32.6	3.5	2.7

NOTE: ALL CAPACITIES ARE NET (KBTUH) WITH INDOOR FAN HEAT ALREADY DEDUCTED AT 1250 BTUH/1000 CFM.

Multipliers for determining the performance with other indoor sections.

Air Handler	Coil	T.C.	S.C.	KW
-	HC60	1.00	1.00	1.00
-	HD60	1.00	1.00	1.00
-	UC60	1.00	1.00	1.00
AHP/SHP48	-	1.00	1.00	1.00
AHP/SHP60	-	1.00	1.02	0.98
AV/SV48	-	1.00	1.03	0.97
AV/SV60	-	1.00	1.02	0.98
MV20D	FC/MC60D	1.00	1.03	0.97
MA16C	FC60C	1.00	1.00	1.00
MA20D	FC/MC60D	1.00	1.00	1.00

Variable Speed Furnace	Coil	T.C.	S.C.	KW
P(C,V)8°C16	FC/PC60C	1.00	1.01	0.99
P(C,V)8°C20	FC/PC60C	1.00	1.01	0.99
P(C,V)9°C16	FC/PC60C	1.00	1.00	1.00
P(C,V)9°C20	FC/PC60C	1.00	1.01	0.99
P(C,V)9°D20	FC/MC/PC60D	1.00	1.01	0.99

HEATING PERFORMANCE DATA										
CONDENSING UNIT MODEL NO		E1ZD060S06								
EVAPORATOR COIL MODEL NO		FC/MC62								
AIR TEMP. ENTERING OUTDOOR UNIT	AIR TEMP. ENTERING INDOOR COIL	ID CFM								
		1650			1900			2150		
		MBTUH	KW	C.O.P.	MBTUH	KW	C.O.P.	MBTUH	KW	C.O.P.
60	60	64.6	3.6	5.2	65.9	3.5	5.5	67.1	3.4	5.9
	70	62.7	4.0	4.6	63.9	3.9	4.8	65.1	3.7	5.1
	80	60.9	4.4	4.0	62.0	4.3	4.3	63.2	4.1	4.5
47	60	56.4	3.5	4.8	57.0	3.4	5.0	57.5	3.2	5.2
	70	54.7	3.8	4.2	55.4	3.7	4.4	56.1	3.6	4.6
	80	53.0	4.2	3.7	53.8	4.1	3.8	54.6	4.0	4.0
40	60	50.1	3.4	4.3	51.1	3.3	4.5	52.1	3.2	4.7
	70	49.1	3.8	3.8	49.8	3.7	3.9	50.4	3.6	4.1
	80	48.2	4.2	3.4	48.4	4.1	3.5	48.6	4.0	3.6
30	60	44.2	3.3	3.9	44.7	3.2	4.0	45.2	3.2	4.2
	70	42.9	3.7	3.4	43.4	3.6	3.5	43.9	3.5	3.7
	80	41.6	4.0	3.0	42.1	3.9	3.1	42.5	3.9	3.2
17	60	36.1	3.2	3.3	36.6	3.1	3.4	37.0	3.1	3.6
	70	35.4	3.6	2.9	35.8	3.5	3.0	36.2	3.4	3.1
	80	34.7	3.9	2.6	35.0	3.8	2.7	35.4	3.7	2.8
10	60	31.1	3.1	3.0	31.4	3.0	3.0	31.7	3.0	3.1
	70	30.4	3.4	2.6	30.7	3.4	2.7	31.0	3.3	2.8
	80	29.6	3.8	2.3	29.9	3.7	2.4	30.2	3.6	2.4

NOTE: ALL CAPACITIES ARE NET (KBTUH) WITH INDOOR FAN HEAT ALREADY DEDUCTED AT 1250 BTUH/1000 CFM.

Multipliers for determining the performance with other indoor sections.

Air Handler	Coil	T.C.	S.C.	KW
MV20D	FC/MC62D	1.00	1.01	0.99
MA20D	FC/MC62D	1.00	1.00	1.00

Variable Speed Furnace	Coil	T.C.	S.C.	KW
P(C,V)8°C20	FC/MC62D	1.00	1.00	1.00
P(C,V)9°C20	FC/MC62D	0.98	1.00	1.00
P(C,V)9°D20	FC/MC62D	0.98	1.01	0.99

NOTES

NOTES

NOTES

Subject to change without notice. Printed in U.S.A.
Copyright © by York International Corp. 2007. All rights reserved.

331485-YTG-B-0607
Supersedes: 331485-YTG-A-0507

**Unitary
Product
Group**

**5005
York
Drive**

**Norman
OK
73069**