



Heating and Air Conditioning

TECHNICAL GUIDE

SPLIT-SYSTEM AIR CONDITIONERS

13 SEER – R-410A

MODELS:
H*ZD018 THRU 060
(1.5 THRU 5 NOMINAL TONS, 1 PHASE)



Due to continuous product improvement, specifications are subject to change without notice.

Visit us on the web at www.york.com

Additional rating information can be found at www.ari.org/aridirectory

DESCRIPTION

The 13 SEER Series condensing unit is the outdoor part of a versatile system of air conditioning. It is designed to be custom-matched with one of UPG's complete line of evaporator sections, with each serving a specific function. Matching Air Handlers are available for upflow, downflow, or horizontal applications to provide a complete system. Electric Heaters are available, if required. Add-On coils are available for use with upflow, downflow, or horizontal furnaces and air handlers.

WARRANTY

5-year limited parts warranty.
5-year limited compressor warranty.

FEATURES

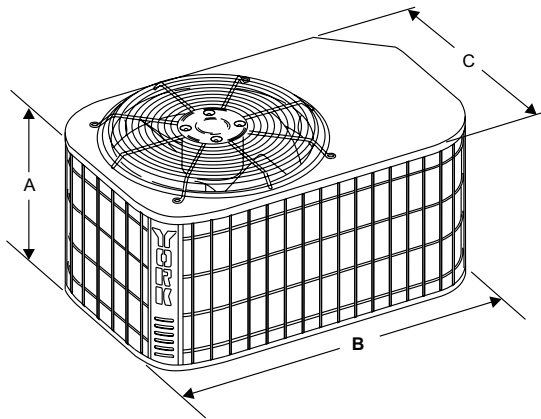
- **QUALITY CONDENSER COILS** - The coil is constructed of copper tube and aluminum fins.
- **PROTECTED COMPRESSOR** - The compressor is internally protected against high pressure and temperature. This is accomplished by the simultaneous operation of high pressure relief valve and a temperature sensor which protects the compressor if undesirable operating conditions occur. A liquid line filter-drier further protects the compressor.
- **DURABLE FINISH** - The cabinet is made of pre-painted steel. The pre-treated galvanized steel provides a better paint to steel bond, which resists corrosion and rust creep. Special primer formulas and matted-textured finish insure less fading when exposed to sunlight.
- **LOWER INSTALLED COST** - Installation time and costs are reduced by easy power and control wiring connections. Discharge line heat exchanger knockouts are provided, if required. Available in sweat connect models only. The unit contains enough refrigerant for matching indoor coils and 15 feet of interconnecting piping. The small base dimension means less space is required on the ground or roof.
- **TOP DISCHARGE** - The warm air from the top mounted fan is blown up away from the structure and any landscaping. This allows compact location on multi-unit applications.
- **LOW OPERATING SOUND LEVEL** - The upward air flow carries the normal operating noise away from the living area. The rigid top panel effectively isolates any motor sound. Isolator mounted compressor and the rippled fins of the condenser coil muffle the normal fan motor and compressor operating sounds.
- **LOW MAINTENANCE** - Long life permanently lubricated motor-bearings need no annual servicing.
- **EASY SERVICE ACCESS** - Fully exposed refrigerant connections, a single panel covering the electrical controls, and the molex plug in the control box connecting the condenser fan make for easy servicing of the unit.
- **SECURED SERVICE VALVES** - Secured re-usable service valves are provided on both the liquid and vapor sweat connections for ease of evacuating and charging.
- **U.L. and C.U.L. listed** - approved for outdoor application.

Certified in accordance with the Unitary Small Equipment certification program, which is based on ARI Standard 210/240.

PHYSICAL AND ELECTRICAL DATA

MODEL	H1ZD018S06	H1ZD024S06	H1ZD030S06	H1ZD036S06	H1ZD042S06	H1ZD048S06	H1ZD060S06	
Unit Supply Voltage	208-230V, 1 ϕ , 60Hz							
Normal Voltage Range ¹	187 to 252							
Minimum Circuit Ampacity	8.5	11.7	14.2	19.2	23.9	27.9	37.5	
Max. Overcurrent Device Amps ²	15	20	20	30	40	45	60	
Min. Overcurrent Device Amps ³	15	15	15	20	25	30	40	
Compressor Type	Recip	Recip	Recip	Recip	Scroll	Scroll	Scroll	
Compressor Amps	Rated Load	6.4	8.96	10.7	14.7	17.9	21.1	28.8
	Locked Rotor	47	48	57	83	112	115	150
Crankcase Heater	No	No	No	No	No	No	No	
Fan Motor Amps	Rated Load	0.5	0.5	0.8	0.8	1.5	1.5	1.5
Fan Diameter Inches	22	22	22	22	22	22	22	
Fan Motor	Rated HP	1/15	1/15	1/8	1/8	1/4	1/4	1/4
	Nominal RPM	830	830	1075	1075	850	850	850
	Nominal CFM	2200	2200	2500	2700	3000	3000	3200
Coil	Face Area Sq. Ft.	15.71	15.71	15.71	20.96	20.96	20.96	23.58
	Rows Deep	1	1	1	1	1	1	1
	Fin / Inches	18	18	18	22	22	22	22
Liquid Line OD (Field Installed)	3/8	3/8	3/8	3/8	3/8	3/8	3/8	
Vapor Line OD (Field Installed)	3/4	3/4	3/4	7/8	7/8	7/8	1 1/8	
Unit Charge (Lbs. - Oz.) ⁴	6 - 1	6 - 2	6 - 5	7 - 13	8 - 4	8 - 7	9 - 1	
Charge Per Foot, Oz.	0.68	0.68	0.68	0.70	0.70	0.70	0.76	
Operating Weight Lbs.	150	150	170	195	180	184	198	

1. Rated in accordance with ARI Standard 110, utilization range "A".
2. Dual element fuses or HACR circuit breaker. Maximum allowable overcurrent protection.
3. Dual element fuses or HACR circuit breaker. Minimum recommended overcurrent protection.
4. The Unit Charge is correct for the outdoor unit, matched indoor coil and 15 feet of refrigerant tubing. For tubing lengths other than 15 feet, add or subtract the amount of refrigerant, using the difference in length multiplied by the per foot value. See the "Additional R-22/410A charge" for additional refrigerant needed for evaporator units.



All dimensions are in inches. They are subject to change without notice. Certified dimensions will be provided upon request.

DIMENSIONS

Unit Model	Dimensions (Inches)			Refrigerant Connection Service Valve Size	
	A ¹	B	C	Liquid	Vapor
18	27	37	27	3/8	3/4
24	27	37	27		
30	27	37	27		
36	35	37	27		7/8
42	35	37	27		
48	35	37	27		
60	39	37	27		7/8*

1. Including Fan Guard.

* Adapter fitting required for 1-1/8" line set.

Additional R-410A Charge / Orifice Size for Various Matched Systems							
Outdoor Unit	H1ZD018S06	H1ZD024S06	H1ZD030S06	H1ZD036S06	H1ZD042S06	H1ZD048S06	H1ZD060S06
Required TXV ¹	1TVM4A1	1TVM4A1	1TVM4B1	1TVM4B1	1TVM4B1	1TVM4C1	1TVM4D1
Factory R-410A Charge, lbs-oz	6 - 1	6 - 2	6 - 5	7 - 13	8 - 4	8 - 7	9 - 1
Indoor Coil ²	Additional Charge, Oz						
FC/MC/PC/UC18A	0	-	-	-	-	-	-
FC/MC/PC/UC18B	0	-	-	-	-	-	-
FC/MC/PC/UC24A	4	0	-	-	-	-	-
FC/MC/PC/UC24B	4	0	-	-	-	-	-
FC/MC/PC/UC30A	-	0	0	-	-	-	-
FC/MC/PC/UC30B	-	0	0	-	-	-	-
FC/MC/PC/UC36A	-	3	3	0	-	-	-
FC/MC/PC/UC36B	-	3	3	0	-	-	-
FC/MC/PC/UC36C	-	3	3	0	-	-	-
FC/MC/PC/UC42B	-	-	-	-	0	-	-
FC/MC/PC/UC42C	-	-	-	-	0	-	-
FC/MC/PC/UC48C	-	-	-	-	8	0	-
FC/MC/PC/UC48D	-	-	-	-	8	0	-
FC/PC/UC60C	-	-	-	-	-	-	0
FC/MC/PC/UC60D	-	-	-	-	-	-	0
MC61D	-	-	-	-	-	-	4
HC18A	0	-	-	-	-	-	-
HC30A	-	0	0	-	-	-	-
HC36B	-	-	3	0	-	-	-
HC42C	-	-	-	-	0	0	-
HC60D	-	-	-	-	-	4	0
HD24A	-	0	-	-	-	-	-
HD36B	-	-	3	0	-	-	-
HD48C	-	-	-	-	8	0	-
HD60D	-	-	-	-	-	4	0
AHP18B	0	-	-	-	-	-	-
AHP24B	2	0	-	-	-	-	-
AHP30B	-	5	0	-	-	-	-
AHP36C	-	-	2	0	-	-	-
AHP42C	-	-	-	-	2	-	-
AHP/SHP48D	-	-	-	-	12	4	-
AHP/SHP60D	-	-	-	12	12	4	0
AV24B	2	0	-	-	-	-	-
AV36C	-	-	0	0	-	-	-
AV/SV48D	-	-	-	-	12	4	-
AV/SV60D	-	-	-	-	12	4	0

FOOTNOTES:

1. If indoor coil comes with a factory-installed TXV, it must be removed and replaced with the required TXV.
2. Systems matched with furnace or air handlers not equipped with blower-off delays may require blower Time Delay Kit 2FD06700224.

PROCEDURES:

1. Unit factory charge listed on the unit nameplate includes refrigerant for the condenser, the smallest evaporator and 15 feet of interconnecting line tubing.
2. Verify the TXV and additional charge required for specific evaporator coil in the system using the above table.
3. Additional charge for the amount of interconnecting line tubing greater than 15 feet at the rate specified in the table above.
4. Permanently mark the unit nameplate with the total system charge. Total System Charge = Base Charge (as shipped) + adder for evaporator + adder for line set.

COOLING CAPACITY - With Air Handler Coils

UNIT MODEL	AIR HANDLER			COIL MODEL ¹	COOLING				
	MODEL	ELECTRIC HEAT KW ²	W		RATED CFM	NET MBH		SEER	EER
						TOTAL	SENS.		
1 PH 13 SEER AC WITH MC									
H1ZD018S06	MA08B	2,5,8,10	17	FC/MC18B	600	18.0	12.2	13.00	11.00
	MA08B	2,5,8,10	17	FC/MC24B	600	18.0	12.2	13.00	11.00
H1ZD024S06	MA08B	2,5,8,10	17	FC/MC24B	800	23.0	16.8	13.00	11.00
	MA08B	2,5,8,10	17	FC/MC30B	800	23.0	16.8	13.00	11.00
	MA08B	2,5,8,10	17	FC/MC36B	800	23.4	17.4	13.00	11.00
H1ZD030S06	MA12B	5,8,10	17	FC/MC30B	1000	28.6	21.4	13.00	11.00
	MA12B	5,8,10	17	FC/MC36B	1000	29.0	21.7	13.00	11.00
H1ZD036S06	MA12B	5,8,10	17	FC/MC36B	1200	35.6	24.2	13.00	11.00
H1ZD042S06	MA16C	5,8,10,15,18,20	21	FC/MC42C	1400	40.0	30.0	13.00	11.00
	MA16C	5,8,10,15,18,20	21	FC/MC48C	1400	41.0	30.8	13.00	11.00
	MA14D	5,8,10,15,18,20	24	FC/MC48D	1400	41.0	30.8	13.00	11.00
H1ZD048S06	MA16C	5,8,10,15,18,20	21	FC/MC48C	1600	45.0	33.3	13.00	11.00
	MA20D	8,10,15,20,25	24	FC/MC48D	1600	45.0	33.3	13.00	11.00
H1ZD060S06	MA20D	8,10,15,20,25	24	FC/MC60D	1800	55.0	39.6	13.00	11.00
	MA20D	8,10,15,20,25	24	MC61D	1800	55.5	40.0	13.00	11.00
1 PH 13 SEER AC WITH MV - VARIABLE SPEED									
H1ZD018S06	MV12B	5,8,10,15	17	FC/MC18B	600	18.0	12.2	14.00	11.50
	MV12B	5,8,10,15	17	FC/MC24B	600	18.0	12.2	14.00	11.50
H1ZD024S06	MV12B	5,8,10,15	17	FC/MC24B	800	23.4	17.4	14.00	11.50
	MV12B	5,8,10,15	17	FC/MC30B	800	23.4	17.4	14.00	11.50
	MV12B	5,8,10,15	17	FC/MC36B	800	23.8	17.8	14.00	11.50
H1ZD030S06	MV12B	5,8,10,15	17	FC/MC30B	1000	29.0	21.8	14.00	11.50
	MV12B	5,8,10,15	17	FC/MC36B	1000	29.4	22.1	14.00	11.50
	MV16C	5,8,10,15,18,20	21	FC/MC36C	1000	29.6	22.3	14.00	11.50
H1ZD036S06	MV12B	5,8,10,15	17	FC/MC36B	1200	35.8	24.4	13.50	11.00
	MV16C	5,8,10,15,18,20	21	FC/MC36C	1200	36.0	24.6	14.00	11.50
H1ZD042S06	MV16C	5,8,10,15,18,20	21	FC/MC42C	1400	40.5	30.5	13.75	11.00
	MV16C	5,8,10,15,18,20	21	FC/MC48C	1400	41.5	30.8	14.00	11.50
	MV20D	8,10,15,18,20,25	24	FC/MC48D	1400	41.5	30.8	14.00	11.50
H1ZD048S06	MV16C	5,8,10,15,18,20	21	FC/MC48C	1600	45.5	33.8	13.50	11.00
	MV20D	8,10,15,18,20,25	24	FC/MC48D	1600	45.5	33.8	13.50	11.00
H1ZD060S06	MV20D	8,10,15,18,20,25	24	FC/MC60D	1800	55.0	39.6	13.20	11.00
	MV20D	8,10,15,18,20,25	24	MC61D	1800	55.5	40.0	13.25	11.00
1 PH 13 SEER AC WITH AV / SV - VARIABLE SPEED									
H1ZD018S06	AV24	2,5,8,10,15	17	-	600	18.0	12.2	14.00	11.50
H1ZD024S06	AV24	2,5,8,10,15	17	-	800	23.4	17.4	14.00	11.50
H1ZD030S06	AV36	5,8,10,15,18	17	-	1000	29.6	22.3	14.00	11.50
H1ZD036S06	AV36	5,8,10,15,18	17	-	1200	35.8	24.4	13.50	11.00
H1ZD042S06	AV/SV48	5,8,10,15,18,20,25	24	-	1400	40.5	30.5	13.75	11.00
	AV/SV60	5,8,10,15,18,20,25	24	-	1400	40.5	30.5	13.75	11.00
H1ZD048S06	AV/SV48	5,8,10,15,18,20,25	24	-	1600	45.5	33.8	13.50	11.00
	AV/SV60	5,8,10,15,18,20,25	24	-	1600	45.5	33.8	13.50	11.00
H1ZD060S06	AV/SV60	5,8,10,15,18,20,25	24	-	1800	55.0	39.6	13.20	11.00
1 PH 13 SEER AC WITH AHP									
H1ZD018S06	AHP18	2,5,8	17	-	650	18.0	12.2	13.00	11.00
	AHP24	2,5,8,10	17	-	655	18.0	12.2	13.00	11.00
H1ZD024S06	AHP24	2,5,8,10	17	-	830	23.0	16.8	13.00	11.00
	AHP30	5,8,10	17	-	795	23.2	17.0	13.00	11.00
H1ZD030S06	AHP30	5,8,10	17	-	1015	28.6	21.4	13.00	11.00
	AHP36	5,8,10,15,18	17	-	1040	28.8	21.6	13.00	11.00

For Notes See Page 5.

COOLING CAPACITY - With Air Handler Coils (Continued)

UNIT MODEL	AIR HANDLER			COIL MODEL ¹	COOLING				
	MODEL	ELECTRIC HEAT KW ²	W		RATED CFM	NET MBH		SEER	EER
						TOTAL	SENS.		
1 PH 13 SEER AC WITH AHP (Continued)									
H1ZD036S06	AHP36	5,8,10,15,18	17	—	1235	35.4	24.2	13.00	11.00
	AHP42	5,8,10,15,18	21	—	1255	35.6	24.4	13.00	11.00
	AHP/SHP60	5,8,10,15,20,25	24	—	1200	36.0	24.8	14.00	11.50
H1ZD042S06	AHP42	5,8,10,15,18	21	—	1485	40.0	30.0	13.00	11.00
	AHP/SHP48	5,8,10,15,20	24	—	1400	41.0	30.8	13.50	11.00
	AHP/SHP60	5,8,10,15,20,25	24	—	1400	41.0	30.8	14.00	11.50
H1ZD048S06	AHP/SHP48	5,8,10,15,20	24	—	1675	45.0	33.3	13.00	11.00
	AHP/SHP60	5,8,10,15,20,25	24	—	1600	45.0	33.3	13.75	11.00
H1ZD060S06	AHP/SHP60	5,8,10,15,20,25	24	—	1850	55.0	39.6	13.00	11.00

Rated in accordance with DOE test procedures (Federal Register 12-27-79 and 3-18-88) and ARI Standards 210.

Cooling MBH based on 80°F entering air temperature, 50% RH, and rated air flow.

EER (Energy Efficiency Ratio) is the total cooling output in BTU's at 95°F outdoor ambient divided by the total electric power in watt-hours at those conditions.
SEER (Seasonal Energy Efficiency Ratio) is the total cooling output in BTU's during a normal annual usage period for cooling divided by the total electric power input in watt-hours during the same period.

1. G2FD coils available with a factory installed horizontal drain pan. See price pages for specific model number.
 2. Single phase units require single phase 2HK heaters.
- = Not applicable.

COOLING CAPACITY - Upflow, Downflow & Horizontal Furnaces and Coils

UNIT MODEL	FURNACE**		COIL MODEL	COOLING				
	CFM RANGE (MIN.-MAX.)	W		RATED CFM	NET MBH		SEER ¹	EER
					TOTAL	SENS.		
H1ZD018S06	450 750	14,17	FC/MC/PC/UC18	600	18.0	12.2	13.00	11.00
		14,17	FC/MC/PC/UC24	600	18.0	12.2	13.00	11.00
		14	HC24	600	18.0	12.2	13.00	11.00
H1ZD024S06	600 1000	14,17	FC/MC/PC/UC24	800	23.0	16.8	13.00	11.00
		14,17	FC/MC/PC/UC30	800	23.0	16.8	13.00	11.00
		14,17,21	FC/MC/PC/UC36	800	23.4	17.0	13.00	11.00
		14	HC30	800	23.0	16.8	13.00	11.00
		17	HC36	800	23.4	17.0	13.00	11.00
		—	HD24	800	23.0	16.8	13.00	11.00
H1ZD030S06	800 1200	14,17	FC/MC/PC/UC30	1000	28.6	21.4	13.00	11.00
		14,17,21	FC/MC/PC/UC36	1000	29.0	21.7	13.00	11.00
		14	HC30	1000	28.6	21.4	13.00	11.00
		17	HC36	1000	28.6	21.4	13.00	11.00
		—	HD36	1000	28.6	21.4	13.00	11.00
H1ZD036S06	1000 1400	14,17,21	FC/MC/PC/UC36	1200	35.6	24.2	13.00	11.00
		17	HC36	1200	35.6	24.2	13.00	11.00
		—	HD36	1200	35.6	24.2	13.00	11.00
H1ZD042S06	1200 1600	17,21	FC/MC/PC/UC42	1400	40.0	30.0	13.00	11.00
		21,24	FC/MC/PC/UC48	1400	41.0	30.8	13.00	11.00
		21	HC42	1400	40.0	30.0	13.00	11.00
		—	HD48	1400	41.0	30.8	13.00	11.00
H1ZD048S06	1400 1800	21,24	FC/MC/PC/UC48	1600	45.0	33.3	13.00	11.00
		21	HC42	1600	45.0	33.3	13.00	11.00
		—	HD48	1600	45.0	33.3	13.00	11.00
H1ZD060S06	1600 2000	21,24	FC/MC/PC/UC60	1800	55.0	39.6	13.00	11.00
		24	MC61	1800	55.5	40.0	13.00	11.00
		24	HC60	1800	55.0	39.6	13.00	11.00
		—	HD60	1800	55.0	39.9	13.00	11.00

1. Requires a 2FD06700224 Blower Time Delay unless a standard furnace is equipped with one.

** Refer to Quick Selection Chart for specific furnace match-up.

COOLING CAPACITY - With Variable Speed Furnaces

UNIT MODEL	VARIABLE SPEED FURNACE MODEL	COIL MODEL ¹	W	COOLING				
				RATED CFM	NET MBH		SEER	EER
					TOTAL	SENS.		
1 PH 13 SEER AC WITH VARIABLE SPEED FURNACES²								
H1ZD018S06	PV8*A12	FC/MC/PC18A	14	600	18.0	12.0	14.00	11.50
	PV9*A12	FC/MC/PC18A	14	600	18.0	12.0	14.00	11.50
	P(C,V)9*B12	FC/MC/PC18B	17	600	18.0	12.0	14.00	11.50
	PV8*A12	FC/MC/PC24A	14	600	18.0	12.0	14.00	11.50
	PV9*A12	FC/MC/PC24A	14	600	18.0	12.0	14.00	11.50
	P(C,V)9*B12	FC/MC/PC24B	17	600	18.0	12.0	14.00	11.50
	PV8*A12	HC24	14	600	18.0	12.0	14.00	11.50
	PV9*A12	HC24	14	600	18.0	12.0	14.00	11.50
H1ZD024S06	PV8*A12	FC/MC/PC24A	14	800	23.2	16.7	14.00	11.50
	PV9*A12	FC/MC/PC24A	14	800	23.2	16.7	14.00	11.50
	P(C,V)9*B12	FC/MC/PC24B	17	800	23.2	16.7	14.00	11.50
	PV8*A12	FC/MC/PC30A	14	800	23.2	16.8	14.00	11.50
	PV9*A12	FC/MC/PC30A	14	800	23.2	16.8	14.00	11.50
	P(C,V)9*B12	FC/MC/PC30B	17	800	23.2	16.8	14.00	11.50
	PV8*A12	HC30	14	800	23.6	17.1	14.00	11.50
	PV9*A12	HC30	14	800	23.6	17.0	14.00	11.50
	PV8*A12	HD24	-	800	23.8	17.3	14.00	11.50
PV9*A12	HD24	-	800	23.8	17.3	14.00	11.50	
H1ZD030S06	PV8*A12	FC/MC/PC30A	14	1000	29.0	21.8	13.50	11.00
	PV8*B16	FC/MC/PC30B	17	1000	29.0	21.8	14.00	11.50
	PV9*A12	FC/MC/PC30A	14	1000	29.0	21.8	13.50	11.00
	P(C,V)9*B12	FC/MC/PC30B	17	1000	29.0	21.8	13.50	11.00
	PV8*A12	FC/MC/PC36A	14	1000	29.0	21.8	13.50	11.00
	PV8*B16	FC/MC/PC36B	17	1000	29.0	21.8	14.00	11.50
	PV8*C16	FC/MC/PC36C	21	1000	29.0	21.8	14.00	11.50
	PV8*C20	FC/MC/PC36C	21	1000	29.0	21.8	14.00	11.50
	PV9*A12	FC/MC/PC36A	14	1000	29.0	21.8	13.50	11.00
	P(C,V)9*B12	FC/MC/PC36B	17	1000	29.0	21.8	13.75	11.00
	P(C,V)9*C16	FC/MC/PC36C	21	1000	29.0	21.8	14.00	11.50
	P(C,V)9*C20	FC/MC/PC36C	21	1000	29.0	21.8	14.00	11.50
	PV8*A12	HC30	14	1000	29.0	21.8	14.00	11.50
	PV9*A12	HC30	14	1000	29.0	21.8	14.00	11.50
	PV8*B16	HC36	17	1000	29.0	21.8	14.00	11.50
	P(C,V)9*B12	HC36	17	1000	29.0	21.8	14.00	11.50
	PV8*A12	HD36	-	1000	29.0	21.8	14.00	11.50
	PV8*B16	HD36	-	1000	29.0	21.8	14.00	11.50
	PV8*C16	HD36	-	1000	29.0	21.8	14.00	11.50
	PV8*C20	HD36	-	1000	29.0	21.8	14.00	11.50
PV9*A12	HD36	-	1000	29.0	21.8	14.00	11.50	
P(C,V)9*B12	HD36	-	1000	29.0	21.8	14.00	11.50	
P(C,V)9*C16	HD36	-	1000	29.0	21.8	14.00	11.50	
P(C,V)9*C20	HD36	-	1000	29.0	21.8	14.00	11.50	

For Notes See Page 8.

COOLING CAPACITY - With Variable Speed Furnaces (Continued)

UNIT MODEL	VARIABLE SPEED FURNACE MODEL	COIL MODEL ¹	W	COOLING				
				RATED CFM	NET MBH		SEER	EER
					TOTAL	SENS.		
1 PH 13 SEER AC WITH VARIABLE SPEED FURNACES²								
H1ZD036S06	PV8*A12	FC/MC/PC36A	14	1200	35.8	24.4	13.00	11.00
	PV8*B16	FC/MC/PC36B	17	1200	35.8	24.4	13.75	11.00
	PV8*C16	FC/MC/PC36C	21	1200	35.8	24.4	14.00	11.50
	PV8*C20	FC/MC/PC36C	21	1200	35.8	24.4	14.00	11.50
	PV9*A12	FC/MC/PC36A	14	1200	35.8	24.4	13.00	11.00
	P(C,V)9*B12	FC/MC/PC36B	17	1200	35.8	24.4	13.25	11.00
	P(C,V)9*C16	FC/MC/PC36C	21	1200	35.8	24.4	13.75	11.00
	P(C,V)9*C20	FC/MC/PC36C	21	1200	35.8	24.4	14.00	11.50
	PV8*B16	HC36	17	1200	35.8	24.4	14.00	11.50
	P(C,V)9*B12	HC36	17	1200	35.8	24.4	13.75	11.00
	PV8*A12	HD36	-	1200	35.8	24.4	13.50	11.00
	PV8*B16	HD36	-	1200	35.8	24.4	14.00	11.50
	PV8*C16	HD36	-	1200	35.8	24.4	14.00	11.50
	PV8*C20	HD36	-	1200	35.8	24.4	14.00	11.50
	PV9*A12	HD36	-	1200	35.8	24.4	13.50	11.00
	P(C,V)9*B12	HD36	-	1200	35.8	24.4	14.00	11.50
	P(C,V)9*C16	HD36	-	1200	35.8	24.4	14.00	11.50
	P(C,V)9*C20	HD36	-	1200	35.8	24.4	14.00	11.50
H1ZD042S06	PV8*B16	FC/MC/PC42B	17	1400	40.5	30.5	13.50	11.00
	PV8*C16	FC/MC/PC42C	21	1400	40.5	30.5	13.50	11.00
	PV8*C20	FC/MC/PC42C	21	1400	40.5	30.5	13.50	11.00
	PV8*C16	FC/MC/PC48C	21	1400	41.5	30.8	13.75	11.00
	PV8*C20	FC/MC/PC48C	21	1400	41.5	30.8	14.00	11.50
	P(C,V)9*C16	FC/MC/PC48C	21	1400	41.5	30.8	13.50	11.00
	P(C,V)9*C20	FC/MC/PC48C	21	1400	41.5	30.8	13.75	11.00
	P(C,V)9*D20	FC/MC/PC48D	24	1400	41.5	30.8	13.50	11.00
	PV8*C16	HC42	21	1400	40.5	30.5	13.50	11.00
	PV8*C20	HC42	21	1400	40.5	30.5	13.75	11.00
	P(C,V)9*C16	HC42	21	1400	40.5	30.5	13.50	11.00
	P(C,V)9*C20	HC42	21	1400	40.5	30.5	13.75	11.00
	PV8*C16	HD48	-	1400	40.5	30.5	14.00	11.50
	PV8*C20	HD48	-	1400	40.5	30.5	14.00	11.50
	P(C,V)9*C16	HD48	-	1400	40.5	30.5	13.75	11.00
	P(C,V)9*C20	HD48	-	1400	40.5	30.5	14.00	11.50
	P(C,V)9*D20	HD48	-	1400	40.5	30.5	14.00	11.50

For Notes See Page 8.

COOLING CAPACITY - With Variable Speed Furnaces (Continued)

UNIT MODEL	VARIABLE SPEED FURNACE MODEL	COIL MODEL ¹	W	COOLING				
				RATED CFM	NET MBH		SEER	EER
					TOTAL	SENS.		
1 PH 13 SEER AC WITH VARIABLE SPEED FURNACES²								
H1ZD048S06	PV8*C16	FC/MC/PC48C	21	1500	45.5	33.8	13.00	11.00
	PV8*C20	FC/MC/PC48C	21	1600	45.5	33.8	13.00	11.00
	P(C,V)9*C16	FC/MC/PC48C	21	1600	45.5	33.8	13.00	11.00
	P(C,V)9*C20	FC/MC/PC48C	21	1600	45.5	33.8	13.00	11.00
	P(C,V)9*D20	FC/MC/PC48D	24	1600	45.5	33.8	13.25	11.00
	PV8*C16	HC42	21	1500	45.5	33.8	13.00	11.00
	PV8*C20	HC42	21	1600	45.5	33.8	13.00	11.00
	P(C,V)9*C16	HC42	21	1600	45.5	33.8	13.00	11.00
	P(C,V)9*C20	HC42	21	1600	45.5	33.8	13.00	11.00
	PV8*C16	HD48	-	1500	45.5	33.8	13.25	11.00
	PV8*C20	HD48	-	1600	45.5	33.8	13.50	11.00
	P(C,V)9*C16	HD48	-	1600	45.5	33.8	13.00	11.00
	P(C,V)9*C20	HD48	-	1600	45.5	33.8	13.25	11.00
	P(C,V)9*D20	HD48	-	1600	45.5	33.8	13.50	11.00
H1ZD060S06	PV8*C20	FC/PC60C	21	1730	55.0	39.6	13.00	11.00
	P(C,V)9*C20	FC/PC60C	21	1620	55.0	39.6	13.00	11.00
	P(C,V)9*D20	FC/MC/PC60D	24	1620	55.0	39.6	13.25	11.00
	PV8*C20	MC61	24	1730	55.5	40.0	13.00	11.00
	P(C,V)9*C20	MC61	24	1620	55.5	40.0	13.00	11.00
	P(C,V)9*D20	MC61	24	1620	55.5	40.0	13.25	11.00
	PV8*C20	HC60	24	1730	55.0	39.6	13.00	11.00
	P(C,V)9*D20	HC60	24	1620	55.0	39.6	13.25	11.00
	PV8*C20	HD60	-	1730	55.0	39.6	13.00	11.00
	P(C,V)9*C20	HD60	-	1620	55.0	39.6	13.00	11.00
	P(C,V)9*D20	HD60	-	1620	55.0	39.6	13.25	11.00

1. MC coils available with a factory installed horizontal drain pan. See price pages for specific model number.

2. Variable speed furnaces have B.O.D (Blower on Delay) standard.

ACCESSORIES

Refer to Price Manual for specific model numbers.

HARD START KIT - Provides increased starting torque for areas with low voltage.

COMPRESSOR BLANKET - Designed to further reduce the normal compressor operating sound. Refer to price pages for specific match-ups.

OFF CYCLE TIMER DELAY - Provides a 5-minute off cycle to prevent rapid recycling of the compressor.

ROOM THERMOSTATS - A wide selection of compatible thermostats are available to provide optimum performance and features for any installation.

1H/1C, manual changeover electronic non-programmable thermostat.

1H/1C, auto/manual changeover, electronic programmable, deluxe 7-day, thermostat.

1H/1C, auto/manual changeover, electronic programmable.

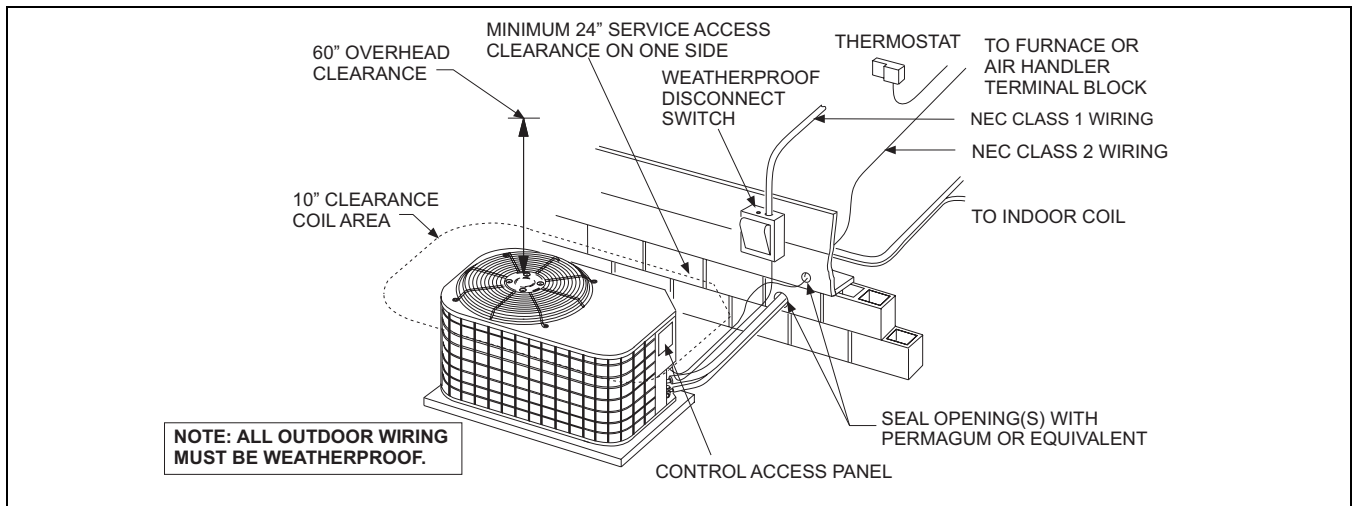
* For the most current accessory information, refer to the price book or consult factory.

SOUND POWER RATINGS*

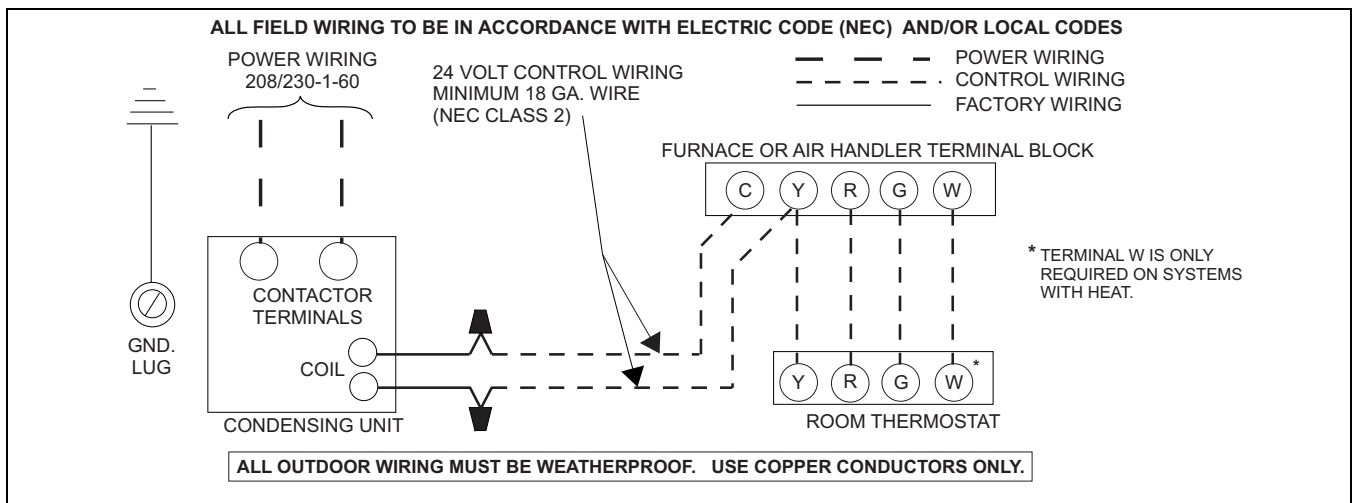
UNIT MODEL	(dBA)
018	74
024	75
030	77
036	76
042	75
048	76
060	76

* Rated in accordance with ARI 270-95 Standards.

TYPICAL INSTALLATION



TYPICAL FIELD WIRING



COOLING PERFORMANCE DATA																
AIR CONDITIONER MODEL NO.		H1ZD018S06														
INDOOR COIL MODEL NO.		FC/MC/PC/UC18														
CONDENSING ENTERING AIR TEMPERATURE	IDCFM	450					600					750				
	ID DB (°F)	80	80	75	80	80	80	80	75	80	80	80	80	75	80	80
	ID WB (°F)	57	62	62	67	72	57	62	62	67	72	57	62	62	67	72
65	T.C.	16.7	20.3	19.6	22.2	23.2	18.9	22.0	20.9	23.0	23.7	21.1	23.8	22.2	23.8	24.1
	S.C.	16.6	15.7	13.2	13.4	10.6	18.8	18.8	15.4	15.2	11.8	21.0	21.8	17.7	17.0	13.1
	KW	1.1	1.1	1.1	1.1	1.1	1.1	1.1	1.1	1.1	1.1	1.1	1.1	1.1	1.1	1.1
75	T.C.	15.9	18.9	18.1	20.7	21.5	18.2	20.7	19.3	21.5	21.8	20.6	22.4	20.5	22.4	22.1
	S.C.	15.6	15.0	12.4	12.8	10.0	17.8	17.7	14.6	14.7	11.2	19.9	20.4	16.8	16.6	12.4
	KW	1.2	1.2	1.2	1.2	1.2	1.2	1.2	1.2	1.2	1.2	1.2	1.2	1.2	1.2	1.2
85	T.C.	15.1	17.5	16.7	19.1	19.8	17.6	19.3	17.8	20.0	20.0	20.1	21.0	18.9	20.9	20.1
	S.C.	14.6	14.2	11.7	12.2	9.4	16.7	16.6	13.8	14.1	10.6	18.8	19.0	15.8	16.1	11.8
	KW	1.2	1.3	1.3	1.3	1.3	1.3	1.3	1.3	1.3	1.3	1.3	1.3	1.3	1.3	1.3
95	T.C.	14.4	16.2	15.2	17.5	18.1	17.0	17.9	16.2	18.4	18.1	19.6	19.6	17.2	19.4	18.1
	S.C.	13.5	13.5	11.0	11.6	8.8	15.6	15.6	12.9	13.6	10.0	17.7	17.6	14.8	15.6	11.1
	KW	1.3	1.3	1.3	1.4	1.4	1.4	1.4	1.4	1.4	1.4	1.4	1.4	1.4	1.4	1.4
105	T.C.	13.3	14.8	13.7	15.9	16.3	15.8	16.4	14.6	16.7	16.2	18.2	18.0	15.5	17.6	16.1
	S.C.	12.7	12.7	10.3	10.8	8.3	14.8	14.4	12.0	12.7	9.4	16.9	16.2	13.8	14.6	10.4
	KW	1.4	1.4	1.4	1.5	1.5	1.4	1.4	1.4	1.5	1.5	1.5	1.5	1.5	1.5	1.5
115	T.C.	12.3	13.5	12.3	14.3	14.5	14.6	15.0	13.1	15.0	14.3	16.9	16.5	13.9	15.8	14.1
	S.C.	12.0	11.9	9.6	10.1	7.8	14.1	13.3	11.2	11.9	8.8	16.1	14.7	12.8	13.7	9.7
	KW	1.5	1.5	1.5	1.5	1.6	1.5	1.5	1.5	1.6	1.6	1.6	1.6	1.5	1.6	1.6
125	T.C.	11.3	12.2	10.9	12.7	12.8	13.4	13.6	11.6	13.4	12.5	15.6	14.9	12.3	14.0	12.1
	S.C.	11.1	11.2	8.8	9.4	7.3	13.1	12.2	10.3	11.1	8.2	15.2	13.3	11.8	12.8	9.1
	KW	1.6	1.6	1.6	1.6	1.7	1.6	1.6	1.6	1.6	1.7	1.7	1.7	1.6	1.7	1.7

NOTE: ALL CAPACITIES INCLUDE INDOOR FAN HEAT AT 1250 BTUH/1000 CFM.

Multipliers for determining the performance with other indoor sections.

NOTE: For dry bulb temperatures different than those listed (between 73-87 F), sensible capacity increases by 1060 BTUH per 1000 CFM per degree above the listed temperature and decreases by 1060 BTUH per 1000 CFM per degree below the listed temperature.

Air Handler	Coil	T.C.	S.C.	KW
MA08B	FC / MC18B	1.00	1.00	1.00
MA08B	FC / MC24B	1.00	1.00	1.00
AHP18	–	1.00	1.00	1.00
AHP24	–	1.00	1.00	1.00
MV12B	FC/MC18B	1.00	1.00	0.96
MV12B	FC/MC24B	1.00	1.00	0.96
AV24	–	1.00	1.00	0.96
–	FC / MC / PC / UC24	1.00	1.00	1.00
–	HC24	1.00	1.00	1.00

Variable Speed Furnace	Coil	T.C.	S.C.	KW
PV8*A12	FC/MC/PC18A	1.00	0.98	0.96
PC9*A12	FC/MC/PC18A	1.00	0.98	0.96
P(C,V)9*B12	FC/MC/PC18B	1.00	0.98	0.96
PV8*A12	FC/MC/PC24A	1.00	0.98	0.96
PC9*A12	FC/MC/PC24A	1.00	0.98	0.96
P(C,V)9*B12	FC/MC/PC24B	1.00	0.98	0.96
PV8*A12	HC24	1.00	0.98	0.96
PC9*A12	HC24	1.00	0.98	0.96

COOLING PERFORMANCE DATA																
AIR CONDITIONER MODEL NO.		H1ZD024S06														
INDOOR COIL MODEL NO.		FC/MC/PC/UC36														
CONDENSING ENTERING AIR TEMPERATURE	IDCFM	600					800					1000				
	ID DB (°F)	80	80	75	80	80	80	80	75	80	80	80	80	75	80	80
	ID WB (°F)	57	62	62	67	72	57	62	62	67	72	57	62	62	67	72
75	T.C.	22.7	26.0	25.5	28.4	29.6	27.8	28.2	27.3	30.4	30.4	32.9	30.5	29.2	32.5	31.2
	S.C.	21.9	20.3	17.1	17.6	13.6	24.6	24.0	20.2	20.6	15.3	27.2	27.6	23.3	23.6	17.0
	KW	1.4	1.4	1.4	1.4	1.4	1.4	1.4	1.4	1.4	1.4	1.4	1.4	1.4	1.4	1.4
85	T.C.	21.2	24.4	23.6	26.4	27.3	25.2	26.4	25.2	28.1	28.2	29.2	28.5	26.9	29.8	29.0
	S.C.	20.6	19.3	16.2	16.7	12.9	23.0	22.7	19.0	19.4	14.7	25.5	26.1	21.9	22.2	16.4
	KW	1.5	1.5	1.5	1.5	1.5	1.5	1.5	1.5	1.5	1.5	1.5	1.5	1.5	1.5	1.5
95	T.C.	19.6	22.7	21.6	24.3	25.1	22.5	24.7	23.1	25.7	26.0	25.5	26.6	24.7	27.1	26.9
	S.C.	19.3	18.4	15.2	15.7	12.1	21.5	21.5	17.8	18.3	14.0	23.7	24.6	20.5	20.9	15.9
	KW	1.6	1.6	1.6	1.7	1.7	1.6	1.6	1.6	1.7	1.7	1.7	1.7	1.6	1.7	1.7
105	T.C.	18.1	21.1	19.7	22.2	22.8	19.9	22.9	21.0	23.4	23.7	21.7	24.7	22.4	24.5	24.7
	S.C.	17.9	17.4	14.3	14.8	11.4	20.0	20.2	16.7	17.1	13.3	22.0	23.1	19.1	19.5	15.3
	KW	1.7	1.7	1.7	1.8	1.8	1.7	1.8	1.7	1.8	1.8	1.8	1.8	1.8	1.8	1.9
115	T.C.	17.4	19.3	18.0	20.4	20.5	19.2	21.1	19.3	21.4	21.0	21.1	23.0	20.6	22.4	21.4
	S.C.	16.7	16.4	13.4	14.0	10.7	18.5	18.7	15.6	16.3	12.4	20.3	21.1	17.9	18.6	14.1
	KW	1.8	1.8	1.8	1.9	2.0	1.9	1.9	1.9	1.9	2.0	1.9	1.9	1.9	1.9	2.0
125	T.C.	16.7	17.7	16.4	18.7	18.3	18.6	19.4	17.6	19.5	18.3	20.5	21.2	18.8	20.4	18.2
	S.C.	15.4	15.4	12.5	13.3	10.0	17.0	17.3	14.6	15.5	11.4	18.6	19.1	16.8	17.7	12.9
	KW	1.9	1.9	1.9	2.0	2.1	2.0	2.0	2.0	2.0	2.1	2.0	2.0	2.0	2.0	2.1

NOTE: ALL CAPACITIES INCLUDE INDOOR FAN HEAT AT 1250 BTUH/1000 CFM.

Multipliers for determining the performance with other indoor sections.

NOTE: For dry bulb temperatures different than those listed (between 73-87 F), sensible capacity increases by 1060 BTUH per 1000 CFM per degree above the listed temperature and decreases by 1060 BTUH per 1000 CFM per degree below the listed temperature.

Air Handler	Coil	T.C.	S.C.	KW
MA08B	FC/MC24B	1.00	1.00	1.00
MA08B	FC/MC30B	1.00	1.00	1.00
MA08B	FC/MC36B	1.02	1.04	1.00
AHP24	–	1.00	1.00	1.00
AHP30	–	1.01	1.01	1.00
MV12B	FC/MC24B	1.02	1.04	0.96
MV12B	FC/MC30B	1.02	1.04	0.96
MV12B	FC/MC36B	1.03	1.06	0.96
AV24	–	1.02	1.04	0.96
–	FC/MC/PC/UC24	1.00	1.00	1.00
–	FC/MC/PC/UC30	1.00	1.00	1.00
–	HC30	1.00	1.00	1.00
–	HC36	1.02	1.01	1.00
–	HD24	1.00	1.00	1.00

Variable Speed Furnace	Coil	T.C.	S.C.	KW
PV8*A12	FC/MC/PC24A	1.01	0.99	0.96
PC9*A12	FC/MC/PC24A	1.01	0.99	0.96
P(C,V)9*B12	FC/MC/PC24B	1.01	0.99	0.96
PV8*A12	FC/MC/PC30A	1.01	1.00	0.96
PC9*A12	FC/MC/PC30A	1.01	1.00	0.96
P(C,V)9*B12	FC/MC/PC30B	1.01	1.00	0.96
PV8*A12	HC30	1.03	1.02	0.96
PC9*A12	HC30	1.03	1.01	0.96
PV8*A12	HD24	1.03	1.03	0.96
PC9*A12	HD24	1.03	1.03	0.96

COOLING PERFORMANCE DATA																
AIR CONDITIONER MODEL NO.		H1ZD030S06														
INDOOR COIL MODEL NO.		FC/MC/PC/UC30														
CONDENSING ENTERING AIR TEMPERATURE	IDCFM	800					1000					1200				
	ID DB (°F)	80	80	75	80	80	80	80	75	80	80	80	80	75	80	80
	ID WB (°F)	57	62	62	67	72	57	62	62	67	72	57	62	62	67	72
65	T.C.	26.3	32.2	31.3	34.3	34.9	30.3	33.4	32.4	35.6	34.7	34.4	34.5	33.6	36.9	34.5
	S.C.	25.9	25.8	21.6	21.4	16.3	28.5	28.4	23.9	24.1	17.7	31.1	30.9	26.1	26.8	19.1
	KW	1.7	1.8	1.8	1.8	1.8	1.7	1.8	1.8	1.8	1.8	1.7	1.8	1.8	1.8	1.8
75	T.C.	25.6	30.0	29.0	32.2	32.4	29.2	31.4	30.1	33.3	32.2	32.7	32.8	31.2	34.5	32.0
	S.C.	24.6	24.5	20.5	20.7	15.6	26.9	27.0	22.7	23.2	17.0	29.3	29.4	24.9	25.8	18.4
	KW	1.9	1.9	1.9	1.9	2.0	1.9	1.9	1.9	1.9	2.0	1.9	1.9	1.9	1.9	2.0
85	T.C.	24.9	27.8	26.7	30.1	29.9	28.0	29.5	27.8	31.1	29.6	31.0	31.1	28.8	32.1	29.4
	S.C.	23.3	23.2	19.4	19.9	15.0	25.4	25.6	21.6	22.4	16.3	27.5	28.0	23.8	24.8	17.7
	KW	2.0	2.1	2.1	2.1	2.1	2.1	2.1	2.1	2.1	2.2	2.1	2.1	2.1	2.1	2.2
95	T.C.	24.3	25.5	24.4	27.9	27.3	26.8	27.5	25.4	28.8	27.1	29.3	29.4	26.5	29.6	26.8
	S.C.	22.0	21.9	18.2	19.2	14.3	23.8	24.2	20.4	21.5	15.6	25.7	26.5	22.6	23.8	16.9
	KW	2.2	2.2	2.2	2.3	2.3	2.2	2.2	2.2	2.3	2.3	2.3	2.3	2.3	2.3	2.4
105	T.C.	21.6	23.6	22.3	25.3	24.3	24.4	25.3	23.1	26.0	23.9	27.2	27.0	23.9	26.7	23.5
	S.C.	20.1	20.4	17.1	17.8	13.3	21.8	22.3	19.0	20.0	14.6	23.4	24.2	20.9	22.1	15.9
	KW	2.3	2.3	2.3	2.4	2.5	2.4	2.4	2.4	2.4	2.5	2.4	2.4	2.4	2.5	2.5
115	T.C.	19.1	21.8	20.3	22.7	21.4	22.1	23.2	20.8	23.2	20.9	25.2	24.6	21.3	23.8	20.4
	S.C.	18.2	18.9	16.0	16.6	12.4	19.8	20.4	17.6	18.5	13.6	21.3	21.9	19.2	20.5	14.9
	KW	2.5	2.5	2.5	2.5	2.7	2.5	2.5	2.5	2.6	2.7	2.6	2.6	2.5	2.6	2.7
125	T.C.	16.5	19.9	18.3	20.1	18.5	19.8	21.1	18.5	20.5	17.8	23.1	22.3	18.8	20.9	17.2
	S.C.	16.4	17.4	14.9	15.3	11.4	17.8	18.5	16.2	17.1	12.6	19.1	19.6	17.6	18.9	13.9
	KW	2.6	2.6	2.6	2.7	2.8	2.7	2.7	2.6	2.7	2.8	2.7	2.7	2.6	2.7	2.9

NOTE: ALL CAPACITIES INCLUDE INDOOR FAN HEAT AT 1250 BTUH/1000 CFM.

Multipliers for determining the performance with other indoor sections.

NOTE: For dry bulb temperatures different than those listed (between 73-87 F), sensible capacity increases by 1060 BTUH per 1000 CFM per degree above the listed temperature and decreases by 1060 BTUH per 1000 CFM per degree below the listed temperature.

Air Handler	Coil	T.C.	S.C.	KW
MA12B	FC/MC30B	1.00	1.00	1.00
MA12B	FC/MC36B	1.01	1.01	1.00
AHP30	–	1.00	1.00	1.00
AHP36	–	1.01	1.01	1.00
MV12B	FC/MC30B	1.01	1.02	0.96
MV12B	FC/MC36B	1.03	1.03	0.96
MV16C	FC/MC36C	1.03	1.04	0.96
AV36	–	1.03	1.04	0.96
–	HC30	1.00	1.00	1.00
–	HC36	1.00	1.00	1.00
–	HD36	1.00	1.00	1.00

Variable Speed Furnace	Coil	T.C.	S.C.	KW
PV8*A12	FC/MC/PC30A	1.01	1.02	1.00
PC9*A12	FC/MC/PC30A	1.01	1.02	1.00
PV8*B16	FC/MC/PC30B	1.01	1.02	0.96
P(C,V)9*B12	FC/MC/PC30B	1.01	1.02	1.00
PV8*A12	FC/MC/PC36A	1.01	1.02	1.00
PC9*A12	FC/MC/PC36A	1.01	1.02	1.00
PV8*B16	FC/MC/PC36B	1.01	1.02	0.96
P(C,V)9*B12	FC/MC/PC36B	1.01	1.02	1.00
PV8*C16	FC/MC/PC36C	1.01	1.02	0.96
PV8*C20	FC/MC/PC36C	1.01	1.02	0.96
P(C,V)9*C16	FC/MC/PC36C	1.01	1.02	0.96
P(C,V)9*C20	FC/MC/PC36C	1.01	1.02	0.96
PV8*A12	HC30	1.01	1.02	0.96
PC9*A12	HC30	1.01	1.02	0.96
PV8*B16	HC36	1.01	1.02	0.96
P(C,V)9*B12	HC36	1.01	1.02	0.96
PV8*A12	HD36	1.01	1.02	0.96
PV8*B16	HD36	1.01	1.02	0.96
PV8*C16	HD36	1.01	1.02	0.96
PV8*C20	HD36	1.01	1.02	0.96
PC9*A12	HD36	1.01	1.02	0.96
P(C,V)9*B12	HD36	1.01	1.02	0.96
P(C,V)9*C16	HD36	1.01	1.02	0.96
P(C,V)9*C20	HD36	1.01	1.02	0.96

COOLING PERFORMANCE DATA																	
AIR CONDITIONER MODEL NO.		H1ZD036S06															
INDOOR COIL MODEL NO.		FC/MC/PC/UC36															
CONDENSING ENTERING AIR TEMPERATURE	IDCFM	1000					1200					1400					
	ID DB (°F)	80	80	75	80	80	80	80	75	80	80	80	80	75	80	80	
	ID WB (°F)	57	62	62	67	72	57	62	62	67	72	57	62	62	67	72	
65	T.C.	34.5	39.8	38.0	42.4	46.0	37.6	41.7	39.5	44.3	47.4	40.6	43.5	40.9	46.2	48.8	
	S.C.	33.5	31.7	26.2	26.2	20.6	35.5	34.6	28.3	28.5	22.3	37.5	37.5	30.5	30.9	24.0	
	KW	2.2	2.2	2.2	2.2	2.2	2.2	2.2	2.2	2.2	2.2	2.2	2.2	2.2	2.2	2.2	
75	T.C.	33.6	37.6	35.7	40.0	43.1	36.4	39.4	37.0	41.7	44.4	39.1	41.2	38.4	43.3	45.8	
	S.C.	31.8	30.3	25.0	25.1	19.5	33.7	33.1	27.0	27.3	21.2	35.6	35.8	29.1	29.6	22.8	
	KW	2.3	2.4	2.4	2.4	2.4	2.4	2.4	2.4	2.4	2.4	2.4	2.4	2.4	2.4	2.4	
85	T.C.	32.8	35.3	33.4	37.6	40.2	35.2	37.1	34.6	39.0	41.4	37.6	38.8	35.8	40.4	42.7	
	S.C.	30.1	29.0	23.8	24.0	18.5	31.9	31.5	25.7	26.1	20.0	33.6	34.1	27.7	28.3	21.6	
	KW	2.5	2.5	2.5	2.6	2.6	2.5	2.6	2.6	2.6	2.6	2.6	2.6	2.6	2.6	2.7	
95	T.C.	31.9	33.1	31.0	35.3	37.3	34.0	34.8	32.2	36.4	38.5	36.2	36.5	33.3	37.6	39.6	
	S.C.	28.4	27.7	22.6	23.0	17.4	30.0	30.0	24.4	24.9	18.9	31.6	32.3	26.3	26.9	20.4	
	KW	2.7	2.7	2.7	2.8	2.8	2.7	2.7	2.7	2.8	2.9	2.8	2.8	2.8	2.8	2.9	
105	T.C.	30.3	31.0	28.7	32.8	34.4	32.1	32.6	29.7	33.9	35.4	34.0	34.1	30.8	34.9	36.4	
	S.C.	26.8	26.4	21.4	21.9	16.5	28.2	28.2	23.3	23.9	17.8	29.6	30.1	25.2	25.8	19.1	
	KW	2.9	2.9	2.9	3.0	3.1	2.9	2.9	2.9	3.0	3.1	3.0	3.0	2.9	3.0	3.1	
115	T.C.	28.7	28.9	26.4	30.4	31.6	30.3	30.4	27.4	31.4	32.5	31.9	31.8	28.4	32.3	33.3	
	S.C.	25.3	25.1	20.4	20.9	15.7	26.4	26.5	22.2	22.8	16.8	27.6	27.9	24.0	24.7	17.9	
	KW	3.1	3.1	3.1	3.2	3.3	3.1	3.1	3.1	3.2	3.3	3.2	3.2	3.1	3.2	3.3	
125	T.C.	27.1	26.9	24.1	28.0	28.8	28.5	28.2	25.1	28.9	29.5	29.9	29.6	26.0	29.8	30.2	
	S.C.	23.7	23.9	19.3	19.9	14.8	24.7	24.8	21.1	21.7	15.7	25.6	25.7	22.9	23.5	16.7	
	KW	3.3	3.3	3.2	3.4	3.5	3.3	3.3	3.3	3.4	3.5	3.4	3.4	3.3	3.4	3.5	

NOTE: ALL CAPACITIES INCLUDE INDOOR FAN HEAT AT 1250 BTUH/1000 CFM.

Multipliers for determining the performance with other indoor sections.

NOTE: For dry bulb temperatures different than those listed (between 73-87 F), sensible capacity increases by 1060 BTUH per 1000 CFM per degree above the listed temperature and decreases by 1060 BTUH per 1000 CFM per degree below the listed temperature.

Air Handler	Coil	T.C.	S.C.	KW
MA12B	FC/MC36B	1.00	1.00	1.00
AHP36	-	0.99	1.00	1.00
AHP42	-	1.00	1.01	1.00
AHP/SHP60	-	1.01	1.02	0.96
MV12B	FC/MC36B	1.01	1.01	1.00
MV16C	FC/MC36C	1.01	1.02	0.96
AV36	-	1.01	1.01	1.00
-	HC36	1.00	1.00	1.00
-	HD36	1.00	1.00	1.00

Variable Speed Furnace *	Coil	T.C.	S.C.	KW
PV8*A12	FC/MC/PC36A	1.01	1.01	1.00
PC9*A12	FC/MC/PC36A	1.01	1.01	1.00
PV8*B16	FC/MC/PC36B	1.01	1.01	1.00
P(C,V)9*B12	FC/MC/PC36B	1.01	1.01	1.00
PV8*C16	FC/MC/PC36C	1.01	1.01	0.96
PV8*C20	FC/MC/PC36C	1.01	1.01	0.96
P(C,V)9*C16	FC/MC/PC36C	1.01	1.01	1.00
P(C,V)9*C20	FC/MC/PC36C	1.01	1.01	0.96
PV8*B16	HC36	1.01	1.01	0.96
P(C,V)9*B12	HC36	1.01	1.01	1.00
PV8*A12	HD36	1.01	1.01	1.00
PV8*B16	HD36	1.01	1.01	0.96
PV8*C16	HD36	1.01	1.01	0.96
PV8*C20	HD36	1.01	1.01	0.96
PC9*A12	HD36	1.01	1.01	1.00
P(C,V)9*B12	HD36	1.01	1.01	0.96
P(C,V)9*C16	HD36	1.01	1.01	0.96
P(C,V)9*C20	HD36	1.01	1.01	0.96

COOLING PERFORMANCE DATA																	
AIR CONDITIONER MODEL NO.		H1ZD042S06															
INDOOR COIL MODEL NO.		FC/MC/PC/UC48															
CONDENSING ENTERING AIR TEMPERATURE	IDCFM	1200					1400					1600					
	ID DB (°F)	80	80	75	80	80	80	80	75	80	80	80	80	75	80	80	
	ID WB (°F)	57	62	62	67	72	57	62	62	67	72	57	62	62	67	72	
65	T.C.	38.2	43.3	42.3	47.3	47.9	40.2	45.3	43.7	48.3	48.4	42.2	47.4	45.2	49.2	49.0	
	S.C.	37.7	35.5	29.9	30.7	23.8	39.9	38.7	32.2	32.8	25.4	42.1	42.0	34.5	34.9	26.9	
	KW	2.2	2.2	2.2	2.2	2.2	2.2	2.2	2.2	2.2	2.2	2.2	2.2	2.2	2.2	2.2	
75	T.C.	37.0	42.5	40.8	45.1	45.1	38.8	44.2	42.1	46.0	45.6	40.7	45.9	43.3	46.9	46.0	
	S.C.	36.4	35.1	29.3	29.8	22.8	38.6	38.0	31.5	31.9	24.2	40.7	40.9	33.7	33.9	25.7	
	KW	2.5	2.5	2.5	2.5	2.6	2.5	2.5	2.5	2.5	2.6	2.5	2.5	2.5	2.5	2.6	
85	T.C.	35.7	41.7	39.3	42.8	42.4	37.5	43.1	40.4	43.7	42.7	39.3	44.4	41.4	44.5	43.1	
	S.C.	35.2	34.8	28.7	28.8	21.7	37.2	37.3	30.9	30.9	23.0	39.2	39.8	33.0	33.0	24.4	
	KW	2.8	2.8	2.8	2.9	2.9	2.8	2.8	2.8	2.9	2.9	2.8	2.9	2.8	2.9	2.9	
95	T.C.	34.5	40.9	37.8	40.6	39.7	36.2	41.9	38.7	41.4	39.9	37.8	43.0	39.5	42.1	40.1	
	S.C.	34.0	34.4	28.1	27.9	20.6	35.9	36.5	30.2	30.0	21.9	37.8	38.6	32.3	32.1	23.1	
	KW	3.2	3.1	3.2	3.2	3.2	3.2	3.2	3.2	3.2	3.2	3.2	3.2	3.2	3.2	3.2	
105	T.C.	32.6	38.5	35.4	38.1	37.0	34.3	39.6	36.2	38.8	36.8	35.9	40.7	37.0	39.5	36.5	
	S.C.	32.2	32.2	27.0	26.8	19.8	33.9	34.5	28.9	28.9	20.9	35.7	36.8	30.9	30.9	21.9	
	KW	3.7	3.6	3.7	3.7	3.7	3.7	3.6	3.7	3.7	3.7	3.6	3.7	3.6	3.7	3.7	
115	T.C.	30.9	36.2	33.0	35.6	34.4	32.4	37.4	33.7	36.3	33.7	34.0	38.6	34.5	37.0	33.0	
	S.C.	30.4	30.1	25.8	25.8	18.9	32.0	32.6	27.7	27.8	19.9	33.7	35.0	29.6	29.8	20.8	
	KW	4.1	4.1	4.1	4.1	4.1	4.1	4.1	4.1	4.1	4.1	4.1	4.1	4.1	4.1	4.1	
125	T.C.	29.1	33.9	30.6	33.1	31.7	30.6	35.2	31.3	33.8	30.6	32.2	36.4	32.0	34.4	29.5	
	S.C.	28.6	28.0	24.7	24.7	18.1	30.1	30.6	26.5	26.7	18.9	31.6	33.2	28.3	28.7	19.7	
	KW	4.6	4.6	4.6	4.6	4.6	4.6	4.6	4.6	4.6	4.6	4.6	4.6	4.6	4.6	4.6	

NOTE: ALL CAPACITIES INCLUDE INDOOR FAN HEAT AT 1250 BTUH/1000 CFM.

Multipliers for determining the performance with other indoor sections.

NOTE: For dry bulb temperatures different than those listed (between 73-87 F), sensible capacity increases by 1060 BTUH per 1000 CFM per degree above the listed temperature and decreases by 1060 BTUH per 1000 CFM per degree below the listed temperature.

Air Handler	Coil	T.C.	S.C.	KW
MA16C	FC/MC42C	0.98	0.97	1.00
MA16C	FC/MC48C	1.00	1.00	1.00
MA14D	FC/MC48D	1.00	1.00	1.00
AHP42	–	0.98	0.97	1.00
AHP/SHP48	–	1.00	1.00	1.00
AHP/SHP60	–	1.00	1.00	0.96
MV16C	FC/MC42C	0.99	0.99	1.00
MV16C	FC/MC48C	1.01	1.00	0.96
MV20D	FC/MC48D	1.01	1.00	0.96
AV/SV48	–	1.01	1.00	0.96
AV/SV60	–	1.01	1.00	0.96
–	FC/MC/PC/UC42	0.98	0.97	1.00
–	HC42	0.98	0.97	1.00
–	HD48	1.00	1.00	1.00

Variable Speed Furnace	Coil	T.C.	S.C.	KW
PV8*B16	FC/MC/PC42B	0.99	0.99	1.00
PV8*C16	FC/MC/PC42C	0.99	0.99	1.00
PV8*C20	FC/MC/PC42C	0.99	0.99	1.00
PV8*C16	FC/MC/PC48C	1.01	1.00	1.00
PV8*C20	FC/MC/PC48C	1.01	1.00	0.96
P(C,V)9*C16	FC/MC/PC48C	1.01	1.00	1.00
P(C,V)9*C20	FC/MC/PC48C	1.01	1.00	1.00
P(C,V)9*D20	FC/MC/PC48D	1.01	1.00	1.00
PV8*C16	HC42	0.99	0.99	1.00
PV8*C20	HC42	0.99	0.99	1.00
P(C,V)9*C16	HC42	0.99	0.99	1.00
P(C,V)9*C20	HC42	0.99	0.99	1.00
PV8*C16	HD48	0.99	0.99	0.96
PV8*C20	HD48	0.99	0.99	0.96
P(C,V)9*C16	HD48	0.99	0.99	1.00
P(C,V)9*C20	HD48	0.99	0.99	0.96
P(C,V)9*D20	HD48	0.99	0.99	0.96

COOLING PERFORMANCE DATA																
AIR CONDITIONER MODEL NO.		H1ZD048S06														
INDOOR COIL MODEL NO.		FC/MC/PC/UC48														
CONDENSING ENTERING AIR TEMPERATURE	IDCFM	1400					1600					1800				
	ID DB (°F)	80	80	75	80	80	80	80	75	80	80	80	80	75	80	80
	ID WB (°F)	57	62	62	67	72	57	62	62	67	72	57	62	62	67	72
65	T.C.	43.0	46.3	45.9	51.0	56.3	44.8	46.6	46.9	51.7	56.8	46.5	47.0	47.9	52.4	57.3
	S.C.	42.4	38.5	33.2	33.2	26.3	44.1	41.5	35.4	35.3	27.5	45.9	44.5	37.7	37.5	28.7
	KW	2.3	2.3	2.3	2.3	2.3	2.3	2.3	2.3	2.3	2.3	2.3	2.3	2.3	2.3	2.3
75	T.C.	41.4	43.8	43.8	48.6	53.6	43.0	44.4	44.6	49.2	54.1	44.6	45.1	45.5	49.8	54.6
	S.C.	40.8	38.1	32.3	32.3	25.4	42.4	40.6	34.5	34.4	26.6	43.9	43.1	36.6	36.5	27.7
	KW	2.6	2.6	2.6	2.7	2.7	2.6	2.7	2.6	2.7	2.7	2.7	2.7	2.7	2.7	2.7
85	T.C.	39.8	41.3	41.7	46.1	50.8	41.2	42.2	42.4	46.6	51.3	42.6	43.1	43.0	47.2	51.8
	S.C.	39.2	37.7	31.4	31.3	24.4	40.6	39.7	33.5	33.4	25.6	42.0	41.8	35.6	35.4	26.8
	KW	3.0	3.0	3.0	3.0	3.0	3.0	3.0	3.0	3.0	3.0	3.0	3.0	3.0	3.0	3.0
95	T.C.	38.1	38.9	39.7	43.7	48.1	39.4	40.0	40.1	44.1	48.5	40.7	41.2	40.5	44.5	49.0
	S.C.	37.5	37.3	30.5	30.4	23.5	38.8	38.8	32.5	32.4	24.7	40.1	40.4	34.5	34.4	25.9
	KW	3.3	3.3	3.3	3.3	3.3	3.3	3.3	3.3	3.3	3.3	3.3	3.3	3.3	3.3	3.3
105	T.C.	36.1	36.5	37.1	40.9	45.1	37.3	37.6	37.5	41.3	45.5	38.4	38.8	37.9	41.7	45.8
	S.C.	35.6	35.3	29.3	29.3	22.5	36.7	36.8	31.3	31.2	23.7	37.8	38.4	33.2	33.2	24.8
	KW	3.8	3.8	3.8	3.8	3.8	3.8	3.8	3.8	3.8	3.8	3.8	3.8	3.8	3.8	3.8
115	T.C.	34.2	34.2	34.7	38.3	42.2	35.2	35.3	35.0	38.6	42.5	36.2	36.5	35.4	38.9	42.8
	S.C.	33.6	33.3	28.2	28.2	21.5	34.6	34.9	30.1	30.1	22.7	35.6	36.5	32.0	32.0	23.8
	KW	4.2	4.4	4.2	4.2	4.2	4.2	4.3	4.2	4.2	4.2	4.2	4.2	4.2	4.2	4.2
125	T.C.	32.3	31.8	32.3	35.7	39.3	33.1	33.0	32.6	35.9	39.5	34.0	34.1	32.9	36.1	39.7
	S.C.	31.7	31.3	27.0	27.1	20.5	32.6	33.0	28.9	28.9	21.6	33.4	34.6	30.7	30.8	22.8
	KW	4.7	4.9	4.7	4.7	4.7	4.7	4.8	4.7	4.7	4.7	4.7	4.7	4.6	4.7	4.7

NOTE: ALL CAPACITIES INCLUDE INDOOR FAN HEAT AT 1250 BTUH/1000 CFM.

Multipliers for determining the performance with other indoor sections.

NOTE: For dry bulb temperatures different than those listed (between 73-87 F), sensible capacity increases by 1060 BTUH per 1000 CFM per degree above the listed temperature and decreases by 1060 BTUH per 1000 CFM per degree below the listed temperature.

Air Handler	Coil	T.C.	S.C.	KW
MA16C	FC/MC48C	1.00	1.00	1.00
MA20D	FC/MC48D	1.00	1.00	1.00
AHP/SHP48	–	1.00	1.00	1.00
AHP/SHP60	–	1.00	1.00	1.00
MV16C	FC/MC48C	1.01	1.02	1.00
MV20D	FC/MC48D	1.01	1.02	1.00
AV/SV48	–	1.01	1.02	1.00
AV/SV60	–	1.01	1.02	1.00
–	HC42	1.00	1.00	1.00
–	HD48	1.00	1.00	1.00

Variable Speed Furnace *	Coil	T.C.	S.C.	KW
PV8*C16	FC/MC/PC48C	1.01	1.02	1.00
PV8*C20	FC/MC/PC48C	1.01	1.02	1.00
P(C,V)9*C16	FC/MC/PC48C	1.01	1.02	1.00
P(C,V)9*C20	FC/MC/PC48C	1.01	1.02	1.00
P(C,V)9*D20	FC/MC/PC48D	1.01	1.02	1.00
PV8*C16	HC42	1.01	1.02	1.00
PV8*C20	HC42	1.01	1.02	1.00
P(C,V)9*C16	HC42	1.01	1.02	1.00
P(C,V)9*C20	HC42	1.01	1.02	1.00
PV8*C16	HD48	1.01	1.02	1.00
PV8*C20	HD48	1.01	1.02	1.00
P(C,V)9*C16	HD48	1.01	1.02	1.00
P(C,V)9*C20	HD48	1.01	1.02	1.00
P(C,V)9*D20	HD48	1.01	1.02	1.00

COOLING PERFORMANCE DATA

AIR CONDITIONER MODEL NO.		H1ZD060S06														
INDOOR COIL MODEL NO.		FC/MC/PC/UC60														
CONDENSING ENTERING AIR TEMPERATURE	IDCFM	1500					1750					2000				
	ID DB (°F)	80	80	75	80	80	80	80	75	80	80	80	80	75	80	80
	ID WB (°F)	57	62	62	67	72	57	62	62	67	72	57	62	62	67	72
65	T.C.	53.4	58.9	56.5	62.5	66.2	57.4	60.9	58.1	64.2	67.4	61.3	63.0	59.7	65.9	68.6
	S.C.	50.8	48.7	39.7	39.7	31.6	53.1	52.2	42.5	42.8	32.7	55.4	55.6	45.2	46.0	33.8
	KW	3.1	3.1	3.1	3.2	3.2	3.1	3.1	3.1	3.2	3.2	3.1	3.1	3.1	3.1	3.2
75	T.C.	52.2	56.3	53.9	59.6	62.8	55.7	58.4	55.5	61.3	63.9	59.2	60.4	57.0	62.9	65.1
	S.C.	48.8	47.3	38.6	38.5	30.0	51.0	50.5	41.4	41.6	31.3	53.2	53.7	44.2	44.6	32.5
	KW	3.5	3.5	3.5	3.6	3.6	3.6	3.6	3.5	3.6	3.6	3.6	3.6	3.6	3.6	3.6
85	T.C.	51.1	53.8	51.3	56.8	59.4	54.1	55.8	52.8	58.3	60.5	57.1	57.8	54.3	59.8	61.6
	S.C.	46.9	46.0	37.5	37.3	28.5	48.9	48.9	40.4	40.3	29.9	50.9	51.8	43.3	43.2	31.3
	KW	4.0	4.0	4.0	4.0	4.1	4.0	4.0	4.0	4.0	4.1	4.0	4.0	4.0	4.0	4.1
95	T.C.	49.9	51.2	48.7	53.9	55.9	52.5	53.2	50.2	55.3	57.0	55.0	55.2	51.6	56.7	58.1
	S.C.	44.9	44.6	36.4	36.2	26.9	46.8	47.3	39.3	39.0	28.4	48.6	50.0	42.3	41.8	30.0
	KW	4.4	4.4	4.4	4.4	4.5	4.4	4.4	4.4	4.5	4.5	4.4	4.5	4.4	4.5	4.5
105	T.C.	47.7	48.2	45.3	50.4	52.2	49.9	50.1	46.7	51.9	53.1	52.1	52.0	48.1	53.5	54.1
	S.C.	42.5	42.4	34.8	34.5	25.6	44.1	44.6	37.6	37.5	27.2	45.8	46.9	40.3	40.5	28.7
	KW	5.1	5.0	5.1	5.1	5.1	5.1	5.1	5.1	5.1	5.1	5.1	5.1	5.1	5.1	5.2
115	T.C.	45.5	45.3	42.0	47.1	48.6	47.4	47.1	43.3	48.7	49.4	49.2	48.8	44.7	50.3	50.2
	S.C.	40.2	40.2	33.3	33.0	24.4	41.6	42.1	35.8	36.0	26.0	43.0	43.9	38.4	39.1	27.5
	KW	5.7	5.6	5.6	5.7	5.7	5.7	5.7	5.7	5.7	5.7	5.7	5.7	5.7	5.7	5.8
125	T.C.	43.4	42.4	38.7	43.7	44.9	44.9	44.0	40.0	45.4	45.6	46.4	45.6	41.3	47.1	46.4
	S.C.	37.9	38.0	31.8	31.4	23.2	39.1	39.5	34.1	34.6	24.7	40.2	41.0	36.4	37.8	26.2
	KW	6.2	6.2	6.2	6.3	6.3	6.3	6.3	6.2	6.3	6.3	6.3	6.3	6.3	6.3	6.3

NOTE: ALL CAPACITIES INCLUDE INDOOR FAN HEAT AT 1250 BTUH/1000 CFM.

Multipliers for determining the performance with other indoor sections.

NOTE: For dry bulb temperatures different than those listed (between 73-87 F), sensible capacity increases by 1060 BTUH per 1000 CFM per degree above the listed temperature and decreases by 1060 BTUH per 1000 CFM per degree below the listed temperature.

Air Handler	Coil	T.C.	S.C.	KW
MA20D	FC/MC60D	1.00	1.00	1.00
MA20D	MC61D	1.01	1.01	1.00
AHP/SHP60	-	1.00	1.00	1.00
MV20D	FC/MC60D	1.00	1.00	1.00
MV20D	MC61D	1.01	1.01	1.00
AV/SV60	-	1.00	1.00	1.00
-	HC60	1.00	1.00	1.00
-	HD60	1.00	1.01	1.00
-	MC61	1.01	1.01	1.00

Variable Speed Furnace*	Coil	T.C.	S.C.	KW
P(C,V)9*D20	FC/MC/PC60D	1.00	1.00	1.00
PV8*C20	FC/PC60C	1.00	1.00	1.00
P(C,V)9*C20	FC/PC60C	1.00	1.00	1.00
PV8*C20	HC60	1.00	1.00	1.00
P(C,V)9*D20	HC60	1.00	1.00	1.00
PV8*C20	HD60	1.00	1.00	1.00
P(C,V)9*C20	HD60	1.00	1.00	1.00
P(C,V)9*D20	HD60	1.00	1.00	1.00
PV8*C20	MC61	1.01	1.01	1.00
P(C,V)9*C20	MC61	1.01	1.01	1.00
P(C,V)9*D20	MC61	1.01	1.01	1.00

Subject to change without notice. Printed in U.S.A.
Copyright © by York International Corp. 2007. All rights reserved.

258146-YTG-C-0507
Supersedes: 258146-YTG-B-0906

**Unitary
Products
Group**

**5005
York
Drive**

**Norman
OK
73069**