

## GAS-FIRED FURNACES

**UPFLOW / HORIZONTAL**  
**10.000 - 30.000 Kcal/h OUTPUT**  
**80 AFUE**  
**50 HZ 220 VOLTS**



INSTITUTO DEL GAS ARGENTINO



**MODELOS: P6UH - UPFLOW / HORIZONTAL**

### DESCRIPTION

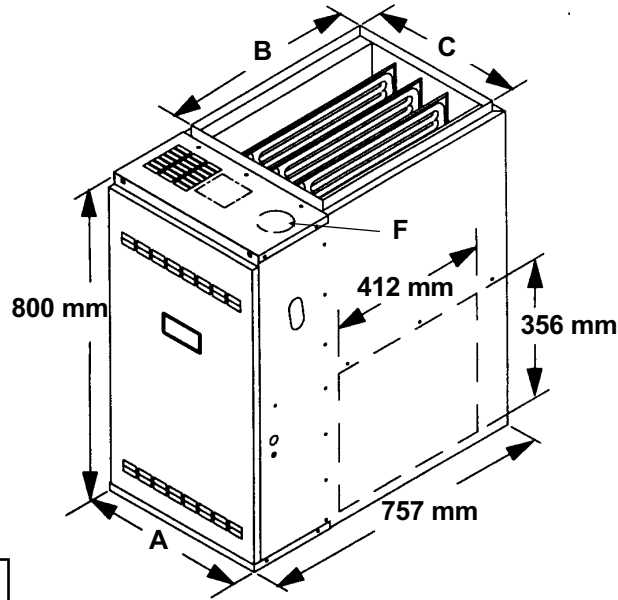
These compact units (31--1/2" [800 mm] high) employ induced combustion, reliable electronic ignition and high heat transfer heat exchangers. The units are factory shipped as upflow/horizontal.

These furnaces are designed for residential installation in a basement, closet, alcove, attic, recreation room or garage and are ideal for commercial applications. All units are factory assembled, wired and tested to assure safe dependable and economical installation and operation.

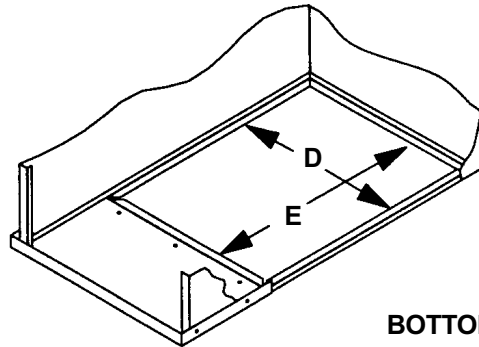
### FEATURES

- Units may be directly applied in upflow or horizontal installation with no conversion necessary.
- 100% shut off main gas valve for added safety
- Rollout safety control
- Low unit amp requirement for easy application
- High quality inducer motor for quiet operation
- 40 VA control transformer
- Easy to connect power and control wiring
- Efficiency ratings of 80 AFUE
- Cooling blower relay supplied for easy installation of add--on cooling
- Multi--speed PSC, direct--drive blower motors to match cooling requirements
- Adjustable fan--off settings to eliminate "cold--blow"
- Compact 31--1/2--in (800 mm) height allows installation in small space confines
- All models are propane convertible using parts provided
- Prepainted exterior provides attractive, durable finish

**DIMENSIONS**



All dimensions are in mm and are approximate.



**BOTTOM VIEW**

Model	A	B	C	D	E	F (Vent)
P6UHB12N04078	445	508	406	384	483	76
P6UHB12N06078	445	508	406	384	483	102 <sup>1</sup>
P6UHC16N08078	533	508	495	473	483	102 <sup>1</sup>
P6UHD20N10078	622	508	584	562	483	127 <sup>1</sup>
P6UHD20N12078	622	508	584	562	483	127 <sup>1</sup>

**NOTES:** 1. All models are supplied with 3" (76 mm) vent connections. An installer supplied transition to 4" (102 mm) or 5" (125 mm) must be used where necessary.  
 Dimensions "B" & "C" are with duct flanges turned up. "D" & "E" are with flanges flat.

**RATINGS & PHYSICAL / ELECTRICAL DATA**

MODEL	HEAT INPUT Kcal/h	HEAT OUTPUT kcal/h	AIR TEMP. RISE ° C	MAX. OUTLET TEMP ° C	BLOWER		TOTAL UNIT AMP.	MAX. OVER-CURRENT BREAKER AMP.	MINIMUM WIRE SIZE mm <sup>2</sup>
					HP	SIZE			
P6UHB12N04078	12.630	10.100	16-33	70	1/3	10 x 8	2.6	15	25
P6UHB12N06078	18.940	15.150	19-36	74	1/3	10 x 8	3.2	15	25
P6UHC16N08078	25.250	20.200	22-39	77	1/2	10 x 10	3.8	15	25
P6UHD20N10078	31.565	25.250	22-39	77	3/4	(2) 10 x 6	4.3	15	25
P6UHD20N12078	37.880	30.300	22-39	77	3/4	(2) 10 x 6	6.0	15	25

**NOTES:** . For altitudes above 600 meters, reduce capacity 4% for each 300 meters above sea level..  
 Wire size based on copper conductors, 50° C, 3% voltage drop  
 Continuous return air temperature must not be below 13° C.

**BLOWER PERFORMANCE****UPFLOW, SINGLE SIDE RETURN APPLICATIONS**

MODEL	SPEED TAP	EXTERNAL STATIC PRESSURE (mm c.a.)							
		2.5	5.0	7.6	10.0	12.7	15.2	17.8	20.3
P6UHB12N04078 P6UHB12N06078	LOW	487	471	455	440	421	404	382	363
	MED	815	562	552	531	516	500	479	458
	HIGH	670	659	638	627	611	593	570	546
P6UHC16N08078	LOW	514	495	481	458	436	410	388	367
	MED-LOW	607	589	572	550	527	507	483	436
	MED-HIGH	707	688	673	655	632	607	580	581
	HIGH	797	784	757	749	727	698	673	650
P6UHD20N10078 P6UHD20N10278	LOW	613	591	570	555	534	507	481	439
	MED-LOW	681	655	641	613	587	562	538	510
	MED-HIGH	814	787	765	734	720	688	658	630
	HIGH	988	955	930	907	875	850	813	779

Airflow is expressed in standard liters/second  
Motor voltage at 220V

**UPFLOW, BOTTOM OR TWO SIDES RETURN, & HORIZONTAL END RETURN APPLICATIONS**

MODEL	SPEED TAP	EXTERNAL STATIC PRESSURE (mm c.a.)							
		2.5	5.0	7.6	10.0	12.7	15.2	17.8	20.3
P6UHB12N04078 P6UHB12N06078	LOW	495	479	462	447	426	405	383	362
	MED	584	566	546	536	516	494	472	449
	HIGH	686	664	645	629	612	589	572	541
P6UHC16N08078	LOW	536	523	502	480	459	435	410	378
	MED-LOW	618	603	590	568	548	523	500	467
	MED-HIGH	727	715	694	675	654	629	605	573
	HIGH	835	820	795	775	749	726	695	655
P6UHD20N10078 P6UHD20N12078	LOW	686	652	630	605	574	544	516	484
	MED-LOW	861	732	709	682	657	629	600	567
	MED-HIGH	890	862	849	817	799	763	724	694
	HIGH	1092	1058	1028	1006	973	937	905	873

Airflow is expressed in standard liters/second  
Motor voltage at 220V

**FILTER SIZE / ADD-ON COOLING**

MODELO	FILTER SIZE		ADD-ON COOLING		APPROX. OPER. WT. (Kg)
	SIDE <sup>1</sup>	BOTTOM	TONS	l/s @ 12.7 mmc.a. <sup>2</sup>	
P6UHB12N04078	25 x 16	24 x 15	2, 2.5, 3	565	50
P6UHB12N06078	25 x 16	24 x 15	2, 2.5, 3	565	55
P6UHC16N08078	25 x 16	24 x 18	2.5, 3, 3.5, 4	755	60
P6UHD20N10078	(2) 25 x 16	24 x 21	3, 3.5, 4, 5	945	70
P6UHD20N12078	(2) 25 x 16	24 x 21	3, 3.5, 4, 5	945	70

<sup>1</sup> All filters must be external to the cabinet.

<sup>2</sup> External static pressure at 12.7 mm c.a. is at furnace outlet ahead of cooling coil.

NOTES: Filters must be field supplied.

High velocity type must be used.

Air flows above 755 l/s require either return from two sides or bottom.



Heating and Air Conditioning

Unitary Products Group  
P.O. Box 1592, York, Pennsylvania USA 17405-1592  
Subject to change without notice. Printed in U.S.A.  
Copyright © by York International Corporation 1997. All Rights Reserved.



© 1997 USOC  
Proud Sponsor  
of the 2000  
U.S. Olympic Team

650.66-TG1YI  
Supersedes: Nothing