

# INSTALLATION MANUAL

## SINGLE PIECE VARIABLE SPEED AIR HANDLERS

MODELS: AV\*(C) SERIES



### LIST OF SECTIONS

GENERAL .....	1	LINE POWER CONNECTIONS .....	11
SAFETY .....	1	AIRFLOW AND COMFORT SETTING SELECTION .....	12
UNIT INSTALLATION .....	2	UNIT DATA .....	12
ELECTRIC HEATER INSTALLATION .....	7	MAINTENANCE .....	17
LOW VOLTAGE CONTROL CONNECTIONS .....	7	WIRING DIAGRAM .....	18
REQUIRED CONTROL SET-UP .....	10		

### LIST OF FIGURES

Typical Installation .....	3	TXV .....	6
Return Duct Attachment & Component Location .....	3	Proper Bulb Location .....	6
Dimensions & Duct Connection Dimensions .....	4	Air Handler Control Board – Communications Connections .....	7
Condensate Deflector on Vertical Drain Pan .....	4	Cooling Models with and without Electric Heat Wiring .....	8
Condensate Deflector on Horizontal Drain Pan Edge .....	5	Two-Stage Heat Pump Wiring .....	9
S-Clip Installation .....	5	Air Handler with Communicating AC or HP .....	9
Duck Work Transition .....	5	Line Power Connections .....	11
Typical Horizontal Installation .....	6	Wiring Diagram .....	18

### LIST OF TABLES

Dimensions .....	4	Electrical Data - (For Single Source Power Supply) - Copper Wire - 208/230-1-60 .....	14
Low Voltage Connections .....	8	Electrical Data - (For Multi-Source Power Supply) - Copper Wire - 208/230-1-60 .....	14
Low Voltage Connections .....	10	Electrical Data - 208/230-3-60 .....	15
Fault Codes .....	10	Electrical Data - (For Single Source Power Supply) - Copper Wire - 208/230-3-60 .....	15
Heat Relays .....	11	Electrical Data - (For Multi-Source Power Supply) - Copper Wire - 208/230-3-60 .....	15
Comfort Setting Selection .....	12	Air Handler Air Flow Data .....	16
Physical and Electrical Data - Cooling Only (60 Hz) .....	12		
Electrical Data - Cooling Only (60 Hz) .....	13		
Conversion Table .....	13		
Electrical Data - 208/230-1-60 .....	13		

## SECTION I: GENERAL

The AV single piece air handler provides the flexibility for installation in any upflow, downflow, or horizontal application.

These versatile models may be used for cooling or heat pump operation with or without electric heat.

A BRAND LABEL (available from Distribution) may be applied to the center of the blower access panel on AVG models.

The unit can be positioned for bottom return air in the upflow position, top return air in the downflow position, and right or left return in the horizontal position.

Top and side power wiring and control wiring, accessible screw terminals for control wiring, easy to install drain connections and electric heaters all combine to make the installation easy, and minimize installation cost.

## SECTION II: SAFETY



This is a safety alert symbol. When you see this symbol on labels or in manuals, be alert to the potential for personal injury.

Understand and pay particular attention to the signal words **DANGER**, **WARNING**, or **CAUTION**.

**DANGER** indicates an **imminently** hazardous situation, which, if not avoided, **will result in death or serious injury**.

**WARNING** indicates a **potentially** hazardous situation, which, if not avoided, **could result in death or serious injury**.

**CAUTION** indicates a potentially hazardous situation, which, if not avoided **may result in minor or moderate injury**. It is also used to alert against unsafe practices and hazards involving only property damage.

### WARNING

*Improper installation may create a condition where the operation of the product could cause personal injury or property damage.*

*Improper installation, adjustment, alteration, service or maintenance can cause injury or property damage. Refer to this manual for assistance or for additional information, consult a qualified contractor, installer or service agency.*

### CAUTION

*This product must be installed in strict compliance with the installation instructions and any applicable local, state, and national codes including, but not limited to building, electrical, and mechanical codes.*

### WARNING

**FIRE OR ELECTRICAL HAZARD**

*Failure to follow the safety warnings exactly could result in serious injury, death or property damage.*

*A fire or electrical hazard may result causing property damage, personal injury or loss of life.*

1. Install this air handler only in a location and position as specified in SECTION III of these instructions.
2. Always install the air handler to operate within the air handler's intended maximum outlet air temperature. Only connect the air handler to a duct system which has an external static pressure within the allowable range, as specified on the air handler rating plate.
3. When an air handler is installed so that supply ducts carry air circulated by the air handler to areas outside the space containing the air handler, the return air shall also be handled by duct(s) sealed to the air handler casing and terminating in the space to be cooled/heated.
4. The air handler is not to be used for temporary heating of buildings or structures under construction.
5. The size of the unit should be based on an acceptable heat loss or gain calculation for the structure. ACCA, Manual J or other approved methods may be used.

### SAFETY REQUIREMENTS

1. This air handler should be installed in accordance with all national and local building/safety codes and requirements, local plumbing or wastewater codes, and other applicable codes.
2. Refer to the unit rating plate for the air handler model number, and then see the dimensions page of this instruction for supply air plenum dimensions in Figure 3. The plenum must be installed according to the instructions.
3. Provide clearances from combustible materials as listed under Clearances to Combustibles.
4. Provide clearances for servicing ensuring that service access is allowed for electric heaters and blower.
5. Failure to carefully read and follow all instructions in this manual can result in air handler malfunction, death, personal injury and/or property damage.
6. Check the rating plate and power supply to be sure that the electrical characteristics match.
7. Air handler shall be installed so the electrical components are protected from water.
8. Installing and servicing heating/cooling equipment can be hazardous due to the electrical components. Only trained and qualified personnel should install, repair, or service heating/cooling equipment. Untrained service personnel can perform basic maintenance functions such as cleaning and replacing the air filters. When working on heating/cooling equipment, observe precautions in the manuals and on the labels attached to the unit and other safety precautions that may apply.
9. These instructions cover minimum requirements and conform to existing national standards and safety codes. In some instances these instructions exceed certain local codes and ordinances, especially those who have not kept up with changing residential and non-HUD modular home construction practices. These instructions are required as a minimum for a safe installation.

### INSPECTION

As soon as a unit is received, it should be inspected for possible damage during transit. If damage is evident, the extent of the damage should be noted on the carrier's freight bill. A separate request for inspection by the carrier's agent should be made in writing. Also, before installation the unit should be checked for screws or bolts, which may have loosened in transit. There are no shipping or spacer brackets which need to be removed.

Also check to be sure all accessories such as heater kits, suspension kits, and coils are available. Installation of these accessories or field conversion of the unit should be accomplished before setting the unit in place or connecting any wiring, electric heat, ducts or piping.

### LIMITATIONS

These units must be wired and installed in accordance with all national and local safety codes.

Voltage limits are as follows:

Air Handler Voltage	Voltage code	<sup>1</sup> Normal Operating Voltage Range
208/230-1-60	06	187-253

1. Rated in accordance with ARI Standard 110, utilization range "A".

Airflow must be within the minimum and maximum limits approved for electric heat, evaporator coils and outdoor units.

Entering Air Temperature Limits			
Wet Bulb Temp. °F		Dry Bulb Temp. °F	
Min.	Max.	Min.	Max.
57	72	65	95

## SECTION III: UNIT INSTALLATION

### CLEARANCES

Clearances must be taken into consideration, and provided for as follows:

1. Refrigerant piping and connections - minimum 12" recommended.
2. Maintenance and servicing access - minimum 36" from front of unit recommended for blower motor/coil replacement.
3. Condensate drain lines routed to clear filter and panel access.
4. Filter removal - minimum 36" recommended.
5. The ductwork and plenum connected to this unit are designed for zero clearance to combustible materials.
6. A combustible floor base accessory is available for downflow applications of this unit, if required by local code.

### LOCATION

Location is usually predetermined. Check with owner's or dealer's installation plans. If location has not been decided, consider the following in choosing a suitable location:

1. Select a location with adequate structural support, space for service access, clearance for air return and supply duct connections.
2. Use hanging brackets to wall mount this single piece air handler unit, is not recommended.
3. Normal operating sound levels may be objectionable if the air handler is placed directly over some rooms such as bedrooms, study, etc.
4. Select a location that will permit installation of condensate line to an open drain or outdoors allowing condensate to drain away from structure.

## NOTICE

*The primary and secondary drain line must be trapped to allow proper drainage of condensate water. If the secondary drain line is not used, it must be capped. The coil is provided with a secondary drain. It should be piped to a location that will give the occupant a visual warning that the primary drain is clogged. If the secondary drain is not used it must be capped.*

5. Proper electrical supply must be available.
6. If unit is located in an area of high humidity (ie: an unconditioned garage or attic), nuisance sweating of casing may occur. On these installations, unit duct connections and other openings should be properly sealed and a wrap of 2" fiberglass insulation with vinyl vapor barrier should be used.

**CAUTION**

When an evaporator coil is installed in an attic or above a finished ceiling, an auxiliary drain pan should be provided under the coil as is specified by most local building codes.

**NOTICE**

In severe high humidity, high temperature indoor unit environments, an accessory insulation blanket is available to supplement the standard cabinet insulation. Insulate with UPG Kit: 1VJ0117 for B cabinets, 1VJ0121 for C cabinets or 1VJ0124 on D cabinets or seal completely with adequate fiberglass insulation using vapor barrier on the outside.

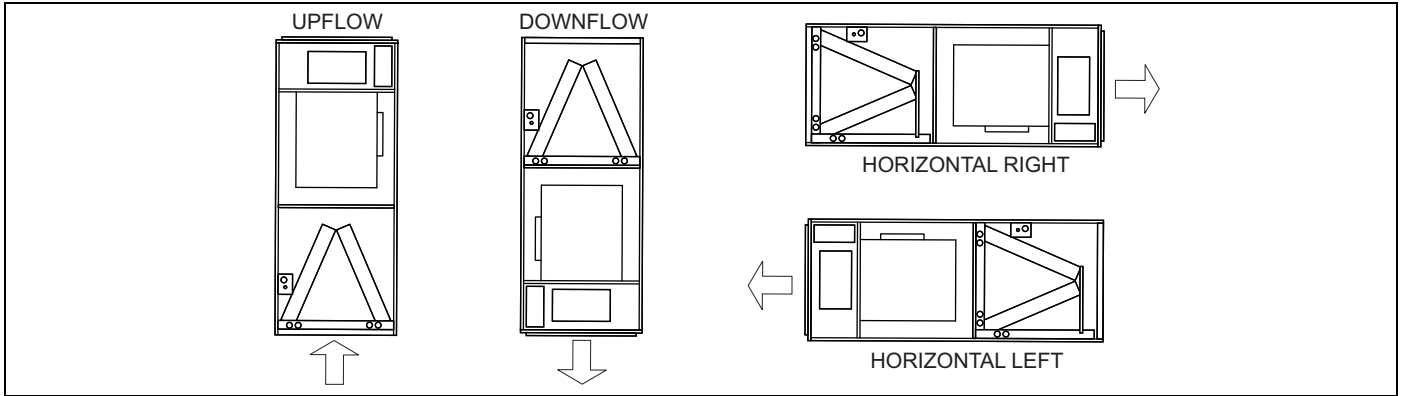


FIGURE 1: Typical Installation

**DOWNFLOW AND HORIZONTAL CONVERSION (AV ONLY)**

These air handler units are supplied ready to be installed in a upflow and right hand horizontal position. If unit requires left hand positioning, the unit must have the coil assembly repositioned.

1. Remove blower, coil, and filter access panels.

**NOTICE**

Conversion must be made before brazing the refrigerant connections to the coil.

For downflow and horizontal left installations, follow steps 2 - 8.

2. Remove tubing connection panel.
3. Remove front drain pan, hold down bracket.
4. Slide coil assembly out of air handler.
5. Rotate cabinet 180° so blower outlet is facing down.

6. Re-install coil assembly on downflow bracket.
7. Re-attach front drain pan, hold down bracket.
8. Re-attach tubing connection panel.
9. For horizontal applications, rotate air handler 90° into desired orientation.
10. Re-position drain plugs as necessary based on air handler orientation.
11. Re-position and replace access panels.
12. For downflow installations, the cladding should be reconfigured so that the grille and circuit breaker covers having logos and/or black coloring are at the top of the unit on the coil access panel. See below.
13. Apply branding label to air handler in recessed area provided on blower access panel cladding. This label should be applied after the air handler is placed in its proper orientation so the label is right side up.

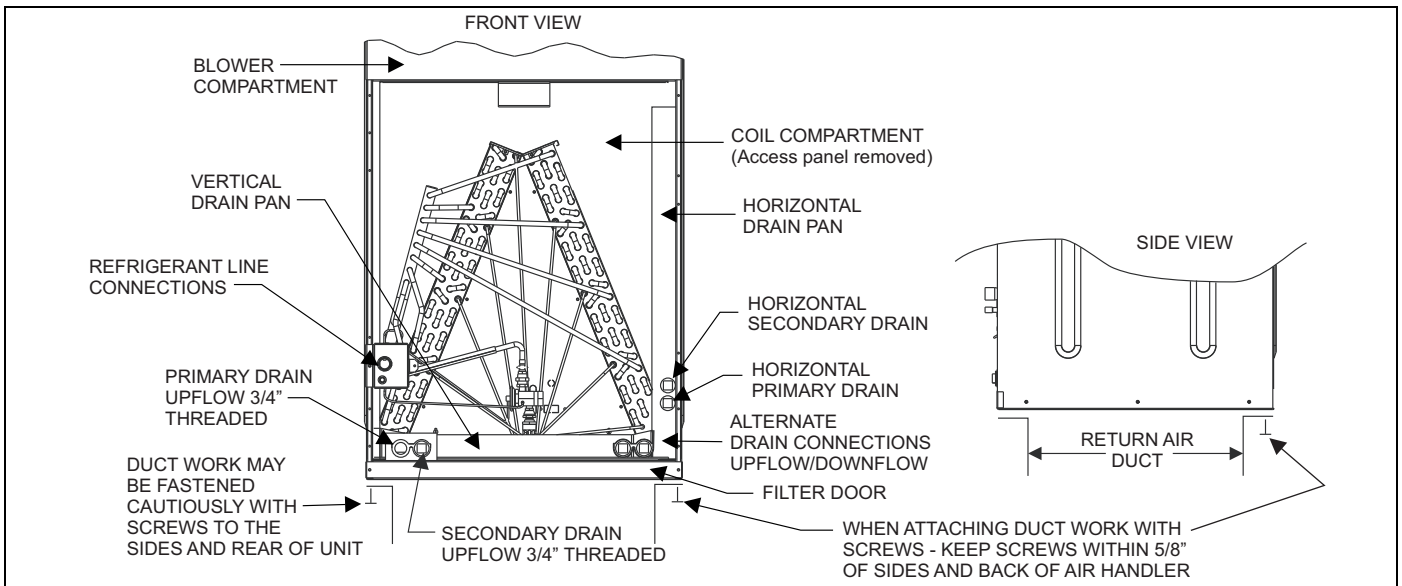


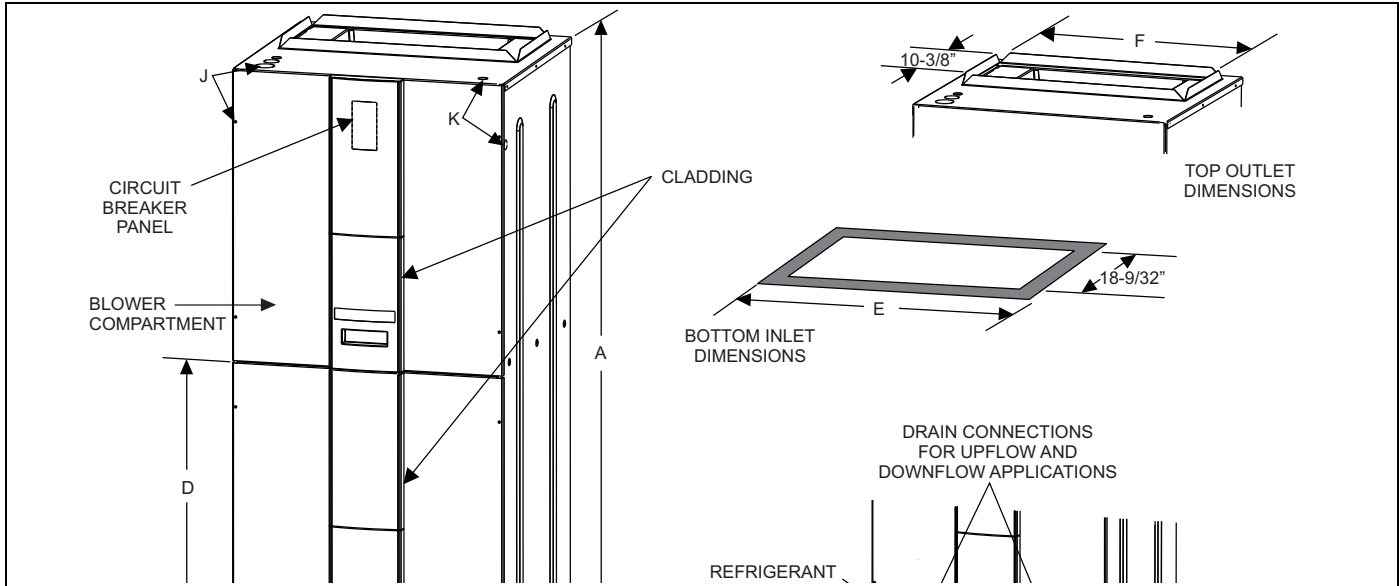
FIGURE 2: Return Duct Attachment & Component Location

**CLADDING CONFIGURATION FOR DOWNFLOW INSTALLATION (IF USED)**

To reconfigure the cladding parts, remove the grille by pulling gently at the top. Once the grille is removed, the circuit breaker cover can also be removed. Remove the gray, non-branded grille and circuit breaker cover from the cladding on the coil access panel. Next, remove the black and/or branded grille and circuit breaker cover from the blower access panel. Install these pieces into the coil access panel cladding so they are at the top of the air handler. Install the gray, non-branded grille and circuit breaker cover in the blower access panel cladding.

**NOTICE**

*If a heat kit with a circuit breaker is installed in the air handler, the circuit breaker cover cladding must be removed to gain access to the sheet metal cover plate. Some local codes may require that the circuit breaker remain visible. If so, do not re-install circuit breaker cover cladding.*



**FIGURE 3:** Dimensions & Duct Connection Dimensions

**TABLE 1:** Dimensions

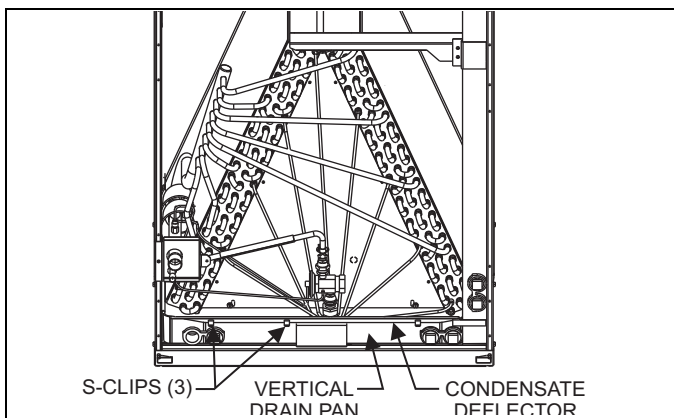
Models AV	Dimensions (Inches)						Wiring Knockouts <sup>1</sup>		Refrigerant Connections Line Size	
	A	B	C	D	E	F	J	K	Liquid	Vapor
	Height	Width	Depth				Power	Control		
24B	46	17 1/2	21-1/2	12-3/8	13-29/32	14-19/32	7/8" (1/2") 1 3/8" (1") 1 23/32" (1 1/4")	7/8" (1/2")	3/8"	3/4"
36C	52	21	(w/o cladding)	17-1/8	17-13/32	18-3/32				7/8"
48D	57	24 1/2	22-1/2	22-1/8	20-29/32	21-19/32				7/8"
60D	57	24 1/2	(with cladding)	22-1/8	20-29/32	21-19/32				7/8"

1. Actual size (Conduit size).

**SUCTION FEEDER TUBE CONDENSATE DEFLECTOR**

**UPFLOW OR DOWNFLOW**

No action required. See Figure 4.



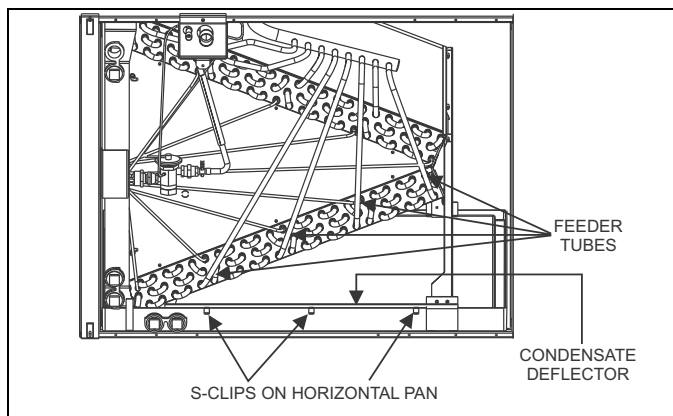
**FIGURE 4:** Condensate Deflector on Vertical Drain Pan

**Horizontal Left or Right**

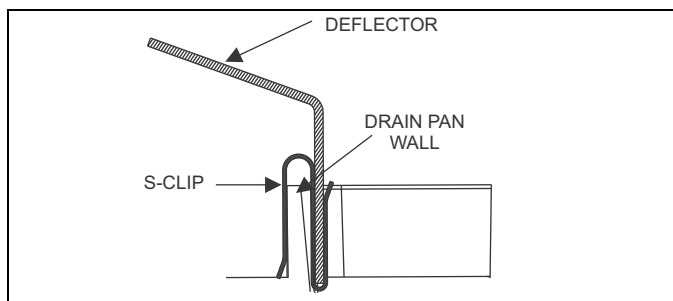
Use an appropriate tool to pry out water deflector with two or three s-clips from the vertical drain pan. See Figure 4. Relocate the deflector with s-clips on the Horizontal Drain Pan lined up to the coil support bracket. See Figure 5. This positions the deflector below the feeder tubes to channel the condensate to the drain pan.

**NOTICE**

*The condensate deflector should be installed in the s-clip section which is inside the drain pan edge. See Figure 6.*



**FIGURE 5:** Condensate Deflector on Horizontal Drain Pan Edge



**FIGURE 6:** S-Clip Installation

## DUCT CONNECTIONS

### **WARNING**

Use 1/2" screws to connect ductwork to bottom of unit. Longer screws will pierce the drain pan and cause leakage. If pilot holes are drilled, drill only through field duct and unit bottom flange.

Air supply and return may be handled in one of several ways best suited to the installation. See Figure 3 for dimensions for duct inlet and outlet connections.

The vast majority of problems encountered with combination heating and cooling systems can be linked to improperly designed or installed duct systems. It is therefore highly important to the success of an installation that the duct system be properly designed and installed.

Use flexible duct collars to minimize the transmission of vibration/noise into the conditioned space. If electric heat is used, non-flammable material must be used.

Where return air duct is short, or where sound may be a problem, sound absorbing glass fiber should be used inside the duct. Insulation of duct work is a must where it runs through an unheated space during the heating season or through an uncooled space during the cooling season. The use of a vapor barrier is recommended to prevent absorption of moisture from the surrounding air into the insulation.

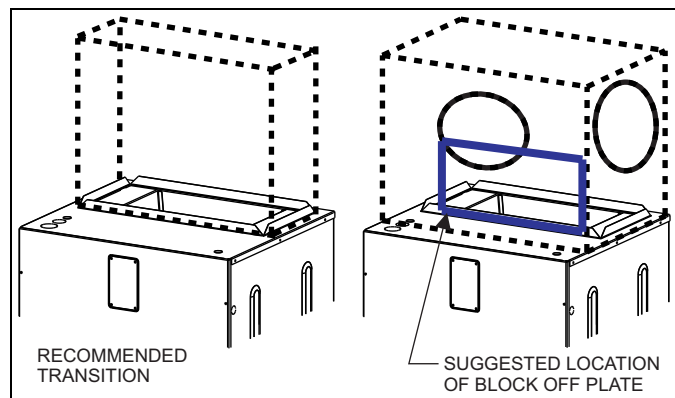
The supply air duct should be properly sized by use of a transition to match unit opening. All ducts should be suspended using flexible hang-

ers and never fastened directly to the structure. This unit is not designed for non-ducted (freeblow) applications. Size outlet plenum or transition to discharge opening sizes shown in Figure 3.

Duct work should be fabricated and installed in accordance with local and/or national codes. This includes the standards of the National Fire Protection Association for Installation of Air-Conditioning and Ventilating Systems, NFPA No. 90B.

## DUCT WORK TRANSITION

Duct work that is not designed to match the supply air opening can cause turbulence inside the plenum box. This turbulence can change the air flow patterns across the heat kit limit switch. If the factory suggested transition can not be fabricated, it is recommended a block off plate (approximately 8" in height and running the full width of the plenum) be attached to the supply opening. Please refer to Figure 7 as a visual aid. The use of this block off plate will keep better air circulation across the limit switch.



**FIGURE 7:** Duct Work Transition

The above suggestions will not alleviate problems caused by improper installation. When receiving intermittent fault codes pertaining to the limit switch, always double check your airflow CFM, motor speed and static pressures.

## AIR FILTERS

Air filters must be field supplied. A 1" filter access rack has been built into the unit. See Figure 3. Remove filter access cover shown. Install proper size filter. Standard 1" size permanent or throw away filter may be used, or, permanent washable filters are available using model numbers: 1PF0601, 602, 603BK. See Table 8 for filter size.

### **CAUTION**

Equipment should never be operated without filters.

## HORIZONTAL SUSPENSION (AV ONLY)

For suspension of these units in horizontal applications, it is recommended to use angle steel support brackets with threaded rods, supporting the units from the bottom, at the locations shown in Figure 8.

When an evaporator coil is installed in an attic or above a finished ceiling, an auxiliary drain pan should be provided under the air handler as is specified by most local building codes.

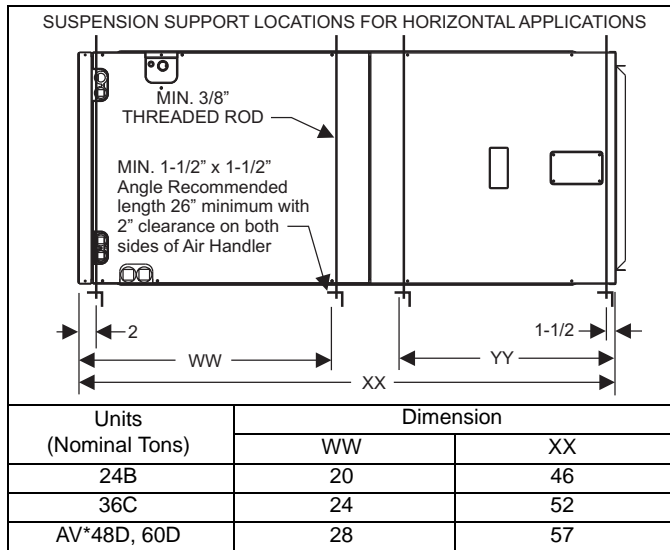


FIGURE 8: Typical Horizontal Installation

TXV METERING DEVICES

If the model (C) number is of the following format: 4F, 4G, 4H, 4J, and 4K will have the coil with R410A TXV metering device installed at the factory.

If the model (C) number is of the 3X model series:

The coil will require an orifice or R410A TXV to be installed in the field. Refer to installation manual with TXV kit. It is recommended to install a orifice or TXV kit prior to brazing line sets.

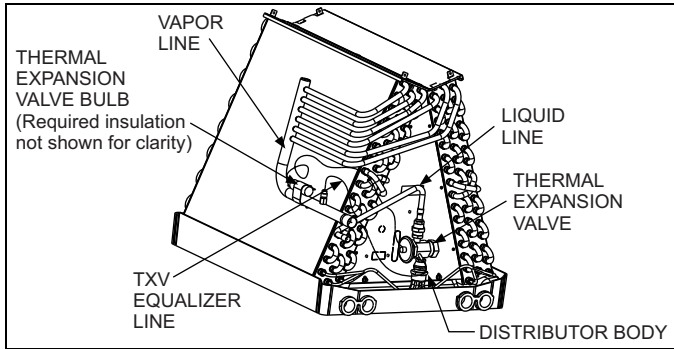


FIGURE 9: TXV

Please refer to Outdoor Unit Tech Guide to verify which metering device is installed in this coil and that this is a valid system match for the AC or HP unit installed.

The temperature sensing bulb is attached to the coil suction header line.

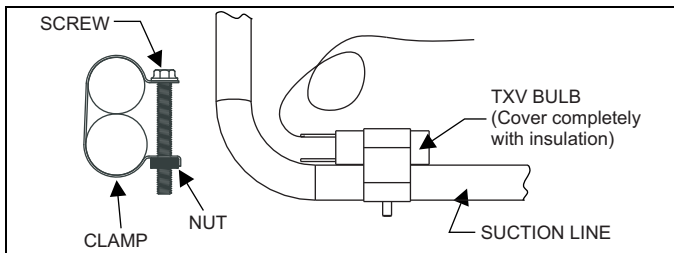


FIGURE 10: Proper Bulb Location

**CAUTION**

**COIL UNDER PRESSURE.**

Relieve pressure by depressing schrader core. Coil may have factory installed TXV or may require orifice or TXV to be added. See outdoor unit documentation for correct orifice or TXV to be used. Refer to coil nameplate for TXV identification for this unit.

**NOTICE**

The coil should be open to the air for no more than 2 minutes to keep moisture and contaminants from entering the system. If the coil cannot be installed into the refrigeration system in that time, the ends should be temporarily closed or plugged. For a short term delay, use masking tape over the ends of the copper tubing to close the tube to the air. For a longer term delay, use plugs or caps. There is no need to purge the coil if this procedure is followed.

REFRIGERANT LINE CONNECTION

**CAUTION**

Coil is under inert gas pressure. Relieve pressure from coil by depressing schrader core.

**CAUTION**

Dry nitrogen should always be supplied through the tubing while it is being brazed, because the temperature required is high enough to cause oxidation of the copper unless an inert atmosphere is provided. The flow of dry nitrogen should continue until the joint has cooled. Always use a pressure regulator and safety valve to insure that only low pressure dry nitrogen is introduced into the tubing. Only a small flow is necessary to displace air and prevent oxidation.

Connect lines as follows:

**NOTICE**

Route the refrigerant lines to the coil in a manner that will not obstruct service access to the coil, air handling system, or filter.

1. Suction and liquid line connections are made outside the cabinet. Leave the tubing connection panel attached to the cabinet with the tubes protruding through it. Coil access panel should be removed for brazing. The lines are swaged to receive the field line set tubes.
2. Cut the end of the suction tube using a tube cutter. Place the tube cutter as close as possible to the end of the tube to allow more space for the connection and brazing of the suction line.
3. Remove the heat shield from the Customer Packet, soak in water, and install over coil tubing to prevent overheating of cabinet.
4. Wrap a water soaked rag around the coil connection tubes inside the cabinet to avoid damaging the TXV bulb.
5. Remove grommets where tubes exit the cabinet to prevent burning them during brazing.
6. Purge refrigerant lines with dry nitrogen. Follow outdoor unit brazing instructions.
7. Braze the suction and liquid lines.
8. Remove the heat shield.
9. Re-attach the grommets to the lines carefully to prevent air leakage.
10. Attach the coil access panel to the cabinet.

Refer to Outdoor unit Installation Manual for evacuation, leak check and charging instructions.

Lines should be sound isolated by using appropriate hangers or strapping.

All evaporator coil connections are copper-to-copper and should be brazed with a phosphorous-copper alloy material such as Silfos-5 or equivalent. DO NOT use soft solder.



**CONVENTIONAL LOW VOLTAGE CONTROL WIRING (24 VAC)**

The 24 volt power supply is provided by an internally wired low voltage transformer which is standard on all models. However, if the unit is connected to a 208 volt power supply, the low voltage transformer must be rewired to the 208 volt tap. See the unit wiring label.

Field supplied low voltage wiring can exit the unit on the top right hand corner or the right hand side panel. Refer to Figure 3.

Remove desired knockout and pierce foil faced insulation to allow wiring to pass through. Use as small of a hole as possible to minimize air leakage.

Install a 7/8" plastic bushing in the selected hole and keep low voltage wiring as short as possible inside the control box.

To further minimize air leakage, seal the wiring entry point at the outside of the unit.

The field wiring is to be connected at the screw terminals of the control board. Refer to Figure 11 and 12.

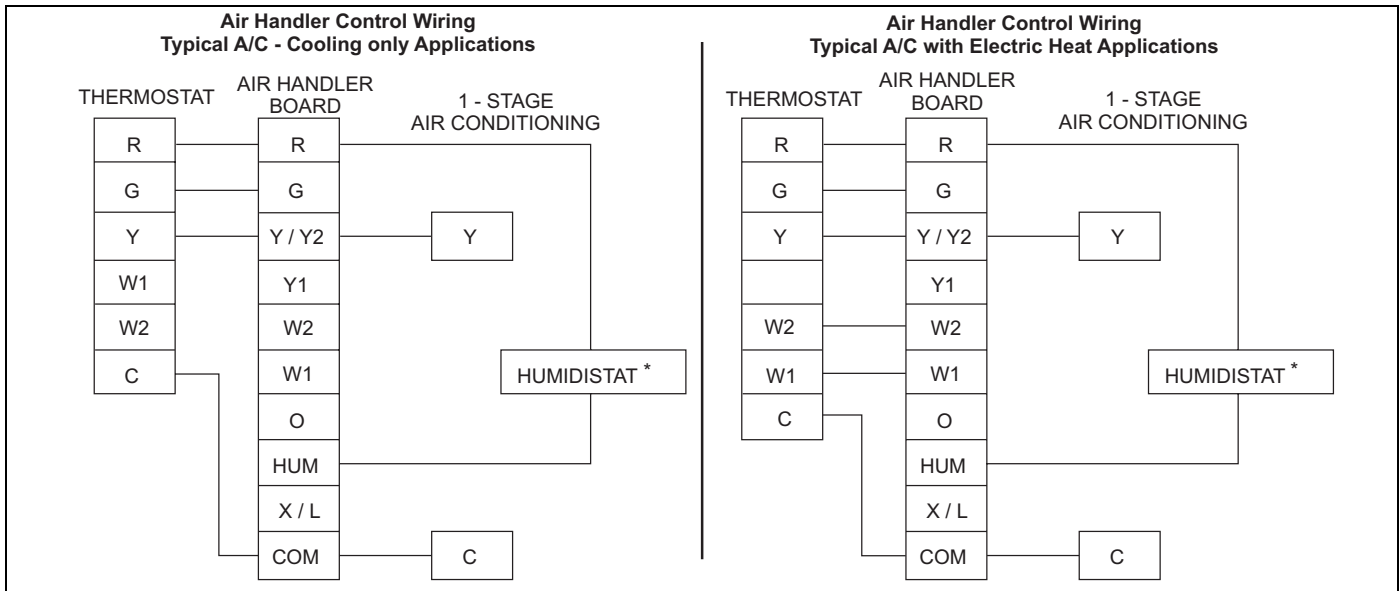
<b>NOTICE</b>
<i>.All wiring must comply with local and national electrical code requirements. Read and heed all unit caution labels.</i>

<b>NOTICE</b>
<i>It is possible to vary the amount of electric heat turned on during the defrost cycle of a heat pump. Standard wiring will only bring on the first stage of electric heat during defrost. See Heat Output and Limit Connections and Table 5 for additional information on heat during defrost cycle.</i>

**TABLE 2: Low Voltage Connections**

Terminal	Signal	Comment
R	24 VAC power (fused)	
G	Continuous Fan operation	
Y/Y2	Second or full stage compressor operation	
Y1	First stage compressor operation	Not used with outdoor units having one stage compressors.
W2	Second stage heat operation	
W1	First stage heat operation	
O	Reversing valve operation	24 VAC will be present at this terminal when the MODE jumper is in the AC position. This is normal.
HUM	Humidity switch input	24 VAC will be present at this terminal when the HUM STAT jumper is in the NO position. This is normal.
X/L	Connection point for heat pump fault indicator	This terminal is a connection point only and does not affect air handler control operation.
COM	24 VAC common	

The low voltage connections may be connected to the screw terminals or the quick connect terminals. The screw terminals and the quick connect terminals are physically connected on the control board.



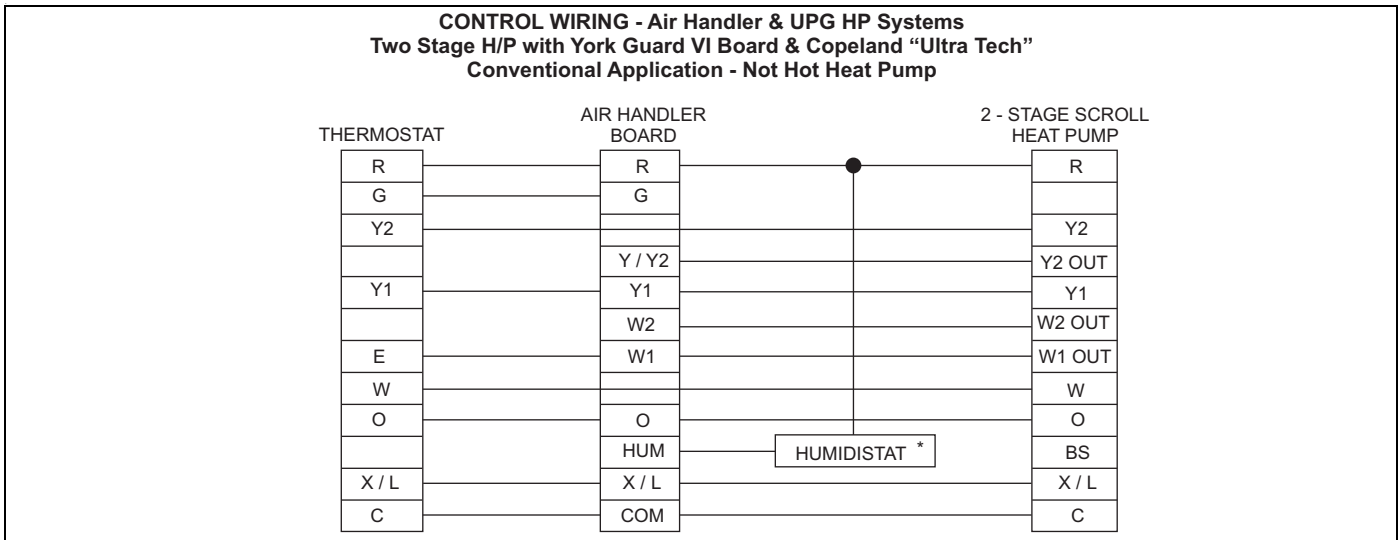
**FIGURE 12: Cooling Models with and without Electric Heat Wiring**

\* Optional dehumidification humidistat switch contacts open on humidity rise.

**NOTES:**

1. "Y/Y2" Terminal on air handler control board must be connected for full CFM and applications requiring 60 second blower off delay for SEER enhancement.
2. Remove humidistat jumper on air handler control board.
3. For heat pump applications - set MODE jumper on air handler control board to the HP position.
4. To change quantity of heat during HP defrost cycle - reverse connections at W1 and W2 on air handler control board.





**FIGURE 13:** Two-Stage Heat Pump Wiring

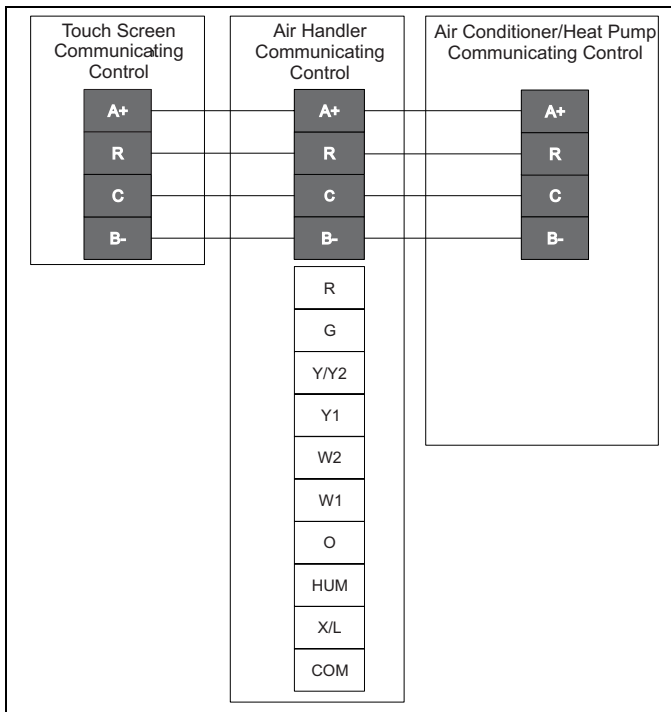
\* Optional dehumidification humidistat switch contacts open on humidity rise.

**NOTES:**

1. "Y/Y2" Terminal on air handler control board must be connected for full CFM and applications requiring 60 second blower off delay for SEER enhancement.
2. Remove humidistat jumper on air handler control board.
3. For heat pump applications - set MODE jumper on air handler control board to the HP position.
4. To change quantity of heat during HP defrost cycle - reverse connections at W1 and W2 on air handler control board

**CONTROL WIRING USING COMMUNICATING CONTROLS**

Use the wiring diagram below to connect the air handler control, Communicating Control (wall thermostat) and communicating outdoor unit. Be sure that all of the "A" terminals are connected together, all of the "B" terminals are connected together, all of the "GND" or "C" terminals are connected together and all of the "R" terminals are connected together. See Figure 13. When using a fully communicating system, the large screw terminals (C, G, R, etc.) on the air handler control are not used. The four small screw terminals in the terminal block on the end of the air handler control should be used.



**FIGURE 14:** Air Handler with Communicating AC or HP

**HUMIDITY SWITCH INPUT**

The air handler control is designed to work with a humidity control that closes when the humidity is below the set-point. The control is open when the humidity is above the set-point. This humidity control may be referred to as a humidistat or a dehumidistat.

The humidity switch controls both humidification and de-humidification operation of the control. The control provides humidification using the HUM OUT relay output and de-humidification by lowering the blower speed. This is accomplished using the de-humidification input of the motor for variable speed models. The humidity switch should be connected to the R and HUM terminals of the control. See Figures 11 and 12.

The 24 volt power supply is provided by an internally wired low voltage transformer which is standard on all models, However, if the unit is connected to a 208 volt power supply, the low voltage transformer must be rewired to the 208 volt tap. See the unit wiring label.

Field supplied low voltage wiring can exit the unit on the top right hand corner or the right hand side panel. Refer to Figure 3.

Remove desired knockout and pierce foil faced insulation to allow wiring to pass through. Use as small of a hole as possible to minimize air leakage.

Install a 7/8" plastic bushing in the selected hole and keep low voltage wiring as short as possible inside the control box.

To further minimize air leakage, seal the wiring entry point at the outside of the unit.

The field wiring is to be connected at the screw terminals of the control board. Refer to Figures 11 or 12.

**NOTICE**

*All wiring must comply with local and national electrical code requirements. Read and heed all unit caution labels.*

**NOTICE**

*It is possible to vary the amount of electric heat turned on during the defrost cycle of a heat pump. Standard wiring will only bring on the first stage of electric heat during defrost. See Heat Output and Limit Connections and Table 5 for additional information on heat during defrost cycle.*

The low voltage connections may be connected to the screw terminals or the quick connect terminals. The screw terminals and the quick connect terminals are physically connected on the control board.

**TABLE 3:** Low Voltage Connections

Terminal	Signal	Comment
R	24 VAC power (fused)	
G	Continuous Fan operation	
Y/Y2	Second or full stage compressor operation	
Y1	First stage compressor operation	Not used with outdoor units having one stage compressors.
W2	Second stage heat operation	
W1	First stage heat operation	
O	Reversing valve operation	24 VAC will be present at this terminal when the MODE jumper is in the AC position. This is normal.
HUM	Humidity switch input	24 VAC will be present at this terminal when the HUM STAT jumper is in the NO position. This is normal.
X/L	Connection point for heat pump fault indicator	This terminal is a connection point only and does not affect air handler control operation.
COM	24 VAC common	

## SECTION VI: REQUIRED CONTROL SET-UP

### IMPORTANT

*The following steps must be taken at the time of installation to insure proper system operation.*

1. Consult system wiring diagram to determine proper thermostat wiring for your system.
2. If heat kit is installed, change HEAT/NO HEAT jumper from NO HEAT to HEAT position.
3. If a humidistat is installed, change HUM STAT jumper from NO to YES.
4. Set the MODE jumper to A/C (Air Conditioner) or HP (Heat Pump) position depending on the outdoor unit included with the system.
5. Set airflow and comfort setting jumper to proper positions.

## FUNCTIONALITY AND OPERATION

### Jumper Positions

#### HEAT/NO HEAT Jumper

The HEAT/NO HEAT jumper configures the control for heat kit operation. The jumper must be in the HEAT position if a heat kit is installed with the air handler.

With the jumper in the NO HEAT position, the control will not energize the heat relay outputs or sense the limit switch input.

If the jumper is not present, the control will operate as if the jumper is in the HEAT position. If the jumper is not present and a heat kit is not present, the control will sense an open limit condition and the blower will run continuously.

#### Hum Stat Jumper

The HUM STAT jumper configures the control to monitor the humidity switch input. With the jumper in the NO position, the control will energize the HUM terminal with 24 VAC continually. With the jumper in the YES position, the control will monitor the HUM input to control the HUM OUT output to control an external humidifier.

If the jumper is not present, the control will operate as if the jumper is in the YES position.

### Mode Jumper

The MODE jumper configures the control to operate properly with an air conditioner (AC position) or heat pump (HP position). With the jumper in the AC position, the control will energize the O terminal with 24 VAC continually. With the jumper in the HP position, the O input signal is received from the room thermostat.

If the jumper is not present, the control will operate as if the jumper is in the HP position.

### SPARE Jumper

The control includes a spare jumper that can be used if a jumper is lost. The SPARE jumper does not have any effect on the operation of the control.

### Airflow and Comfort Setting Jumpers

See separate section.

### Status and Fault Codes

The control includes an LED that displays status and fault codes. These codes are shown in Table 4. The control will display the fault codes until power is removed from the control or the fault condition is no longer present.

**TABLE 4:** Fault Codes

Fault or Status Condition	LED1 (RED) Flash Code
<b>Status</b>	
No power to control	OFF
Normal operation	2s ON/2s OFF
Control in test mode	Rapid Flash
Control failure	ON
<b>Limit Faults</b>	
Limit switch currently open (not in lockout)	1
Multiple limit openings with no call for heat	2
Multiple limit openings during one call for heat	3
Single long duration limit opening	4
Multiple long duration limit openings	5
Fan failure	6
<b>Wiring Related Faults</b>	
Simultaneous call for heating and cooling	7
<b>Internal Control Faults</b>	
Control recovered from internal event	9

### External Relay Outputs

The control includes two outputs to drive external relays having 24 VAC coils. The outputs have a maximum rating of 1.0 Amp pilot duty at 24 VAC.

#### HUM OUT

The HUM OUT output can be used to drive an external relay or solenoid (24 VAC coil) to control a humidifier. The output is energized when the HUM input is energized, the HUM STAT is in the YES position, and the control has a thermostat call for heating (heat pump or electric heat).

#### EAC

The EAC output can be used to drive an external relay (24 VAC coil) to control an electronic air cleaner. The output is energized whenever the blower relay on the control is energized.

### Heat Output and Limit Connections

The control is connected to the heater relays and limit switch using the 6-pin connector. The relay outputs and the limit switch signal are 24 VDC.

The control energizes the heat relays and senses the limit switch input as shown in Table 5 when the HEAT ENABLE jumper is in the HEAT position.

TABLE 5: Heat Relays

Input	Heat Relay Output
W1	HT1
W2	HT1 and HT2
W1 and W2	HT1 and HT2 and HT3

The control energizes the first stage of electric heat immediately, the second stage 10 seconds after the call for second stage heat, and the third stage 20 seconds after the call for third stage heat.

Depending on the heat kit installed in the air handler, the control provides the flexibility to configure the amount of heat delivered with the first stage heating call. As an example, when the control's W1 input is connected to the room thermostat's first stage heat signal, a call for first stage heat will energize one heating element (HT1). If the control's W2 input is connected to the room thermostat's first stage heat signal, a call for first stage heat will energize two heating elements (HT1 and HT2). With either configuration, the control will energize three heating elements (HT1, HT2, and HT3) when it receives a first and second stage heat input from the thermostat.

**Limit Switch and Lockout Operation**

**Limit Switch Operation**

If the HEAT ENABLE jumper is in the HEAT position and the limit switch opens (fault code 1), the control will immediately de-energize all electric heat relay outputs and energize the blower (if it wasn't already energized). When the limit switch closes, the control will re-energize electric heat according to the thermostat inputs using normal timings.

**Fan On Lock Condition**

If the limit switch opens multiple times during a single call for electric heat (fault code 3) or if the limit switch opens for a long duration (fault code 4), the control will energize the blower until power is removed from the control. The control will cycle the heat outputs on and off as the limit re-closes and opens. The constant fan operation will signal the homeowner that a problem has occurred and a service call is required.

**Soft Lockout**

If the limit switch opens for a second long duration period during a single call for heat (fault code 5), the control will keep the blower locked on and lock out the heat outputs for one hour. The control will only reset this one hour lockout when the power is removed from the control. After the one hour period has passed, the control will re-energize electric heat according to the thermostat inputs using normal timings. The blower will remain locked on from the first long duration limit opening.

**Hard Lockout**

The control has a hard lockout condition during which the control will keep all heat outputs de-energized until power is removed from the control. The control de-energizes the blower five minutes after entering the hard lockout condition.

If the limit switch closes and re-opens during the one hour soft lockout period, the control will enter a hard lockout condition and continue to indicate a fault code 5.

If the limit switch opens twice when no call for electric heat is present (fault code 2), the control will enter a hard lockout condition.

If the limit switch opens multiple times soon after a soft lockout reset (fault code 6), the control will enter a hard lockout condition.

**Wiring Related Faults**

If the control receives a simultaneous call for heating and cooling (fault code 7), the control will perform both heating and cooling operations.

**SECTION VII: LINE POWER CONNECTIONS**

Power may be brought into the unit through the supply air end of the unit (top when unit is vertical) or the left side panel. Use the hole appropriate to the unit's orientation in each installation to bring conduit from the disconnect. The power lead conduit should be terminated at the electrical control box. Refer to Tables 11, 12, 14 and 15 to determine proper wire sizing. To minimize air leakage, seal the wiring entry point at the outside of the unit.

All electrical connections to air handlers must be made with copper conductors. **Direct connection of aluminum wiring to air handlers is not approved.**

If aluminum conductors are present, all applicable local and national codes must be followed when converting from aluminum to copper conductors prior to connection to the air handler.

If wire other than uncoated (non-plated), 75° C ambient, copper wire is used, consult applicable tables of the National Electric Code (ANSI/NFPA 70). The chosen conductor and connections all must meet or exceed the amperage rating of the overcurrent protector (circuit breaker or fuse) in the circuit.

Additionally, existing aluminum wire within the structure must be sized correctly for the application according to National Electric Code and local codes. Caution must be used when sizing aluminum rather than copper conductors, as aluminum conductors are rated for less current than copper conductors of the same size.

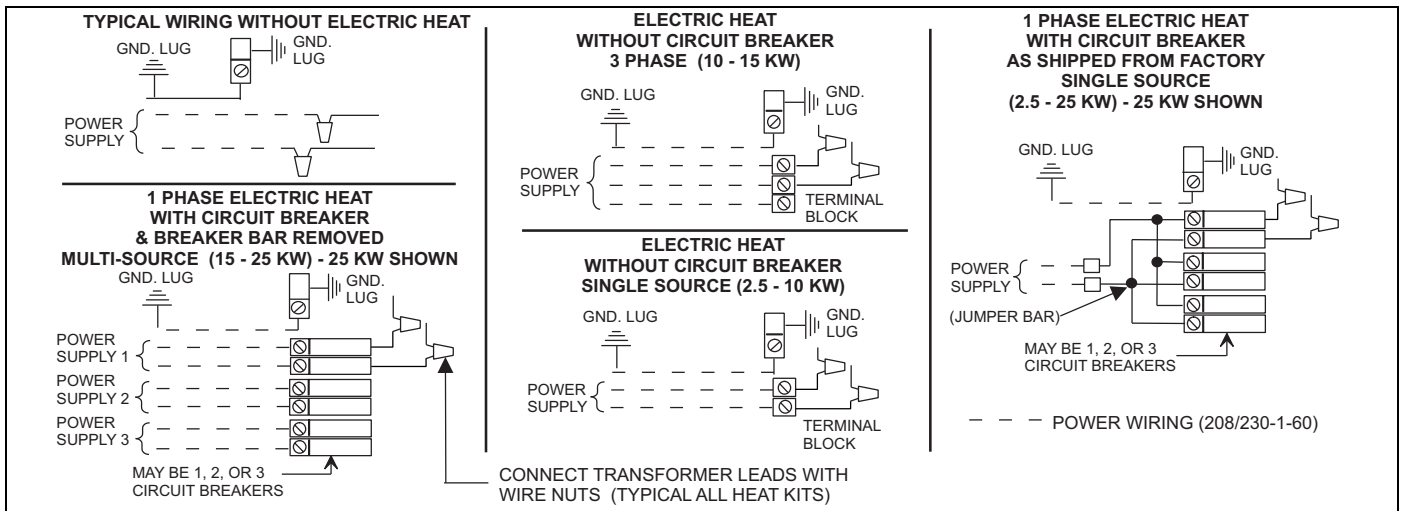


FIGURE 15: Line Power Connections

## SECTION VIII: AIRFLOW AND COMFORT SETTING SELECTION

### AIRFLOW SELECTION

The airflow and comfort setting selection jumpers must be set properly at the time of installation for proper system operation. Place jumpers in the proper locations based on the information shown in Table 16 and Figure 11.

Inputs to air handler control board are passed to the motor which determines the target CFM to be delivered. The following inputs will produce the CFM per the appropriate table and selected tap settings.

### NOTICE

*Incorrect airflow and comfort settings may result in decreased system efficiency and performance.*

These variable speed air handlers are designed to deliver constant airflow (CFM) regardless of the external static pressure (ESP) in the ductwork. Therefore, if too many supply registers are closed, a filter becomes clogged, or there is a restriction in the ductwork, the motor will automatically operate at a higher speed to compensate for the higher ESP. This may result in a higher operating sound level.

#### To Set Cooling Airflow:

Refer to the outdoor unit technical guide for the recommended airflow with the matching evaporator coil. Refer to Table 16 for the possible high speed cooling and heat pump airflow selections.

Find the recommended system airflow in Table 16 for the installed air handler model.

Select the COOL airflow you need from Table 16. Set the COOL and ADJUST Jumpers on the control as indicated in Table 16.

#### To Set Heat Pump Airflow:

The heat pump airflow setting is the same as the cooling airflow setting. No additional airflow setting is required. However, you must set the MODE jumper to the HP position for proper system operation (See Figure 11).

#### To Set Electric W1 Heat Airflow:

The blower speed required for 1st stage electric heat is different than cooling. Refer to Table 16 for the possible CFM selections. Refer to Table 10 for the minimum required airflow for the electric heater installed. Find the desired airflow in Table 16 for low heat. Set the HEAT jumper on the control as indicated in Table 16.

#### To Set W2 Electric Heat Airflow:

Airflow for any W2 input, which is for Stages 2 & 3 of electric heat, is the indicated CFM for high heat tap selection on Table 16.

### CAUTION

*DO NOT change the ADJUST tap position on the control as this will change your cooling airflow previously selected.*

## SECTION IX: UNIT DATA

**TABLE 7:** Physical and Electrical Data - Cooling Only (60 Hz)

Models		24B	36C	48D	60D
Blower - Diameter x Width		10 x 7	10 x 7	10 x 10	10 x 10
Motor	HP	1/3	1/2	3/4	1
	Nominal RPM	1200	1200	1200	1200
Voltage		230			
Amps	Full Load (230)	2.8	4.3	5.5	7.0
	Type	DISPOSABLE OR PERMANENT			
Filter <sup>1</sup>	Size	16 x 20 x1	20 x 20 x1	22 x 20 x1	22 x 20 x1
	Permanent Type Kit	1PF0601BK	1PF0602BK	1PF0603BK	1PF0603BK
Shipping/Operating Weight (lbs.)		140/134	170/164	AV - 196/185	AV - 199/188

1. Field Supplied.

#### Fan Only CFM:

When the connection is made from "R" to "G", the fan only mode is activated. In this mode, the airflow will depend on the position of the CONT Fan jumper. In the "H" position, the blower will deliver 85-90% of full capacity. In the "M" position, the blower will deliver 60-65% of full capacity. In the "L" position, the blower will deliver 30-35% of full capacity.

#### Blower Ramp-Up /Ramp-Down:

To minimize the sound made by the blower when it speeds up or slows down, the blower will slowly ramp up or down from one speed to another. Changes in blower speed during A/C or heat pump heating can take up to 30 seconds. Changes in blower speed during electric strip heating can take up to 15 seconds.

## COMFORT SETTINGS

**TABLE 6:** Comfort Setting Selection

DELAY TAP	COMFORT SETTING
A	Normal
B	Humid
C	Dry
D	Temperate

#### Normal

The normal setting provides a ramp-up from zero airflow to full capacity and a ramp-down from full capacity back to zero airflow.

#### Humid

The humid setting is best-suited for installations where the humidity is frequently very high during cooling season, such as in the southern part of the country. On a call for cooling, the blower will ramp up to 50% of full capacity and will stay there for two minutes, then will ramp up to 82% of full capacity and will stay there for five minutes, and then will ramp up to full capacity, where it will stay until the wall thermostat is satisfied.

#### Dry

The dry setting is best suited to parts of the country where excessive humidity is not generally a problem, where the summer months are usually dry. On a call for cooling the motor will ramp up to full capacity and will stay there until the thermostat is satisfied. At the end of the cooling cycle, the blower will ramp down to 50% of full capacity where it will stay for 60 seconds. Then it will ramp down to zero.

#### Temperate

The temperate setting is best suited for most of the country, where neither excessive humidity nor extremely dry conditions are the norm. On a call for cooling, the motor will ramp up to 63% of full capacity and will stay there for 90 seconds, then will ramp up to full capacity. At the end of the cooling cycle, the motor will ramp down to 63% of full capacity and will stay there for 30 seconds, then will ramp down to zero.

**TABLE 8:** Electrical Data - Cooling Only (60 Hz)

Models	Total Motor Amps		Minimum Circuit Ampacity		Max. O.C.P. Amps/Type <sup>1</sup>	Minimum Wire Size A.W.G.
	60 Hertz		60 Hertz			
	208V	230V	208V	230V		
24B	3.2	2.8	4.0	3.5	15	14
36C	4.7	4.3	5.9	5.4	15	14
48D	6.1	5.0	7.6	6.9	15	14
60D	7.8	7.0	9.7	8.8	15	14

1. OCP = Over Current Protection device, must be HACR type Circuit Breaker or Time Delay fuse.

**TABLE 9:** Conversion Table

kW & MBH Conversions - for Total Power Input Requirement					
FOR	208V	OPERATION MULTIPLY	240V	TABULATED kW & MBH BY	.751
	230V		240V		.918
	220V		240V		.840

**TABLE 10:** Electrical Data - 208/230-1-60

Models	Heater Models*	Max. Static	Min. Speed Tap	Total Heat <sup>1</sup>				kW Staging					
				kW		MBH		W1 Only		W2 Only		W1 & W2	
				208v	230v	208v	230v	208v	230v	208v	230v	208v	230v
24B	4HK*6500206	0.5	Heat-D	1.9	2.5	6.4	8.5	1.9	2.5	1.9	2.5	1.9	2.5
	4HK*6500506	0.5	Heat-D	3.6	4.8	12.3	16.4	3.6	4.8	3.6	4.8	3.6	4.8
	4HK*6500806	0.5	Heat-C	5.6	7.5	19.2	25.6	2.8	3.75	5.6	7.5	5.6	7.5
	4HK*6501006	0.5	Heat-B	7.2	9.6	24.6	32.8	3.6	4.8	7.2	9.6	7.2	9.6
	4HK16501306	0.5	Heat A	9.8	13	33.3	44.4	3.3	4.3	6.5	8.7	9.8	13
	4HK165N1506	0.5	Heat-A	10.8	14.4	36.9	49.1	3.6	4.8	7.2	9.6	10.8	14.4
36C	4HK*6500506	0.5	Heat-C	3.6	4.8	12.3	16.4	3.6	4.8	3.6	4.8	3.6	4.8
	4HK*6500806	0.5	Heat-C	5.6	7.5	19.2	25.6	2.8	3.75	5.6	7.5	5.6	7.5
	4HK*6501006	0.5	Heat-C	7.2	9.6	24.6	32.8	3.6	4.8	7.2	9.6	7.2	9.6
	4HK16501306	0.5	Heat C	9.8	13	33.3	44.4	3.3	4.3	6.5	8.7	9.8	13
	4HK16501506	0.5	Heat-C	10.8	14.4	36.9	49.1	3.6	4.8	7.2	9.6	10.8	14.4
	4HK16501806	0.5	Heat-A	13.2	17.6	45.1	60.1	3.3	4.4	6.6	8.8	13.2	17.6
48D	4HK*6500506	0.5	Heat-D	3.6	4.8	12.3	16.4	3.6	4.8	3.6	4.8	3.6	4.8
	4HK*6500806	0.5	Heat-C	5.6	7.5	19.2	25.6	2.8	3.75	5.6	7.5	5.6	7.5
	4HK*6501006	0.5	Heat-C	7.2	9.6	24.6	32.8	3.6	4.8	7.2	9.6	7.2	9.6
	4HK16501306	0.5	Heat C	9.8	13	33.3	44.4	3.3	4.3	6.5	8.7	9.8	13
	4HK16501506	0.5	Heat-C	10.8	14.4	36.9	49.1	3.6	4.8	7.2	9.6	10.8	14.4
	4HK16501806	0.5	Heat-B	13.2	17.6	45.1	60.1	3.3	4.4	6.6	8.8	13.2	17.6
	4HK16502006	0.5	Heat-B	14.4	19.2	49.2	65.5	3.6	4.8	7.2	9.6	14.4	19.2
	4HK16502506	0.5	Heat-B	18.0	24.0	61.5	81.9	3.6	4.8	10.8	14.4	18.0	24
60D	4HK*6500506	0.5	Heat-D	3.6	4.8	12.3	16.4	3.6	4.8	3.6	4.8	3.6	4.8
	4HK*6500806	0.5	Heat-D	5.6	7.5	19.2	25.6	2.8	3.75	5.6	7.5	5.6	7.5
	4HK*6501006	0.5	Heat-C	7.2	9.6	24.6	32.8	3.6	4.8	7.2	9.6	7.2	9.6
	4HK16501306	0.5	Heat C	9.8	13	33.3	44.4	3.3	4.3	6.5	8.7	9.8	13
	4HK16501506	0.5	Heat-C	10.8	14.4	36.9	49.1	3.6	4.8	7.2	9.6	10.8	14.4
	4HK16501806	0.5	Heat-C	13.2	17.6	45.1	60.1	3.3	4.4	6.6	8.8	13.2	17.6
	4HK16502006	0.5	Heat-C	14.4	19.2	49.2	65.5	3.6	4.8	7.2	9.6	14.4	19.2
	4HK16502506	0.5	Heat-C	18.0	24.0	61.5	81.9	3.6	4.8	10.8	14.4	18.0	24.0

1. See conversion Table 9.

\* May be 0 (no breaker) or 1 (with breaker).

**TABLE 11:** Electrical Data - (For Single Source Power Supply) - Copper Wire - 208/230-1-60

Models	Heater Models*	Heater Amps 240V	Field Wiring					
			Min. Circuit Ampacity		Max. O.C.P. Amps/Type <sup>1</sup>		75°C Wire Size - AWG	
			208V	230V	208V	230V	208V	230V
24B	4HK*6500206	10.4	15.28	16.53	20	20	12	12
	4HK*6500506	20.0	25.67	28.50	30	30	10	10
	4HK*6500806	31.3	37.85	42.63	45	45	8	8
	4HK*6501006	40.0	47.33	53.50	50	60	8	6
	4HK16501306	54.2	62.6	71.3	70	80	4	2
	4HK165N1506	60.0	69.00	78.50	70	90	4	3
36C	4HK*6500506	20.0	27.54	30.38	30	35	10	10
	4HK*6500806	31.3	39.73	44.50	45	45	8	8
	4HK*6501006	40.0	49.21	55.38	50	60	8	6
	4HK16501306	54.2	64	72.8	70	80	4	2
	4HK16501506	60.0	70.88	80.38	70	90	4	3
	4HK16501806	73.3	85.32	97.00	90	100	4	3
48D	4HK*6500506	20.0	29.29	31.88	35	35	8	8
	4HK*6500806	31.3	41.48	46.00	45	50	8	8
	4HK*6501006	40.0	50.96	56.88	60	60	6	6
	4HK16501306	54.2	66.4	75.2	70	80	4	2
	4HK16501506	60.0	72.63	81.88	90	90	3	3
	4HK16501806	73.3	87.07	98.50	90	100	3	2
	4HK16502006	80.0	94.29	106.88	100	125	3	1
	4HK16502506	100.0	115.96	131.88	125	150	1	1/0
60D	4HK*6500506	20.0	31.42	33.75	35	35	8	8
	4HK*6500806	31.3	43.60	47.88	45	50	8	8
	4HK*6501006	40.0	53.08	58.75	60	60	6	6
	4HK16501306	54.2	68.4	77.2	70	80	4	2
	4HK16501506	60.0	74.75	83.75	90	90	3	3
	4HK16501806	73.3	89.19	100.38	90	110	3	2
	4HK16502006	80.0	96.42	108.75	100	125	3	1
	4HK16502506	100.0	118.08	133.75	125	150	1	1/0

1. O.C.P. = Over Current Protection device, must be HACR type Circuit Breaker or Time Delay fuse.

\* May be 0 (no breaker) or 1 (with breaker).

**TABLE 12:** Electrical Data - (For Multi-Source Power Supply) - Copper Wire - 208/230-1-60

Models	Heater Models	Min. Circuit Ampacity			Max. O.C.P. Amps/Type <sup>1</sup>			75°C Wire Size - AWG		
		Circuit			Circuit			Circuit		
		1st	2nd	3rd	1st	2nd	3rd	1st	2nd	3rd
		208/230	208/230	208/230	208/230	208/230	208/230	208/230	208/230	208/230
24B	4HK16501306	43.1/48.6	19.5/22.5	–	45/50	20/25	–	6/6	12/10	–
	4HK165N1506	47.5/53.5	21.7/25.0	–	50/60	25/25	–	8/6	10/10	–
36C	4HK16501306	41.7/47.9	22.4/25.0	–	50/50	30/30	–	6/6	12/10	–
	4HK16501506	48.5/55.4	21.7/25.0	–	50/60	25/25	–	8/6	10/10	–
	4HK16501806	44.9/51.2	39.8/45.8	–	45/60	40/50	–	8/8	8/8	–
48D	4HK16501306	42.9/49.1	23.6/26.2	–	50/50	30/30	–	6/6	12/10	–
	4HK16501506	51.0/56.9	21.7/25.0	–	60/60	25/25	–	6/6	10/10	–
	4HK16501806	47.4/52.7	39.8/45.8	–	50/60	40/60	–	6/6	8/6	–
	4HK16502006	51.0/56.9	43.4/50.0	–	60//60	45/50	–	6/6	8/8	–
	4HK16502506	51.0/56.9	43.4/50.0	21.7/25.0	60/60	45/50	25/25	6/6	8/8	10/10
60D	4HK16501306	43.9/50.1	24.6/27.2	–	50/60	30/30	–	6/6	10/10	–
	4HK16501506	53.1/58.8	21.7/25.0	–	60/60	25/25	–	6/6	10/10	–
	4HK16501806	49.5/54.6	39.8/45.8	–	50/60	40/60	–	6/6	8/6	–
	4HK16502006	53.1/58.8	43.4/50.0	–	60/60	45/50	–	6/6	8/8	–
	4HK16502506	53.1/58.8	43.4/50.0	21.7/25.0	60/60	45/50	25/25	6/6	8/8	10/10

1. O.C.P. = Over Current Protection device, must be HACR type Circuit Breaker or Time Delay fuse.

**TABLE 13:** Electrical Data - 208/230-3-60

Models	Heat Kit - Three Phase	Max. Static	Min. Speed Tap	Total Heat <sup>1</sup>				kW Staging					
				kW		MBH		W1 Only		W2 Only		W1 + W2	
				208V	230V	208V	230V	208V	230V	208V	230V	208V	230V
24B	4HK06501025	0.5	Heat-B	7.2	9.6	24.6	32.8	7.2	9.6	7.2	9.6	7.2	9.6
36C	4HK06501025	0.5	Heat-C	7.2	9.6	24.6	32.8	7.2	9.6	7.2	9.6	7.2	9.6
	4HK06501525	0.5	Heat-C	10.8	14.4	36.9	49.1	10.8	14.4	10.8	14.4	10.8	14.4
48D	4HK06501025	0.5	Heat-C	7.2	9.6	24.6	32.8	7.2	9.6	7.2	9.6	7.2	9.6
	4HK06501525	0.5	Heat-C	10.8	14.4	36.9	49.1	10.8	14.4	10.8	14.4	10.8	14.4
	4HK06501825	0.5	Heat-B	12.9	17.2	44.7	58.7	12.9	17.2	12.9	17.2	12.9	17.2
60D	4HK06501025	0.5	Heat-C	7.2	9.6	24.6	32.8	7.2	9.6	7.2	9.6	7.2	9.6
	4HK06501525	0.5	Heat-C	10.8	14.4	36.9	49.1	10.8	14.4	10.8	14.4	10.8	14.4
	4HK06501825	0.5	Heat-B	12.9	17.2	44.7	58.7	12.9	17.2	12.9	17.2	12.9	17.2
	4HK16502525	0.5	Heat-C	18.0	24.0	61.4	81.4	9.0	12.0	18.0	24.0	18.0	24.0

1. See conversion Table 9.

**TABLE 14:** Electrical Data - (For **Single Source** Power Supply) - Copper Wire - 208/230-3-60

Models	Heat Kit - Three Phase	Heater Amps 240V	Field Wiring					
			Min. Circuit Ampacity		Max. O.C.P. <sup>1</sup> Amps/Type		75°C Wire Size - AWG	
			208V	230V	208V	230V	208V	230V
24B	4HK06501025	23.1	28.5	32.4	30	35	10	8
36C	4HK06501025	23.1	30.4	34.3	30	35	10	8
	4HK06501525	34.7	42.9	48.8	45	50	8	8
48D	4HK06501025	23.1	31.3	35.1	35	35	8	8
	4HK06501525	34.7	43.8	49.6	45	50	8	8
	4HK06501825	41.4	51.0	58.0	60	60	6	6
60D	4HK06501025	23.1	33.8	37.6	35	40	8	8
	4HK06501825	41.4	48.8	56.9	50	60	8	6
	4HK06501525	34.7	46.3	52.1	50	60	8	6

1. O.C.P. = Over Current Protection device, must be HACR type Circuit Breaker or Time Delay fuse.

**TABLE 15:** Electrical Data - (For **Multi-Source** Power Supply) - Copper Wire - 208/230-3-60

Models	Heater Model	Minimum Circuit Ampacity			Max. O.C.P. <sup>1</sup> Amps/Type			75°C Wire Size - AWG		
		Circuit								
		1st	2nd	3rd	1st	2nd	3rd	1st	2nd	3rd
		208/230	208/230	208/230	208/230	208/230	208/230	208/230	208/230	208/230
60D	4HK06501825	32.5/36.0	22.4/25.9	–	35/40	25/30	–	8/8	10/10	–
	4HK16502525	41.0/44.9	31.3/36.1	–	45/45	35/40	–	8/8	8/8	–

1. O.C.P. = Over Current Protection device, must be HACR type Circuit Breaker or Time Delay fuse.

TABLE 16: Air Handler Air Flow Data

HIGH/LOW SPEED COOLING AND HEAT PUMP AIRFLOW									
CFM				m <sup>3</sup> /min				JUMPER SETTINGS	
24B		36C		24B		36C		COOL Tap	ADJ Tap
High	Low	High	Low	High	Low	High	Low		
1088	707	1387	905	30.8	20.0	39.3	25.6	A	B
830	542	1151	753	23.5	15.3	32.6	21.3	B	B
948	617	1201	783	26.8	17.5	34.0	22.2	A	A
716	465	1009	657	20.3	13.2	28.6	18.6	B	A
854	556	1086	703	24.2	15.7	30.7	19.9	A	C
612	462	953	622	17.3	13.1	27.0	17.6	C	B
637	460	901	588	18.0	13.0	25.5	16.6	B	C
531	460	754	493	15.0	13.0	21.3	14.0	D	B
542	462	831	540	15.3	13.1	23.5	15.3	C	A
462	462	657	460	13.1	13.1	18.6	13.0	D	A
474	460	751	494	13.4	13.0	21.3	14.0	C	C
461	464	588	461	13.1	13.1	16.6	13.1	D	C
48D		60D		48D		60D		JUMPER SETTINGS	
High	Low	High	Low	High	Low	High	Low	COOL Tap	ADJ Tap
2138	1442	2364	1545	60.5	40.8	66.9	43.7	A	B
1759	1162	1962	1271	49.8	32.9	55.5	36.0	B	B
2009	1311	2123	1374	56.9	37.1	60.1	38.9	A	A
1612	1052	1763	1146	45.6	29.8	49.9	32.4	B	A
1773	1166	1905	1237	50.2	33.0	53.9	35.0	A	C
1530	989	1777	1158	43.3	28.0	50.3	32.8	C	B
1459	947	1580	1021	41.3	26.8	44.7	28.9	B	C
1359	886	1596	1030	38.5	25.1	45.2	29.2	D	B
1388	904	1583	1019	39.3	25.6	44.8	28.8	C	A
1221	806	1413	929	34.6	22.8	40.0	26.3	D	A
1244	808	1412	926	35.2	22.9	40.0	26.2	C	C
1118	715	1277	841	31.6	20.2	36.2	23.8	D	C
HIGH/LOW SPEED ELECTRIC HEAT AIRFLOW									
CFM				m <sup>3</sup> /min				JUMPER SETTINGS	
24B		36C		24B		36C		HEAT Tap	ADJ Tap
High	Low	High	Low	High	Low	High	Low		
1088	828	1387	908	30.8	23.4	39.3	25.7	A	Any
954	714	1228	804	27.0	20.2	34.8	22.8	B	Any
829	614	1151	756	23.5	17.4	32.6	21.4	C	Any
678	523	923	609	19.2	14.8	26.1	17.2	D	
48D		60D		48D		60D		JUMPER SETTINGS	
High	Low	High	Low	High	Low	High	Low	HEAT Tap	ADJ Tap
2111	1417	2363	1488	59.8	40.1	66.9	42.1	A	Any
1858	1252	2174	1252	52.6	35.4	61.5	35.4	B	Any
1480	985	1868	1061	41.9	27.9	52.9	30.0	C	Any
1250	840	1387	823	35.4	23.8	39.3	23.3	D	Any

- Airflow at nominal voltage, bottom return at 0.5 external static pressure, tested without filter installed, dry coil conditions.
- These units have variable speed motors that automatically adjust to provide constant CFM from 0.0" to 0.6" w.c. static pressure
- From 0.6" to 1.0" static pressure, CFM is reduced by 2% per 0.1" increase in static.
- Operation on duct systems with greater than 1.0" w.c. external static pressure is not recommended.
- Both the COOL and the ADJUST tap must be set to obtain the cooling airflow desired (CFM).
- The ADJ tap does not affect the HEAT tap setting.
- Low speed cooling used only with two stage outdoor units. (Speed is preset to 65% of high speed).
- Dehumidification speed is 85% of jumper selected COOL tap and ADJUST tap.
- When operating in both heat pump and electric heat modes, the airflow (CFM) will be per HEAT Tap CFM values only.
- At some settings, LOW COOL and/or LOW HEAT airflow may be lower than what is required to operate an airflow switch on certain models of electronic air cleaners. Consult the instructions for the electronic air cleaner for further details.
- Airflow (CFM) indicator light (LED2) flashes once for every 100 CFM (i.e.: 12 Flashes is 1200 CFM) – blinks are approximate +/- 10% of actual CFM.



---

## SECTION X: MAINTENANCE

Filters must be cleaned or replaced when they become dirty. Inspect at least once per month. The frequency of cleaning depends upon the hours of operation and the local atmospheric conditions. Clean filters keep unit efficiency high.

### COIL CLEANING

If the coil needs to be cleaned or replaced, it should be washed with Calgon CalClean (mix one part CalClean to seven parts water). Allow solution to remain on coil for 30 minutes before rinsing with clean water. Solution should not be permitted to come in contact with painted surfaces.

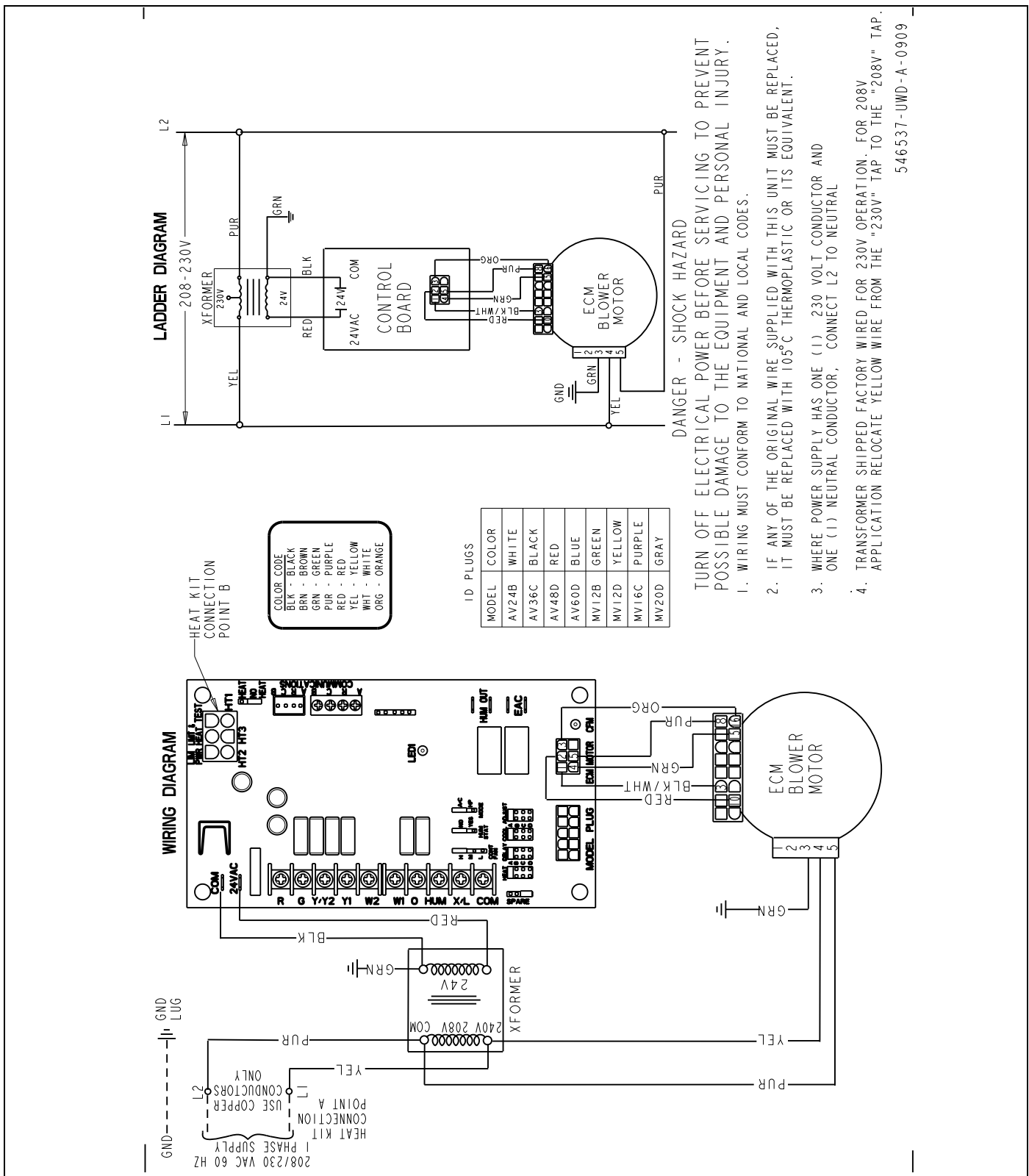
### LUBRICATION

The bearings of the blower motor are permanently lubricated.

### CONDENSATE DRAINS

During the cooling season check the condensate drain lines to be sure that condensate is flowing from the primary drain but not from the secondary drain. If condensate ever flows from the secondary drain the unit should be promptly shut off and the condensate pan and drains cleaned to insure a free flowing primary drain.

# SECTION XI: WIRING DIAGRAM



**FIGURE 16:** Wiring Diagram