



TECHNICAL SERVICE

Johnson Controls Unitary Products
5005 York Drive
Norman, OK 73069
877-874-7378

Date: July 29, 2011

ST-002-11

To: All York Distributors
All York Branches
All Field Service Supervisors

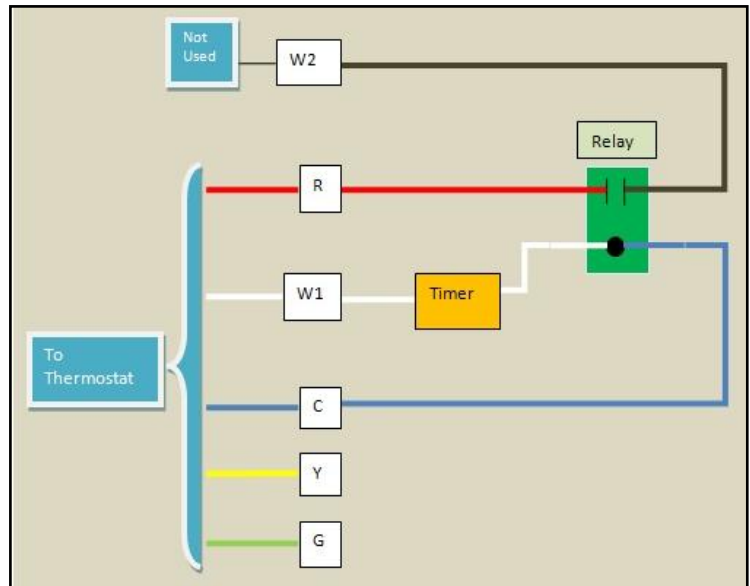
Subject: Affinity Gas Pack Two-Stage with Single Stage Thermostat

Units: D*NQ***D, D*NZ***D, D*NX***D, D*NY***D

Since the release of the two stage gas package unit, there has been some confusion concerning the connection of a single-stage stat.

The ignition control boards were originally designed to operate with a PSC indoor motor using an auto-staging feature built into the board by simply jumping R to W2. The X-13 and ECM indoor motors use the low voltage signal to operate the control portion of the motor, therefore not allowing the auto-staging feature to be used.

To use a single stage stat with a two stage gas package unit that incorporates an X-13 or ECM motor, a field installed timer and relay should be used to initiate second stage heat after 10 minutes of first stage heat operation.



Parts can be purchased through Source 1:

Timer: S1-ICM102F, Delay on Make, Adjustable

Relay: S1-S90-290Q, 24 V Coil, SPST – N.O.

For questions regarding this letter, please contact your local distributor service manager.

Sincerely,

Ken Blakley
Regional Technical Service Manager
Johnson Controls Unitary Products

Steve Cherry
Director, Commercial Engineering
Johnson Controls Unitary Products